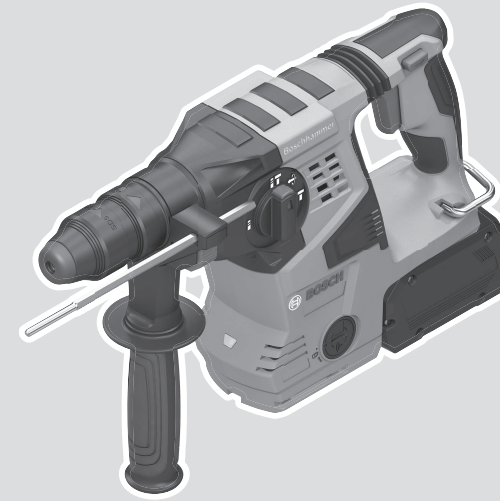




 **BOSCH**

GBH Professional HEAVY DUTY

18V-28 C | 18V-28 CF



Robert Bosch Power Tools GmbH
70538 Stuttgart
GERMANY

www.bosch-pt.com

1 609 92A 8H0 (2023.03) PS / 119

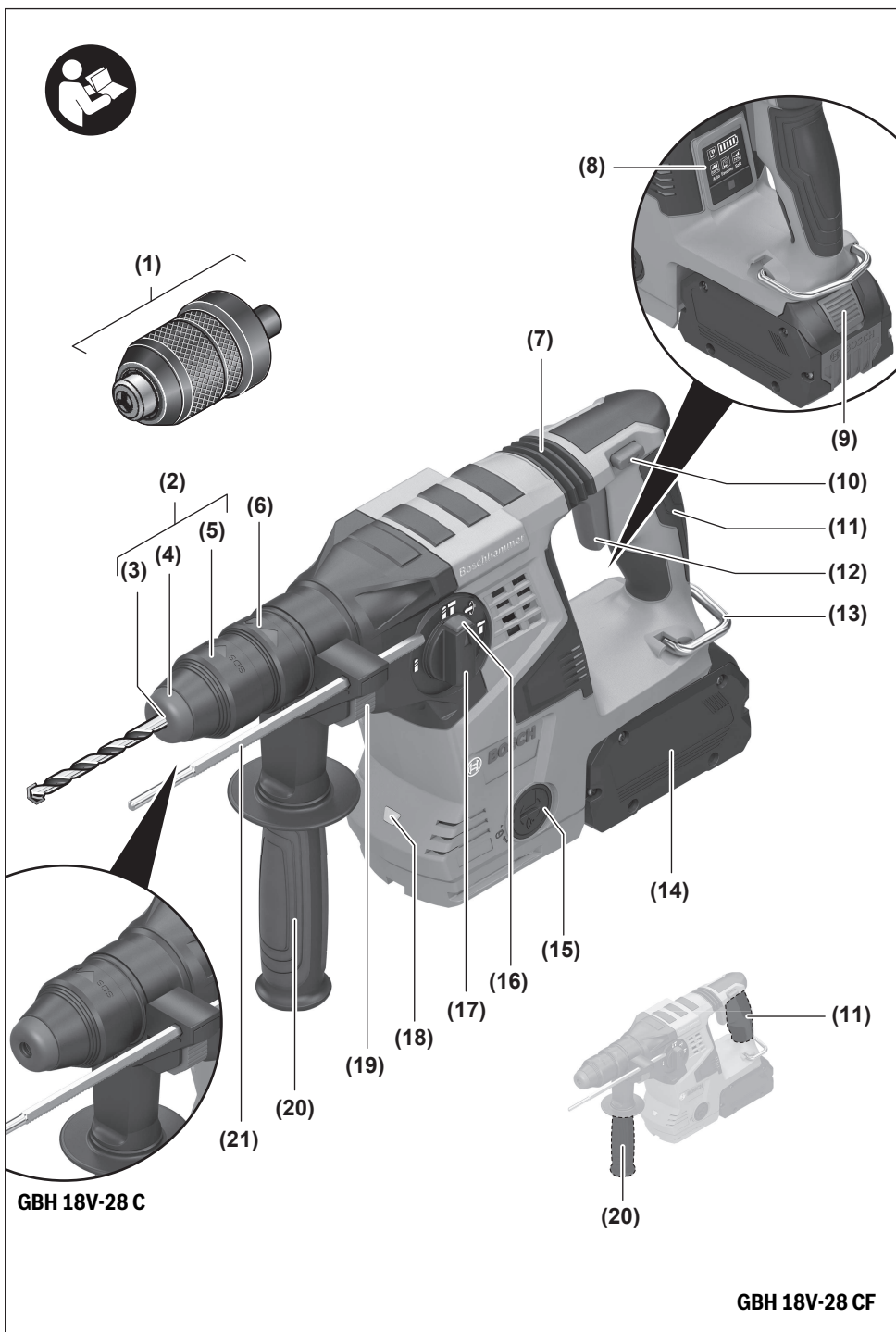


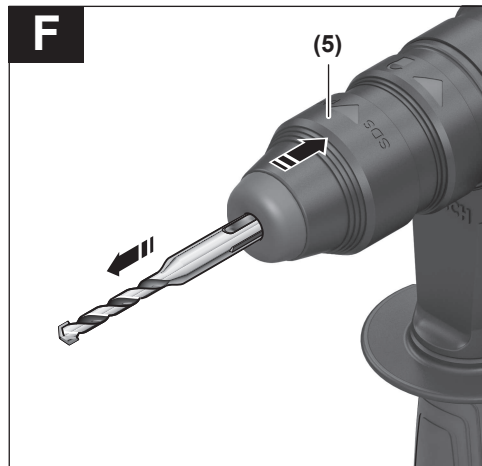
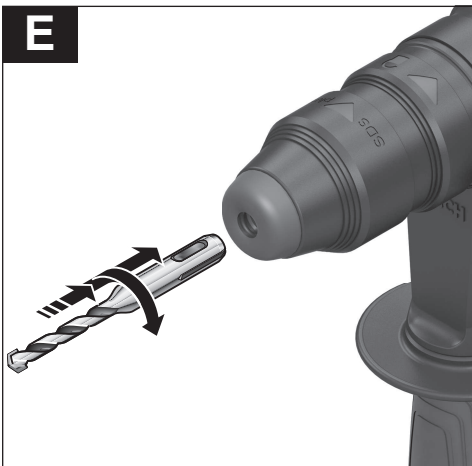
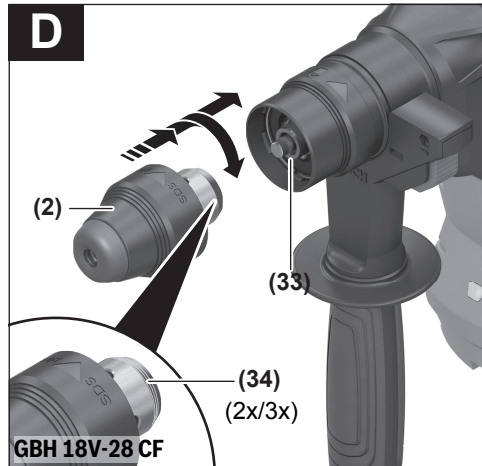
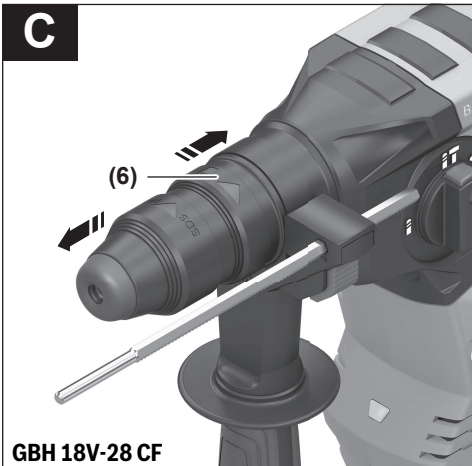
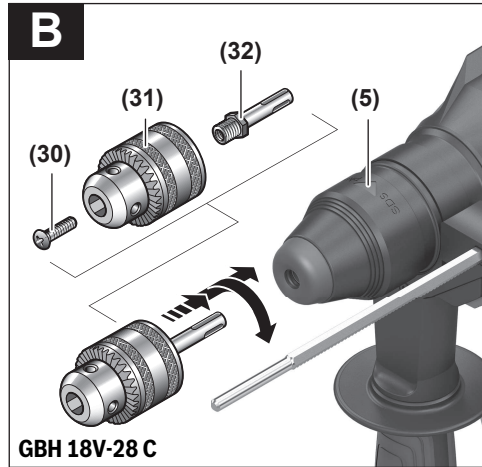
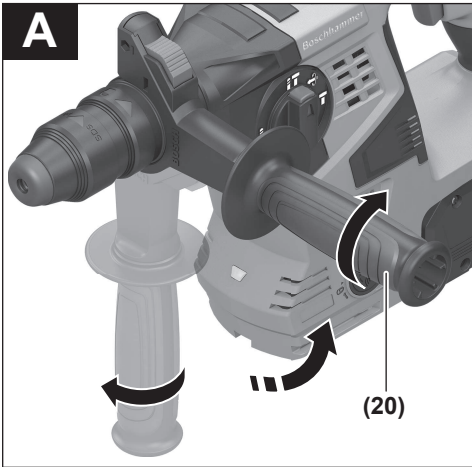
1 609 92A 8H0

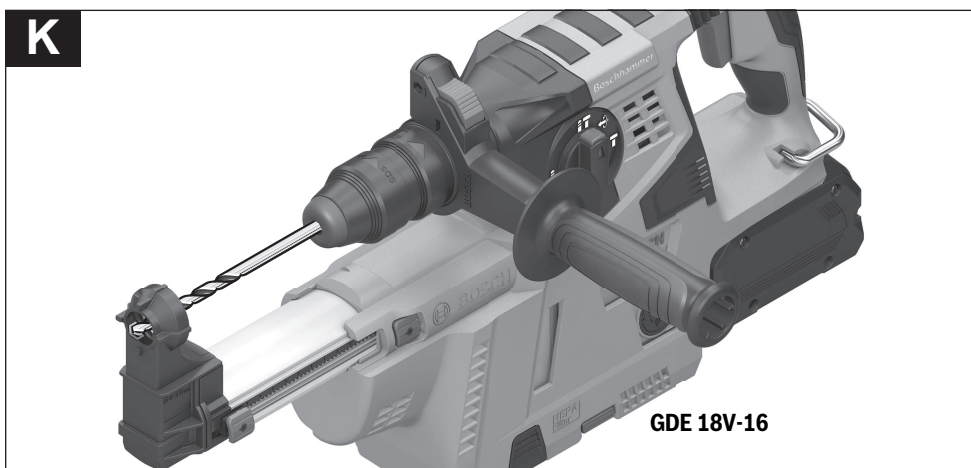
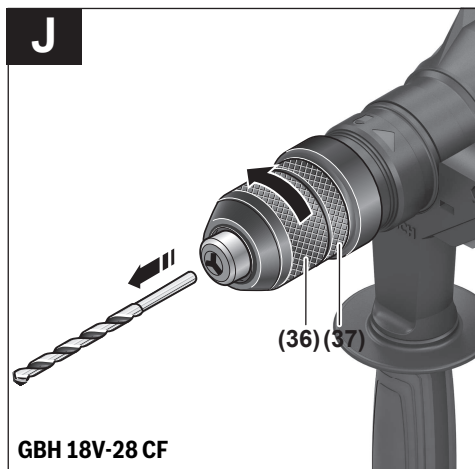
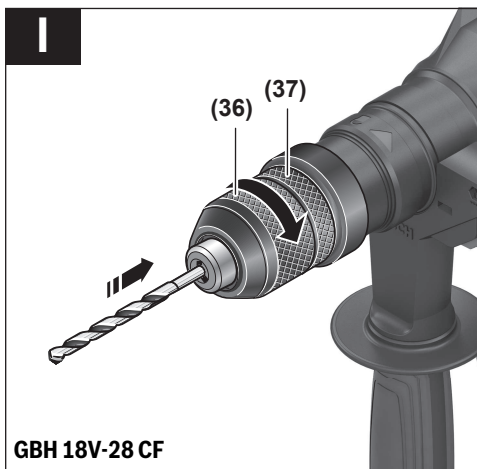
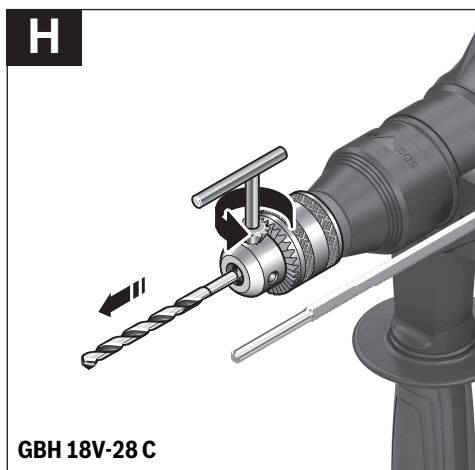
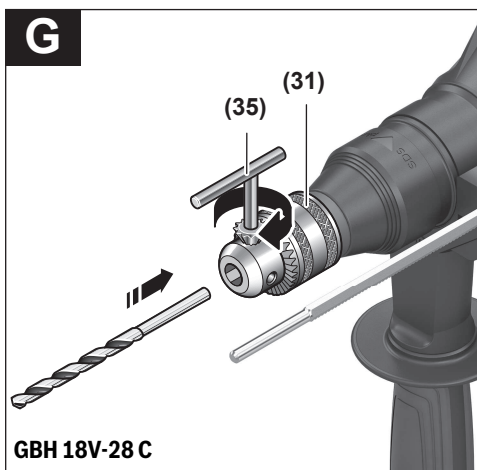
- en Original instructions
- fr Notice originale
- pt Manual original
- zh 正本使用说明书
- zh 原始使用說明書
- th หนังสือคู่มือการใช้งานฉบับต้นแบบ
- id Petunjuk-Petunjuk untuk Penggunaan Orisinal
- vi Bản gốc hướng dẫn sử dụng
- ar دليل التشغيل الأصلي
- fa دفترچه راهنمای اصلی

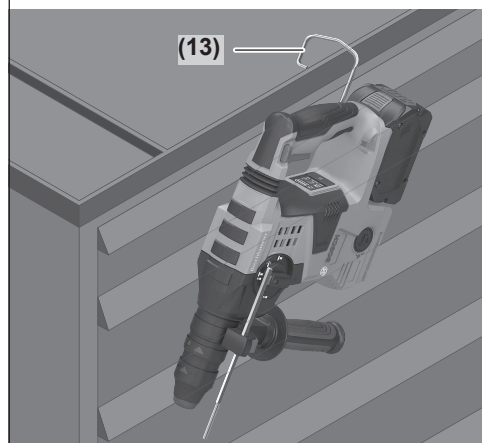
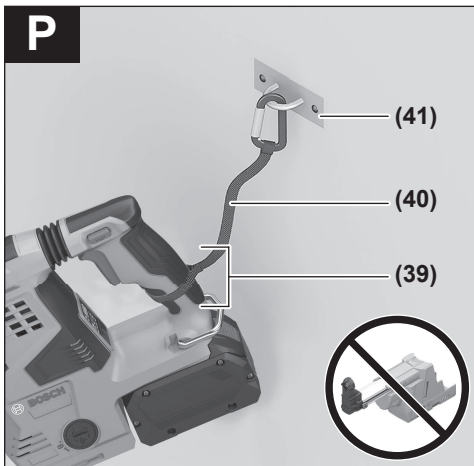
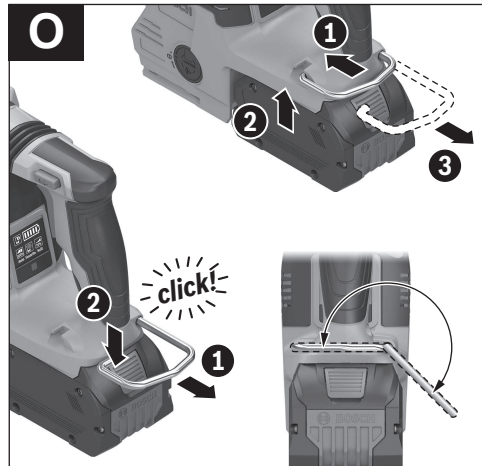
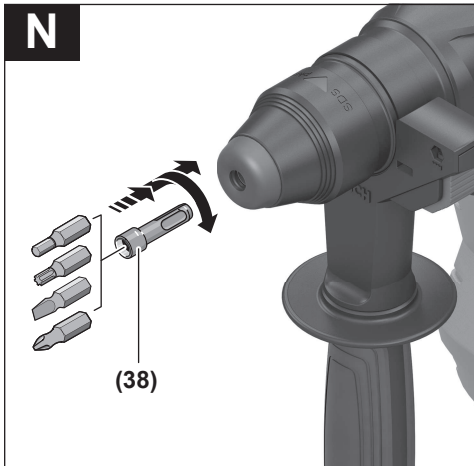
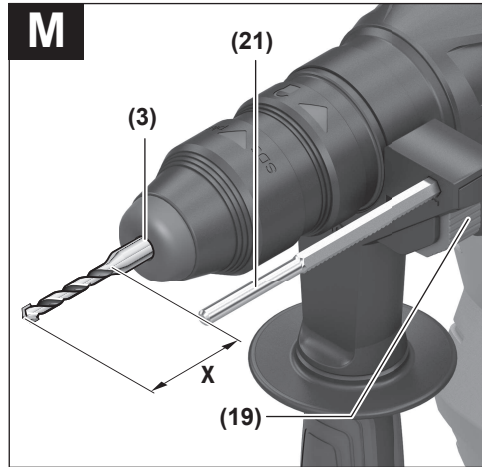
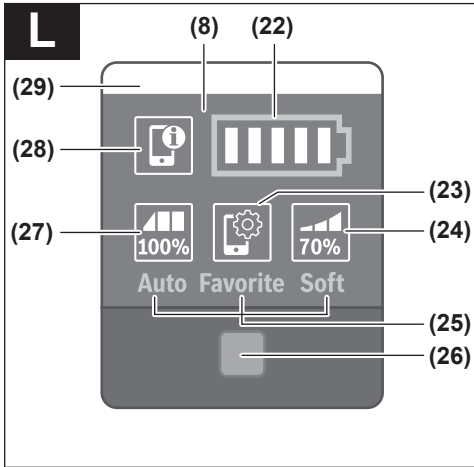


English	Page	7
Français	Page	17
Português	Página	28
中文	頁	39
繁體中文	頁	49
ไทย	หน้า	58
Bahasa Indonesia	Halaman	70
Tiếng Việt	Trang	81
عربي	الصفحة	94
فارسی	صفحه	105









English

Safety instructions

General Power Tool Safety Warnings

⚠ WARNING Read all safety warnings, instructions, illustrations and specifications provided with this power tool. Failure to follow all instructions listed below may result in electric shock, fire and/or serious injury.

Save all warnings and instructions for future reference.

The term "power tool" in the warnings refers to your mains-operated (corded) power tool or battery-operated (cordless) power tool.

Work area safety

- ▶ **Keep work area clean and well lit.** Cluttered or dark areas invite accidents.
- ▶ **Do not operate power tools in explosive atmospheres, such as in the presence of flammable liquids, gases or dust.** Power tools create sparks which may ignite the dust or fumes.
- ▶ **Keep children and bystanders away while operating a power tool.** Distractions can cause you to lose control.

Electrical safety

- ▶ **Power tool plugs must match the outlet. Never modify the plug in any way. Do not use any adapter plugs with earthed (grounded) power tools.** Unmodified plugs and matching outlets will reduce risk of electric shock.
- ▶ **Avoid body contact with earthed or grounded surfaces, such as pipes, radiators, ranges and refrigerators.** There is an increased risk of electric shock if your body is earthed or grounded.
- ▶ **Do not expose power tools to rain or wet conditions.** Water entering a power tool will increase the risk of electric shock.
- ▶ **Do not abuse the cord. Never use the cord for carrying, pulling or unplugging the power tool. Keep cord away from heat, oil, sharp edges or moving parts.** Damaged or entangled cords increase the risk of electric shock.
- ▶ **When operating a power tool outdoors, use an extension cord suitable for outdoor use.** Use of a cord suitable for outdoor use reduces the risk of electric shock.
- ▶ **If operating a power tool in a damp location is unavoidable, use a residual current device (RCD) protected supply.** Use of an RCD reduces the risk of electric shock.

Personal safety

- ▶ **Stay alert, watch what you are doing and use common sense when operating a power tool. Do not use a power tool while you are tired or under the influence of drugs, alcohol or medication.** A moment of inatten-

tion while operating power tools may result in serious personal injury.

- ▶ **Use personal protective equipment. Always wear eye protection.** Protective equipment such as a dust mask, non-skid safety shoes, hard hat or hearing protection used for appropriate conditions will reduce personal injuries.
- ▶ **Prevent unintentional starting. Ensure the switch is in the off-position before connecting to power source and/or battery pack, picking up or carrying the tool.** Carrying power tools with your finger on the switch or energising power tools that have the switch on invites accidents.
- ▶ **Remove any adjusting key or wrench before turning the power tool on.** A wrench or a key left attached to a rotating part of the power tool may result in personal injury.
- ▶ **Do not overreach. Keep proper footing and balance at all times.** This enables better control of the power tool in unexpected situations.
- ▶ **Dress properly. Do not wear loose clothing or jewellery. Keep your hair and clothing away from moving parts.** Loose clothes, jewellery or long hair can be caught in moving parts.
- ▶ **If devices are provided for the connection of dust extraction and collection facilities, ensure these are connected and properly used.** Use of dust collection can reduce dust-related hazards.
- ▶ **Do not let familiarity gained from frequent use of tools allow you to become complacent and ignore tool safety principles.** A careless action can cause severe injury within a fraction of a second.

Power tool use and care

- ▶ **Do not force the power tool. Use the correct power tool for your application.** The correct power tool will do the job better and safer at the rate for which it was designed.
- ▶ **Do not use the power tool if the switch does not turn it on and off.** Any power tool that cannot be controlled with the switch is dangerous and must be repaired.
- ▶ **Disconnect the plug from the power source and/or remove the battery pack, if detachable, from the power tool before making any adjustments, changing accessories, or storing power tools.** Such preventive safety measures reduce the risk of starting the power tool accidentally.
- ▶ **Store idle power tools out of the reach of children and do not allow persons unfamiliar with the power tool or these instructions to operate the power tool.** Power tools are dangerous in the hands of untrained users.
- ▶ **Maintain power tools and accessories. Check for misalignment or binding of moving parts, breakage of parts and any other condition that may affect the power tool's operation. If damaged, have the power tool repaired before use.** Many accidents are caused by poorly maintained power tools.

- ▶ **Keep cutting tools sharp and clean.** Properly maintained cutting tools with sharp cutting edges are less likely to bind and are easier to control.
- ▶ **Use the power tool, accessories and tool bits etc. in accordance with these instructions, taking into account the working conditions and the work to be performed.** Use of the power tool for operations different from those intended could result in a hazardous situation.
- ▶ **Keep handles and grasping surfaces dry, clean and free from oil and grease.** Slippery handles and grasping surfaces do not allow for safe handling and control of the tool in unexpected situations.

Battery tool use and care

- ▶ **Recharge only with the charger specified by the manufacturer.** A charger that is suitable for one type of battery pack may create a risk of fire when used with another battery pack.
- ▶ **Use power tools only with specifically designated battery packs.** Use of any other battery packs may create a risk of injury and fire.
- ▶ **When battery pack is not in use, keep it away from other metal objects, like paper clips, coins, keys, nails, screws or other small metal objects, that can make a connection from one terminal to another.** Shorting the battery terminals together may cause burns or a fire.
- ▶ **Under abusive conditions, liquid may be ejected from the battery; avoid contact. If contact accidentally occurs, flush with water. If liquid contacts eyes, additionally seek medical help.** Liquid ejected from the battery may cause irritation or burns.
- ▶ **Do not use a battery pack or tool that is damaged or modified.** Damaged or modified batteries may exhibit unpredictable behaviour resulting in fire, explosion or risk of injury.
- ▶ **Do not expose a battery pack or tool to fire or excessive temperature.** Exposure to fire or temperature above 130°C may cause explosion.
- ▶ **Follow all charging instructions and do not charge the battery pack or tool outside the temperature range specified in the instructions.** Charging improperly or at temperatures outside the specified range may damage the battery and increase the risk of fire.

Service

- ▶ **Have your power tool serviced by a qualified repair person using only identical replacement parts.** This will ensure that the safety of the power tool is maintained.
- ▶ **Never service damaged battery packs.** Service of battery packs should only be performed by the manufacturer or authorized service providers.

Hammer Safety Warnings

Safety instructions for all operations

- ▶ **Wear ear protectors.** Exposure to noise can cause hearing loss.

- ▶ **Use auxiliary handle(s), if supplied with the tool.** Loss of control can cause personal injury.
- ▶ **Hold the power tool by insulated gripping surfaces, when performing an operation where the cutting accessory or fasteners may contact hidden wiring.** Cutting accessory or fasteners contacting a "live" wire may make exposed metal parts of the power tool "live" and could give the operator an electric shock.

Safety instructions when using long drill bits with rotary hammers

- ▶ **Always start drilling at low speed and with the bit tip in contact with the workpiece.** At higher speeds, the bit is likely to bend if allowed to rotate freely without contacting the workpiece, resulting in personal injury.
- ▶ **Apply pressure only in direct line with the bit and do not apply excessive pressure.** Bits can bend, causing breakage or loss of control, resulting in personal injury.

Additional safety information

- ▶ **Use suitable detectors to determine if there are hidden supply lines or contact the local utility company for assistance.** Contact with electric cables can cause fire and electric shock. Damaging gas lines can lead to explosion. Breaking water pipes causes property damage.
- ▶ **Always wait until the power tool has come to a complete stop before placing it down.** The application tool can jam and cause you to lose control of the power tool.
- ▶ **Secure the workpiece.** A workpiece clamped with clamping devices or in a vice is held more secure than by hand.
- ▶ **In case of damage and improper use of the battery, vapours may be emitted. The battery can set alight or explode.** Ensure the area is well ventilated and seek medical attention should you experience any adverse effects. The vapours may irritate the respiratory system.
- ▶ **Do not open the battery.** There is a risk of short-circuiting.
- ▶ **The battery can be damaged by pointed objects such as nails or screwdrivers or by force applied externally.** An internal short circuit may occur, causing the battery to burn, smoke, explode or overheat.
- ▶ **Only use the battery in the manufacturer's products.** This is the only way in which you can protect the battery against dangerous overload.



Protect the battery against heat, e.g. against continuous intense sunlight, fire, dirt, water and moisture. There is a risk of explosion and short-circuiting.



- ▶ **Do not touch any application tools or adjacent housing components shortly after operation.** These can become very hot during operation and cause burns.
- ▶ **The application tool may jam during drilling. Make sure you have a stable footing and hold the power tool firmly with both hands.** Otherwise you could lose control of the power tool.

- ▶ **Take care when carrying out demolition work using the chisel.** Falling fragments of the demolition material could injure you or any bystanders.
- ▶ **Hold the power tool firmly with both hands and make sure you have a stable footing.** The power tool can be more securely guided with both hands.
- ▶ **Caution! When using the power tool with Bluetooth®, a fault may occur in other devices and systems, aeroplanes and medical devices (e.g. pacemakers, hearing aids). Also, damage to people and animals in the immediate vicinity cannot be completely excluded. Do not use the power tool with Bluetooth® in the vicinity of medical devices, petrol stations, chemical plants, areas with a potentially explosive atmosphere or in blasting areas. Do not use the power tool with Bluetooth® in aircraft. Avoid using the product near your body for extended periods.**

The Bluetooth® word mark and logos are registered trademarks owned by Bluetooth SIG, Inc. and any use of such marks by Robert Bosch Power Tools GmbH is under license.

Product Description and Specifications



Read all the safety and general instructions.

Failure to observe the safety and general instructions may result in electric shock, fire and/or serious injury.

Please observe the illustrations at the beginning of this operating manual.

Intended Use

The power tool is intended for hammer drilling in concrete, brick and stone, as well as for light chiselling work. It is also suitable for drilling without impact in wood, metal, ceramic and plastic. Power tools with electronic control and right/left rotation are also suitable for screwdriving.

With the Bluetooth® Low Energy Module **GCY 42** inserted, power tool data and settings can be transferred between the power tool and a mobile device by means of Bluetooth® wireless technology.

Product Features

The numbering of the product features refers to the diagram of the power tool on the graphics page.

- (1) Keyless quick-change chuck (**GBH 18V-28 CF**)
 - (2) SDS plus quick-change chuck (**GBH 18V-28 CF**)
 - (3) SDS plus tool holder
 - (4) Dust protection cap
 - (5) Locking sleeve
 - (6) Locking ring for quick-change chuck (**GBH 18V-28 CF**)
 - (7) Vibration damping
 - (8) User Interface
 - (9) Rechargeable battery release button^{a)}
 - (10) Rotational direction switch
 - (11) Handle (insulated gripping surface)
 - (12) On/off switch
 - (13) Utility hook
 - (14) Rechargeable battery^{a)}
 - (15) Bluetooth cover
 - (16) Release button for impact/mode selector switch
 - (17) Impact/mode selector switch
 - (18) Worklight
 - (19) Button for depth stop adjustment
 - (20) Auxiliary handle (insulated gripping surface)
 - (21) Depth stop
 - (22) Battery charge indicator (user interface)
 - (23) Speed configuration via smartphone app indicator (user interface)
 - (24) Reduced performance indicator (user interface)
 - (25) Working modes indicator (user interface)
 - (26) Button to select the working mode (user interface)
 - (27) Maximum performance indicator (user interface)
 - (28) Smartphone symbol (user interface)
 - (29) Power tool status indicator (user interface)
 - (30) Securing screw for keyed chuck (**GBH 18V-28 C**)^{a)}
 - (31) Keyed chuck (**GBH 18V-28 C**)^{a)}
 - (32) SDS plus shank for drill chuck (**GBH 18V-28 C**)^{a)}
 - (33) Drill chuck holder (**GBH 18V-28 CF**)
 - (34) Identification grooves
 - (35) Chuck key (**GBH 18V-28 C**)
 - (36) Front sleeve of the keyless quick-change chuck (**GBH 18V-28 CF**)
 - (37) Retaining ring of the keyless quick-change chuck (**GBH 18V-28 CF**)
 - (38) Universal holder with SDS plus shank^{a)}
 - (39) Attachment area for the fall protection system on the power tool
 - (40) Fall protection system^{b)}
 - (41) Fall protection system anchorage point fixer^{b)}
- a) **Accessories shown or described are not included with the product as standard. You can find the complete selection of accessories in our accessories range.**
- b) **Accessories shown or described are not included in the delivery, nor are they part of the Bosch range of accessories.**

Technical Data

Cordless rotary hammer		GBH 18V-28 C	GBH 18V-28 CF
Article number		3 611 J20 0..	3 611 J21 0..
Speed control		●	●
Stop rotation		●	●
Clockwise/anticlockwise rotation		●	●
Quick-change chuck		–	●
Rated voltage	V=	18	18
Impact rate ^{A)}	min ⁻¹	0–4220	0–4220
Impact energy per stroke according to EPTA-Procedure 05:2016	J	3.3	3.3
No-load speed ^{A)}			
– Clockwise	min ⁻¹	0–950	0–950
– Anticlockwise	min ⁻¹	0–950	0–950
Tool holder		SDS plus	SDS plus
Spindle collar diameter	mm	50	50
Max. drilling diameter:			
– Concrete	mm	28	28
– Masonry (with hollow core bit)	mm	82	82
– Steel	mm	13	13
– Wood	mm	30	30
Weight without battery	kg	3.3	3.4
Weight according to EPTA-Procedure 01:2014	kg	3.7–4.7	3.8–4.8
Length	mm	349	378
Height	mm	225	225
Width	mm	92	92
Recommended ambient temperature during charging	°C	0 to +35	0 to +35
Permitted ambient temperature during operation ^{B)} and during storage	°C	–15 to +50	–15 to +50
Compatible rechargeable batteries		GBA 18V... ProCORE18V...	GBA 18V... ProCORE18V...
Recommended rechargeable batteries		GBA 18V... ≥ 5.0 Ah ProCORE18V... ≥ 4.0 Ah	GBA 18V... ≥ 5.0 Ah ProCORE18V... ≥ 4.0 Ah
Recommended chargers		GAL 18... GAX 18... GAL 36...	GAL 18... GAX 18... GAL 36...

A) Measured at 20–25 °C with rechargeable battery **ProCORE18V 4.0Ah**.

B) Limited performance at temperatures < 0 °C

Values can vary depending upon the product and are subject to application and environmental conditions. For further information www.bosch-professional.com/wac.

Rechargeable battery

Bosch sells some cordless power tools without a rechargeable battery. You can tell whether a rechargeable battery is included with the power tool by looking at the packaging.

Charging the battery

- ▶ **Use only the chargers listed in the technical data.** Only these chargers are matched to the lithium-ion battery of your power tool.

Note: Lithium-ion rechargeable batteries are supplied partially charged according to international transport regulations. To ensure full rechargeable battery capacity, fully

charge the rechargeable battery before using your tool for the first time.

Inserting the Battery

Push the charged battery into the battery holder until it clicks into place.



Removing the Battery

To remove the rechargeable battery, press the battery release button and pull the battery out. **Do not use force to do this.**

The rechargeable battery has two locking levels to prevent the battery from falling out if the battery release button is pressed unintentionally. The rechargeable battery is held in place by a spring when fitted in the power tool.

Battery charge indicator

The green LEDs on the battery charge indicator indicate the state of charge of the battery. For safety reasons, it is only possible to check the state of charge when the power tool is not in operation.

Press the button for the battery charge indicator  or  to show the state of charge. This is also possible when the battery is removed.

If no LED lights up after pressing the button for the battery charge indicator, then the battery is defective and must be replaced.

The state of charge of the battery is also displayed on the user interface Status indications.

Battery model GBA 18V...



LED	Capacity
3 × continuous green light	60–100 %
2 × continuous green light	30–60 %
1 × continuous green light	5–30 %
1 × flashing green light	0–5 %

Battery model ProCORE18V...



LED	Capacity
5 × continuous green light	80–100 %
4 × continuous green light	60–80 %
3 × continuous green light	40–60 %
2 × continuous green light	20–40 %
1 × continuous green light	5–20 %
1 × flashing green light	0–5 %

Recommendations for Optimal Handling of the Battery

Protect the battery against moisture and water.

Only store the battery within a temperature range of –20 to 50 °C. Do not leave the battery in your car in the summer, for example.

Occasionally clean the ventilation slots on the battery using a soft brush that is clean and dry.

A significantly reduced operating time after charging indicates that the battery has deteriorated and must be replaced. Follow the instructions on correct disposal.

Assembly

- ▶ **Remove the battery from the power tool before carrying out work on the power tool (e.g. maintenance, changing tool, etc.). The battery should also be removed for transport and storage.** There is risk of injury from unintentionally pressing the on/off switch.

Inserting the *Bluetooth*® Low Energy Module GCY 42 (Accessory)

Read the corresponding operating instructions for information about the *Bluetooth*® Low Energy Module **GCY 42**.

Auxiliary handle

- ▶ **Do not operate your power tool without the auxiliary handle (20).**
- ▶ **Make sure that the auxiliary handle is always tightened.** Otherwise you could lose control of the power tool when working.

Swivelling the auxiliary handle (see figure A)

You can swivel the auxiliary handle (20) to any angle for a safe work posture that minimises fatigue.

- Turn the lower gripping end of the auxiliary handle (20) anticlockwise and swivel the auxiliary handle (20) into the required position. Then turn the lower gripping end of the auxiliary handle (20) clockwise to retighten it. Make sure that the retaining strap of the auxiliary handle slots into the corresponding groove of the housing.

Selecting drill chucks and tools

Hammer drilling and chiselling require SDS-plus application tools that are inserted into the SDS-plus drill chuck.

For drilling without impact in wood, metal, ceramic and plastic as well as for screwdriving, tools without SDS-plus are used (e.g. cylindrical shank drill bits). For these tools, a keyless chuck or a keyed chuck are required.

Changing the drill chuck

Inserting/removing the keyed chuck

GBH 18V-28 C

You must use a suitable drill chuck (keyed or keyless chuck, accessories) to work with tools that do not have SDS-plus (e.g. cylindrical shank drill bits).

Fitting the keyed chuck (see figure B)

- Screw the SDS-plus shank (32) into a keyed chuck (31). Secure the keyed chuck (31) using the securing screw (30). **Note that the securing screw has a left-hand thread.**

Inserting the keyed chuck (see figure B)

- Clean and lightly grease the insertion end of the shank.
- Insert the keyed chuck with the adapter shank into the tool holder with a turning motion until it automatically locks.
- Check that it is locked by pulling the keyed chuck.

Removing the keyed chuck

- Push the locking sleeve (5) back and remove the keyed chuck (31).

Removing/inserting the quick-change chuck**GBH 18V-28 CF****Removing the Quick-Change Chuck (see figure C)**

- Pull back on the quick-change chuck locking ring (6), hold it in this position and pull the SDS plus quick-change chuck (2) or the keyless quick-change chuck (1) out from the front.
- Once the quick-change chuck is removed, protect it from dirt.

Inserting the quick-change chuck (see figure D)

- ▶ **Use only model-specific original equipment and pay attention to the number of identification grooves (34). Only quick-change chucks with two or three identification grooves are permitted.** If an unsuitable quick-change chuck is used, the application tool can fall out during operation.
- Before insertion, clean the quick-change chuck and lightly grease the shank.
- Wrap your whole hand around the SDS-plus quick-change chuck (2) or the keyless quick-change chuck (1). Use a turning motion to push the quick-change chuck into the drill chuck holder (33) until you hear it click into place.
- The quick-change chuck is automatically locked. Check that it is locked by pulling on the quick-change chuck.

Changing the Tool

The dust protection cap (4) largely prevents the penetration of drilling dust into the tool holder during operation. When inserting the tool, make sure that the dust protection cap (4) does not become damaged.

- ▶ **Replace a damaged dust protection cap immediately. It is recommended that you have use an after-sales service for this.**

Changing the tool (SDS plus)**Inserting SDS plus application tools (see figure E)**

The SDS-plus drill chuck enables you to change the application tool easily and conveniently without needing to use additional tools.

- **GBH 18V-28 CF:** Insert the SDS plus quick-change chuck (2).
- Clean and lightly grease the shank of the application tool.

- Insert the application tool into the tool holder while turning it until it locks automatically.
- Check that it is locked by pulling on the tool.

As a requirement of the system, the SDS-plus application tool can move freely. This causes a certain radial run-out at no-load, which has no effect on the accuracy of the drill hole, as the drill bit centres itself upon drilling.

Removing SDS-plus application tools (see figure F)

- Push the locking sleeve (5) back and remove the application tool.

Changing the keyed chuck**GBH 18V-28 C****Inserting the application tool (see figure G)**

Note: Application tools that do not have SDS plus must not be used for hammer drilling or chiselling. Tools without SDS plus and their drill chucks are damaged by hammer drilling or chiselling.

- Insert a keyed chuck (31).
- Open the keyed chuck (31) by turning it until the tool can be inserted. Insert the tool.
- Insert the chuck key (35) into the corresponding holes of the keyed chuck (31) and clamp the tool evenly.
- Turn the impact/mode selector switch (17) to the "drilling" position.

Removing the application tool (see figure H)

- Use the chuck key (35) to turn the sleeve of the keyed chuck (31) anticlockwise until the application tool can be removed.

Changing the keyless quick-change chuck**GBH 18V-28 CF****Inserting the application tool (see figure I)**

Note: Application tools that do not have SDS plus must not be used for hammer drilling or chiselling. Tools without SDS plus and their drill chucks are damaged by hammer drilling or chiselling.

- Insert the keyless quick-change chuck (1).
- Hold the retaining ring (37) of the keyless quick-change chuck firmly in place. Open the tool holder by turning the front sleeve (36) until the tool can be inserted. Hold the retaining ring (37) in place and firmly tighten the front sleeve (36) by turning it in the direction of the arrow until you hear it click into place.
- Check that it is seated securely by pulling on the tool.

Note: If the tool holder was unscrewed all the way, a scraping sound may be heard while retightening the tool holder and it may not fully tighten.

In this case, turn the front sleeve anti-clockwise by one turn. This will allow the tool holder to be fully tightened.

- Turn the impact/mode selector switch (17) to the "drilling" position.

Removing the application tool (see figure J)

- Hold the retaining ring (37) of the keyless quick-change chuck firmly in place. Open the tool holder by turning the

front sleeve (36) in the direction of the arrow until the tool can be removed.

Dust/Chip Extraction

The dust from materials such as lead paint, some types of wood, minerals and metal can be harmful to human health. Touching or breathing in this dust can trigger allergic reactions and/or cause respiratory illnesses in the user or in people in the near vicinity.

Certain dusts, such as oak or beech dust, are classified as carcinogenic, especially in conjunction with wood treatment additives (chromate, wood preservative). Materials containing asbestos may only be machined by specialists.

- Use a dust extraction system that is suitable for the material wherever possible.
- Provide good ventilation at the workplace.
- It is advisable to wear a P2 filter class breathing mask.

The regulations on the material being machined that apply in the country of use must be observed.

- ▶ **Avoid dust accumulation at the workplace.** Dust can easily ignite.

Dust extraction with GDE 18V-16 (accessory) (see figure K)

The GDE 18V-16 dust extraction attachment (accessory) is required for extracting concrete dust and stone dust. This dust extraction system is not suitable for dust from wood, metal and plastic or for dust which is harmful to one's health (e.g. asbestos).

Operation

Start-up

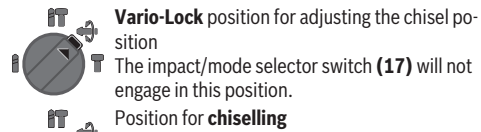
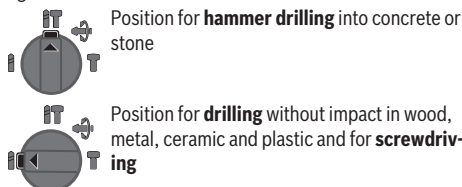
- ▶ Ensure that the cover (15) of the *Bluetooth*® Low Energy Module GCY 42 is closed during operation. This will prevent dust from getting in.

Setting the Operating Mode

The operating mode of the power tool is selected using the impact/mode selector switch (17).

- To change the operating mode, press the release button (16) and turn the impact/mode selector switch (17) until it clicks into the required position.

Note: Only change the operating mode when the power tool is switched off. Otherwise, the power tool may become damaged.



Setting the Rotational Direction

The rotational direction switch (10) is used to change the rotational direction of the power tool. However, this is not possible while the on/off switch (12) is being pressed.

- ▶ **Only operate the rotational direction switch (10) when the power tool is not in use.**

Always set the rotational direction to clockwise rotation for hammer drilling, drilling and chiselling.

- **Clockwise:** To drill and to drive in screws, press the rotational direction switch (10) all the way to the left.
- **Anticlockwise:** To loosen and unscrew screws and nuts, press the rotational direction switch (10) all the way to the right.

Note: If the rotational direction switch is in the middle position, the on/off switch (12) is blocked.

Switching On/Off

- To **switch on** the power tool, press the on/off switch (12).

The worklight (18) lights up when the on/off switch (12) is lightly or fully pressed, allowing the work area to be illuminated in poor lighting conditions.

When switching on the power tool for the first time, the start may be slightly delayed as the power tool's electronic system has to configure itself first.

For low temperatures, the power tool reaches the full hammer/impact capacity only after a certain time.

- To **switch off** the power tool, release the on/off switch (12).

Adjusting the Speed/Impact Rate

You can adjust the speed/impact rate of the power tool when it is on by pressing in the on/off switch (12) to varying extents.

Applying light pressure to the on/off switch (12) results in a low rotational speed/impact rate. Applying increasing pressure to the switch increases the speed/impact rate.

You can also control the speed on the user interface and/or via a smartphone app: .

Changing the chiselling position (Vario-Lock)

You can lock the chisel in 40 different positions, so you can select the optimum working position for each task.

- Insert the chisel into the tool holder.
- Turn the impact/mode selector switch (17) to the "Vario-Lock" position.
- Turn the application tool to the required chisel position.
- Turn the impact/mode selector switch (17) to the "chiselling" position. With this, the tool holder is locked.

- Set the rotational direction for chiselling to clockwise.

User interface (see figure L)

The user interface **(8)** is used to select the working mode and to indicate the status of the power tool.

Status indications

Battery charge indicator (user interface) (22)	Meaning/cause	Solution
Green (2 to 5 bars)	Battery charged	–
Yellow (1 bar)	Battery almost empty	Replace or charge battery soon
Red (1 bar)	Battery empty	Replace or charge battery

Power tool status indicator (29)	Meaning/cause	Solution
Green	Status OK	–
Yellow	Critical temperature has been reached or rechargeable battery is almost empty	Allow the power tool to cool down, or replace or charge the battery
Red	Power tool has overheated or rechargeable battery is empty	Allow the power tool to cool down, or replace or charge the battery
Red	Motor is jammed, battery too weak	Charge the battery or use the recommended battery type
	General error	<ul style="list-style-type: none"> – Turn the power tool off and on again, or remove the battery and reinsert it If the error persists: <ul style="list-style-type: none"> – Send the power tool to the after-sales service
Flashing red	Rapid shut-off is triggered	Turn the power tool off and on again
Flashing blue	Power tool is connected to a mobile device via <i>Bluetooth®</i> or settings are being transferred	–

Smartphone symbol (28)	Meaning/cause	Solution
white	Important information available (e.g. temperature warning)	Read the message on the smartphone

Selecting the working mode

Press the **(26)** button for selecting the working mode repeatedly until the working mode you require lights up.

Note: In **Favourite** working mode, the functions are configured via the smartphone app, while the functions are preset in **Auto** and **Soft** working modes.

Working mode (25) indicator	Functions
Auto Maximum performance indicator (27) lights up	In Auto working mode, the power tool reaches maximum performance with maximum ramp-up speed.
Favourite Speed configuration via smartphone app indicator (23) lights up	In Favourite working mode, the performance and ramp-up speed of the power tool can be individually configured via a smartphone app.
Soft Reduced performance indicator (24) lights up	In Soft working mode, the performance and ramp-up speed of the power tool are reduced.

Connectivity functions

System Requirements for Using the App

System Requirements

Mobile device (tablet, smartphone)	Android 6.0 (and newer) iOS 11 (and newer)
------------------------------------	---

Installing and Setting up the App

You will need to install the device-specific app before you can use the connectivity functions.

- Download the app from the corresponding app store (Apple App Store, Google Play Store).

Note: You will need to have a user account with the relevant app store to do this.

App name	iOS	Android
Bosch Toolbox		

- Then select the **MyTools** or **Connectivity** sub-item in the app.
- The display of your mobile device shows you all of the subsequent steps required to connect the power tool to the mobile device.

In conjunction with the *Bluetooth*® Low Energy module **GCY 42**, the following connectivity functions are available with the Bosch Toolbox app for the power tool:

- Registration
- Personalisation of **Favorite** working mode (performance and behaviour)
- Tool settings (e.g. dust extraction runtime, worklight parameters)
- Status check, output of warning messages
- General information
- Management

Read the corresponding operating instructions for information about the *Bluetooth*® Low Energy Module **GCY 42**.

The smartphone symbol **(28)** lights up if the power tool sends information (e.g. a temperature warning) to a mobile device via *Bluetooth*® wireless technology.

Deactivating the connectivity function

- ▶ **With the *Bluetooth*® Low Energy Module, the power tool is equipped with a radio interface. Local operating restrictions, e.g. in aircraft or hospitals, must be observed.**

Note: The cover **(15)** can only be securely closed if the *Bluetooth*® Low Energy Module and the coin cell are situated in the power tool.

- To **deactivate** the *Bluetooth*® Low Energy Module, turn the coin cell over or place a means of insulation between the coin cell and *Bluetooth*® Low Energy Module.
- Close the cover **(15)** to prevent dirt from getting in.

Practical Advice

Setting the drilling depth (see figure M)

You can use the depth stop **(21)** to set the required drilling depth **X**.

- Press the button for depth stop adjustment **(19)** and insert the depth stop into the auxiliary handle **(20)**. The fluting on the depth stop **(21)** must face downwards.
- Insert the SDS-plus application tool into the SDS-plus tool holder **(3)** to the stop. Otherwise, the movability of the SDS-plus drilling tool can lead to incorrect adjustment of the drilling depth.
- Pull the depth stop far enough out that the distance between the drill bit tip and the edge of the depth stop corresponds to the required drilling depth **X**.

Overload clutch

- ▶ **If the application tool jams or snags, the power transmission to the drill spindle will be interrupted. Always hold the power tool firmly with both hands to withstand the forces this may create and adopt a position with stable footing.**
- ▶ **Switch the power tool off immediately and remove the application tool if the power tool becomes blocked. Switching on when the drilling tool is blocked may cause high torque reactions.**


Rapid shut-off (KickBack Control)



The rapid shut-off function (KickBack Control) gives the user greater control over the power tool and offers them better protection than power tools that do not have Kickback Control. If the power tool suddenly and unforeseeably rotates around the drilling axis, it will switch off, the rapid shut-off indicator will light up red and the worklight **(18)** will flash. When rapid shut-off is activated, the status indicator **(29)** flashes red.

- To **switch the tool back on**, release the on/off switch **(12)** and then press it again.

Vibration damping

 The integrated vibration damping function reduces the generated vibration.

- ▶ **Do not continue to use the power tool if the damping element is damaged.**

Inserting screwdriver bits (see figure N)

- ▶ **Only apply the power tool to the screw/nut when the tool is switched off.** Rotating tool inserts can slip off.

A universal holder **(38)** with SDS-plus shank (accessory) is required to work with screwdriver bits.

- Clean and lightly grease the insertion end of the shank.
- Insert the universal holder into the tool holder while turning it until it locks automatically.
- Check that it is locked by pulling the universal holder.

- Insert a screwdriver bit in the universal holder. Only use screwdriver bits that fit the screw head.
- To remove the universal holder, slide the locking sleeve (5) backwards and remove the universal holder (38) from the tool holder.

Hang up the power tool (see figure O)

You can use the utility hook (13) to attach the power tool to a suitable suspension device.

- Briefly push the utility hook (13) towards the handle (11) to release the locking mechanism. The utility hook will extend backwards by itself.
- Turn the utility hook to the side.
- Check the utility hook (13) for damage or deformation. Do not use the utility hook (13) if it is damaged, deformed or no longer firmly secured to the power tool.
- Use the utility hook (13) to attach the power tool to a suspension device.
To avoid damage or injury, the suspension device must not be attached above walkways or immediate work areas.
The utility hook is intended solely for the purpose of hanging the power tool, including fitted accessories.
- Turn back the utility hook (13) and push it with light pressure forwards and downwards into the locking position when you are working with the power tool.

► Never use the utility hook (13) as a fall protection system.

Never attach the fall protection system to the utility hook.

Attaching the Fall Protection System (see figure P)

Note: A fall protection system (40) that is suitable for the weight of the entire system should be used to prevent the power tool from falling. The maximum permitted length of the fall protection system is **1.8 m**. Please always refer to the permitted attachment area (39) on the power tool.

It is best to use the fall protection system with a tape loop secured by an anchor knot or a fall protection system with fall damper.

Please always refer to the operating instructions when attaching the fall protection system (40).

► Always secure the opposite side of the fall protection system to a stable structure (e.g. a building or scaffolding) and never to the user.

The fall protection system must be able to move freely and may only be attached to the power tool at the fixed anchorage point (41) and in the permitted attachment area (39).

Select the fixed anchorage point (41) such that the power tool can fall freely into the fall protection system without wrapping around or putting the user at risk of harm in the event of a fall.

Never use the utility hook (13) as a fall protection system.

Never attach the fall protection system to the utility hook.

Never use the fall protection system on a power tool

which has been fitted with the GDE 18V-16 or GDE 16 Plus dust extraction attachments.

Maintenance and Service

Maintenance and Cleaning

- **Remove the battery from the power tool before carrying out work on the power tool (e.g. maintenance, changing tool, etc.). The battery should also be removed for transport and storage.** There is risk of injury from unintentionally pressing the on/off switch.
- **To ensure safe and efficient operation, always keep the power tool and the ventilation slots clean.**
- **Replace a damaged dust protection cap immediately. It is recommended that you have use an after-sales service for this.**
 - Clean the tool holder (3) after each use.

After-Sales Service and Application Service

Our after-sales service responds to your questions concerning maintenance and repair of your product as well as spare parts. You can find explosion drawings and information on spare parts at: www.bosch-pt.com

The Bosch product use advice team will be happy to help you with any questions about our products and their accessories.

In all correspondence and spare parts orders, please always include the 10-digit article number given on the nameplate of the product.

Malaysia

Robert Bosch Sdn. Bhd.(220975-V) PT/SMY
No. 8A, Jalan 13/6
46200 Petaling Jaya
Selangor
Tel.: (03) 79663194
Toll-Free: 1800 880188
Fax: (03) 79583838
E-Mail: kiathoe.chong@my.bosch.com
www.bosch-pt.com.my

You can find further service addresses at:

www.bosch-pt.com/serviceaddresses

Transport

The recommended lithium-ion batteries are subject to legislation on the transport of dangerous goods. The user can transport the batteries by road without further requirements.

When shipping by third parties (e.g.: by air transport or forwarding agency), special requirements on packaging and labelling must be observed. For preparation of the item being shipped, consulting an expert for hazardous material is required.

Dispatch battery packs only when the housing is undamaged. Tape or mask off open contacts and pack up the battery in such a manner that it cannot move around in the

packaging. Please also observe the possibility of more detailed national regulations.

Disposal



Power tools, rechargeable batteries, accessories and packaging should be sorted for environmental-friendly recycling.



Do not dispose of power tools and batteries/rechargeable batteries into household waste!

Battery packs/batteries:

Li-ion:

Please observe the notes in the section on transport (see "Transport", page 16).

Français

Consignes de sécurité

Avertissements de sécurité généraux pour l'outil électrique

AVERTISSEMENT

Lire tous les avertissements de sécurité, les instructions, les illustrations et les spécifications fournis

avec cet outil électrique. Ne pas suivre les instructions énumérées ci-dessous peut provoquer un choc électrique, un incendie et/ou une blessure sérieuse.

Conserver tous les avertissements et toutes les instructions pour pouvoir s'y reporter ultérieurement.

Le terme "outil électrique" dans les avertissements fait référence à votre outil électrique alimenté par le secteur (avec cordon d'alimentation) ou votre outil électrique fonctionnant sur batterie (sans cordon d'alimentation).

Sécurité de la zone de travail

- ▶ **Conserver la zone de travail propre et bien éclairée.**
Les zones en désordre ou sombres sont propices aux accidents.
- ▶ **Ne pas faire fonctionner les outils électriques en atmosphère explosive, par exemple en présence de liquides inflammables, de gaz ou de poussières.** Les outils électriques produisent des étincelles qui peuvent enflammer les poussières ou les fumées.
- ▶ **Maintenir les enfants et les personnes présentes à l'écart pendant l'utilisation de l'outil électrique.** Les distractions peuvent vous faire perdre le contrôle de l'outil.

Sécurité électrique

- ▶ **Il faut que les fiches de l'outil électrique soient adaptées au socle. Ne jamais modifier la fiche de quelque**

façon que ce soit. Ne pas utiliser d'adaptateurs avec des outils électriques à branchement de terre. Des fiches non modifiées et des socles adaptés réduisent le risque de choc électrique.

- ▶ **Éviter tout contact du corps avec des surfaces reliées à la terre telles que les tuyaux, les radiateurs, les cuisinières et les réfrigérateurs.** Il existe un risque accru de choc électrique si votre corps est relié à la terre.
- ▶ **Ne pas exposer les outils électriques à la pluie ou à des conditions humides.** La pénétration d'eau à l'intérieur d'un outil électrique augmente le risque de choc électrique.
- ▶ **Ne pas maltraiter le cordon. Ne jamais utiliser le cordon pour porter, tirer ou débrancher l'outil électrique. Maintenir le cordon à l'écart de la chaleur, du lubrifiant, des arêtes vives ou des parties en mouvement.** Des cordons endommagés ou emmêlés augmentent le risque de choc électrique.
- ▶ **Lorsqu'on utilise un outil électrique à l'extérieur, utiliser un prolongateur adapté à l'utilisation extérieure.** L'utilisation d'un cordon adapté à l'utilisation extérieure réduit le risque de choc électrique.
- ▶ **Si l'usage d'un outil électrique dans un emplacement humide est inévitable, utiliser une alimentation protégée par un dispositif à courant résiduel résiduel (RCD).** L'usage d'un RCD réduit le risque de choc électrique.

Sécurité des personnes

- ▶ **Rester vigilant, regarder ce que vous êtes en train de faire et faire preuve de bon sens dans votre utilisation de l'outil électrique. Ne pas utiliser un outil électrique lorsque vous êtes fatigué ou sous l'emprise de drogues, de l'alcool ou de médicaments.** Un moment d'inattention en cours d'utilisation d'un outil électrique peut entraîner des blessures graves.
- ▶ **Utiliser un équipement de protection individuelle. Toujours porter une protection pour les yeux.** Les équipements de protection individuelle tels que les masques contre les poussières, les chaussures de sécurité antidérapantes, les casques ou les protections auditives utilisés pour les conditions appropriées réduisent les blessures.
- ▶ **Éviter tout démarrage intempestif. S'assurer que l'interrupteur est en position arrêté avant de brancher l'outil au secteur et/ou au bloc de batteries, de le ramasser ou de le porter.** Porter les outils électriques en ayant le doigt sur l'interrupteur ou brancher des outils électriques dont l'interrupteur est en position marche est source d'accidents.
- ▶ **Retirer toute clé de réglage avant de mettre l'outil électrique en marche.** Une clé laissée fixée sur une partie tournante de l'outil électrique peut donner lieu à des blessures.
- ▶ **Ne pas se précipiter. Garder une position et un équilibre adaptés à tout moment.** Cela permet un meilleur

contrôle de l'outil électrique dans des situations inattendues.

- ▶ **S'habiller de manière adaptée. Ne pas porter de vêtements amples ou de bijoux. Garder les cheveux et les vêtements à distance des parties en mouvement.** Des vêtements amples, des bijoux ou les cheveux longs peuvent être pris dans des parties en mouvement.
- ▶ **Si des dispositifs sont fournis pour le raccordement d'équipements pour l'extraction et la récupération des poussières, s'assurer qu'ils sont connectés et correctement utilisés.** Utiliser des collecteurs de poussière peut réduire les risques dus aux poussières.
- ▶ **Rester vigilant et ne pas négliger les principes de sécurité de l'outil sous prétexte que vous avez l'habitude de l'utiliser.** Une fraction de seconde d'inattention peut provoquer une blessure grave.

Utilisation et entretien de l'outil électrique

- ▶ **Ne pas forcer l'outil électrique. Utiliser l'outil électrique adapté à votre application.** L'outil électrique adapté réalise mieux le travail et de manière plus sûre au régime pour lequel il a été construit.
- ▶ **Ne pas utiliser l'outil électrique si l'interrupteur ne permet pas de passer de l'état de marche à arrêt et inversement.** Tout outil électrique qui ne peut pas être commandé par l'interrupteur est dangereux et il faut le réparer.
- ▶ **Débrancher la fiche de la source d'alimentation et/ou enlever le bloc de batteries, s'il est amovible, avant tout réglage, changement d'accessoires ou avant de ranger l'outil électrique.** De telles mesures de sécurité préventives réduisent le risque de démarrage accidentel de l'outil électrique.
- ▶ **Conserver les outils électriques à l'arrêt hors de la portée des enfants et ne pas permettre à des personnes ne connaissant pas l'outil électrique ou les présentes instructions de le faire fonctionner.** Les outils électriques sont dangereux entre les mains d'utilisateurs novices.
- ▶ **Observer la maintenance des outils électriques et des accessoires. Vérifier qu'il n'y a pas de mauvais alignement ou de blocage des parties mobiles, des pièces cassées ou toute autre condition pouvant affecter le fonctionnement de l'outil électrique. En cas de dommages, faire réparer l'outil électrique avant de l'utiliser.** De nombreux accidents sont dus à des outils électriques mal entretenus.
- ▶ **Garder affûtés et propres les outils permettant de couper.** Des outils destinés à couper correctement entretenus avec des pièces coupantes tranchantes sont moins susceptibles de bloquer et sont plus faciles à contrôler.
- ▶ **Utiliser l'outil électrique, les accessoires et les lames etc., conformément à ces instructions, en tenant compte des conditions de travail et du travail à réaliser.** L'utilisation de l'outil électrique pour des opérations

différentes de celles prévues peut donner lieu à des situations dangereuses.

- ▶ **Il faut que les poignées et les surfaces de préhension restent sèches, propres et dépourvues d'huiles et de graisses.** Des poignées et des surfaces de préhension glissantes rendent impossibles la manipulation et le contrôle en toute sécurité de l'outil dans les situations inattendues.

Utilisation des outils fonctionnant sur batteries et précautions d'emploi

- ▶ **Ne recharger qu'avec le chargeur spécifié par le fabricant.** Un chargeur qui est adapté à un type de bloc de batteries peut créer un risque de feu lorsqu'il est utilisé avec un autre type de bloc de batteries.
- ▶ **N'utiliser les outils électriques qu'avec des blocs de batteries spécifiquement désignés.** L'utilisation de tout autre bloc de batteries peut créer un risque de blessure et de feu.
- ▶ **Lorsqu'un bloc de batteries n'est pas utilisé, le maintenir à l'écart de tout autre objet métallique, par exemple trombones, pièces de monnaie, clés, clous, vis ou autres objets de petite taille qui peuvent donner lieu à une connexion d'une borne à une autre.** Le court-circuitage des bornes d'une batterie entre elles peut causer des brûlures ou un feu.
- ▶ **Dans de mauvaises conditions, du liquide peut être éjecté de la batterie; éviter tout contact. En cas de contact accidentel, nettoyer à l'eau. Si le liquide entre en contact avec les yeux, rechercher en plus une aide médicale.** Le liquide éjecté des batteries peut causer des irritations ou des brûlures.
- ▶ **Ne pas utiliser un bloc de batteries ou un outil fonctionnant sur batteries qui a été endommagé ou modifié.** Les batteries endommagées ou modifiées peuvent avoir un comportement imprévisible provoquant un feu, une explosion ou un risque de blessure.
- ▶ **Ne pas exposer un bloc de batteries ou un outil fonctionnant sur batteries au feu ou à une température excessive.** Une exposition au feu ou à une température supérieure à 130 °C peut provoquer une explosion.
- ▶ **Suivre toutes les instructions de charge et ne pas charger le bloc de batteries ou l'outil fonctionnant sur batteries hors de la plage de températures spécifiée dans les instructions.** Un chargement incorrect ou à des températures hors de la plage spécifiée de températures peut endommager la batterie et augmenter le risque de feu.

Maintenance et entretien

- ▶ **Faire entretenir l'outil électrique par un réparateur qualifié utilisant uniquement des pièces de rechange identiques.** Cela assure le maintien de la sécurité de l'outil électrique.
- ▶ **Ne jamais effectuer d'opération d'entretien sur des blocs de batteries endommagés.** Il convient que l'entretien des blocs de batteries ne soit effectué que par le fabricant ou les fournisseurs de service autorisés.

Avertissements de sécurité pour les marteaux

Instructions de sécurité pour toutes les opérations

- ▶ **Porter des protecteurs d'oreilles.** L'exposition au bruit peut provoquer une perte de l'audition.
- ▶ **Utiliser la ou les poignées auxiliaires, si l'outil en est équipé.** Toute perte de contrôle peut entraîner des dommages corporels.
- ▶ **Tenir l'outil électrique par des surfaces de préhension isolées au cours d'une opération où l'accessoire de coupe ou les vis peut être en contact avec des fils dissimulés.** Des accessoires de coupe en contact avec un fil "sous tension" peuvent mettre des parties métalliques exposées de l'outil électrique "sous tension" et provoquer un choc électrique chez l'opérateur.

Instructions de sécurité lors de l'utilisation de longs forets avec des marteaux rotatifs

- ▶ **Toujours commencer à percer à faible vitesse et avec la pointe du foret en contact avec la pièce à usiner.** A des vitesses plus élevées, la pointe est susceptible de se plier s'il lui est permis de tourner librement sans entrer en contact avec la pièce à usiner, entraînant des dommages corporels.
- ▶ **Appliquer la pression uniquement en ligne directe avec la pointe et ne pas appliquer de pression excessive.** Les pointes peuvent se plier et provoquer une rupture ou une perte de contrôle, entraînant des dommages corporels.

Consignes de sécurité additionnelles

- ▶ **Utilisez un détecteur approprié pour vérifier s'il n'y a pas de conduites cachées ou contactez votre société de distribution d'eau locale.** Tout contact avec des câbles électriques peut provoquer un incendie ou un choc électrique. Tout endommagement d'une conduite de gaz peut provoquer une explosion. La perforation d'une conduite d'eau provoque des dégâts matériels.
- ▶ **Avant de poser l'outil électroportatif, attendez que celui-ci soit complètement à l'arrêt.** L'outil risque de se coincer, ce qui entraînerait une perte de contrôle de l'outil électroportatif.
- ▶ **Bloquez la pièce à travailler.** Une pièce à travailler serrée par des dispositifs de serrage appropriés ou dans un étau est fixée de manière plus sûre que quand elle est tenue avec une main.
- ▶ **Si l'accu est endommagé ou utilisé de manière non conforme, des vapeurs peuvent s'échapper. L'accu peut brûler ou exploser.** Ventilez le local et consultez un médecin en cas de malaise. Les vapeurs peuvent entraîner des irritations des voies respiratoires.
- ▶ **N'ouvrez pas l'accu.** Risque de court-circuit.
- ▶ **Les objets pointus comme un clou ou un tournevis et le fait d'exercer une force extérieure sur le boîtier risque d'endommager l'accu.** Il peut en résulter un court-circuit interne et l'accu risque de s'enflammer, de dégager des fumées, d'exploser ou de surchauffer.

- ▶ **N'utilisez l'accu que sur les produits du fabricant.** Tout risque de surcharge dangereuse sera alors exclu.



Conservez la batterie à l'abri de la chaleur, en la protégeant p. ex. de l'ensoleillement direct, du feu, de la saleté, de l'eau et de l'humidité. Il existe un risque d'explosion et de courts-circuits.



- ▶ **Ne touchez pas les accessoires ou pièces adjacentes du carter juste après l'utilisation de l'outil électroportatif.** Ils peuvent devenir très chauds et causer des brûlures.
- ▶ **L'accessoire de travail peut se bloquer lors des perçages. Tenez fermement l'outil électroportatif des deux mains et veillez à toujours travailler dans une position stable.** Vous risquez sinon de perdre le contrôle de l'outil électroportatif.
- ▶ **Soyez prudent lors de travaux de démolition avec un burin.** Les fragments de matériau qui se détachent risquent de vous blesser et de blesser les personnes qui se trouvent à proximité.
- ▶ **Lors du travail, tenez fermement l'outil électroportatif des deux mains et veillez à toujours garder une position de travail stable.** Avec les deux mains, l'outil électroportatif est guidé en toute sécurité.
- ▶ **Attention ! En cas d'utilisation de l'outil électroportatif en mode Bluetooth®, les ondes émises risquent de perturber le fonctionnement de certains appareils et installations ainsi que le fonctionnement des avions et des appareils médicaux (par ex. stimulateurs cardiaques, prothèses auditives). Un effet nocif sur les personnes et les animaux à proximité immédiate ne peut être entièrement exclu. N'utilisez pas l'outil électroportatif en mesure en mode Bluetooth® à proximité d'appareils médicaux, de stations-service, d'usines chimiques et lorsque vous vous trouvez dans des zones à risque d'explosion ou dans des zones de dynamitage. N'utilisez pas l'outil électroportatif en mode Bluetooth® dans des avions. Évitez une utilisation prolongée à proximité directe du corps.**

Le nom de marque *Bluetooth®* et le logo associé sont des marques déposées de la Bluetooth SIG, Inc. Toute utilisation de cette marque/de ce logo par la société Robert Bosch Power Tools GmbH s'effectue sous licence.

Description des prestations et du produit



Lisez attentivement toutes les instructions et consignes de sécurité. Le non-respect des instructions et consignes de sécurité peut provoquer un choc électrique, un incendie et/ou entraîner de graves blessures.

Référez-vous aux illustrations qui se trouvent à l'avant de la notice d'utilisation.

Utilisation conforme

Cet outil électroportatif est destiné aux travaux de perforation dans le béton, la brique et la pierre naturelle ainsi qu'aux travaux de burinage légers. Il convient aussi pour les perçages sans percussion dans le bois, le métal, la céramique et les matières plastiques. Les outils électroportatifs avec régulation électronique et réversibilité rotation droite/gauche sont également appropriés pour le vissage.

En cas d'utilisation d'un module *Bluetooth*® Low Energy **GCY 42**, les données et les réglages de l'outil électroportatif peuvent être transmis à un périphérique mobile par voie radio au moyen de la technologie *Bluetooth*®.

Éléments constitutifs

La numérotation des éléments se réfère à la représentation de l'outil électroportatif sur la page graphique.

- (1) Mandrin interchangeable à serrage rapide (**GBH 18V-28 CF**)
- (2) Mandrin interchangeable SDS plus (**GBH 18V-28 CF**)
- (3) Porte-outil SDS plus
- (4) Capuchon anti-poussière
- (5) Bague de verrouillage
- (6) Bague de verrouillage du mandrin interchangeable (**GBH 18V-28 CF**)
- (7) Système d'amortissement des vibrations
- (8) Écran de contrôle
- (9) Bouton de déverrouillage d'accu^{a)}
- (10) Sélecteur de sens de rotation
- (11) Poignée (surface de préhension isolée)
- (12) Interrupteur Marche/Arrêt
- (13) Étrier de suspension
- (14) Accu^{a)}
- (15) Cache du module Bluetooth
- (16) Bouton de déverrouillage du sélecteur stop de rotation/stop de frappe
- (17) Sélecteur stop de rotation/stop de frappe
- (18) LED d'éclairage
- (19) Bouton de réglage de butée de profondeur
- (20) Poignée supplémentaire (surface de préhension isolée)
- (21) Butée de profondeur
- (22) Indicateur d'état de charge de l'accu (écran de contrôle)
- (23) Symbole paramétrage de la vitesse via smart-phone (écran de contrôle)
- (24) Symbole puissance réduite (écran de contrôle)
- (25) Affichage modes de fonctionnement (écran de contrôle)
- (26) Touche de sélection de mode de fonctionnement (écran de contrôle)
- (27) Symbole puissance maximale (écran de contrôle)
- (28) Symbole smartphone (écran de contrôle)
- (29) LED d'état de l'outil électroportatif (écran de contrôle)
- (30) Vis de blocage du mandrin à clé (**GBH 18V-28 C**)^{a)}
- (31) Mandrin à clé (**GBH 18V-28 C**)^{a)}
- (32) Adaptateur SDS plus pour mandrin (**GBH 18V-28 C**)^{a)}
- (33) Logement de mandrin (**GBH 18V-28 CF**)
- (34) Rainures de centrage
- (35) Clé de mandrin (**GBH 18V-28 C**)
- (36) Bague avant du mandrin interchangeable à serrage rapide (**GBH 18V-28 CF**)
- (37) Bague de maintien du mandrin interchangeable à serrage rapide (**GBH 18V-28 CF**)
- (38) Porte-outil universel avec emmanchement SDS plus^{a)}
- (39) Zone de fixation de la sécurité antichute sur l'outil électroportatif
- (40) Sécurité antichute^{b)}
- (41) Point d'ancrage fixe de la sécurité antichute^{b)}

a) Les accessoires décrits ou illustrés ne sont pas tous compris dans la fourniture. Vous trouverez l'ensemble des accessoires dans notre gamme d'accessoires.

b) Les accessoires représentés ou décrits ne sont pas fournis et ne font pas partie de la gamme d'accessoires Bosch.

Caractéristiques techniques

Perforeur sans-fil	GBH 18V-28 C	GBH 18V-28 CF
Référence	3 611 J20 0..	3 611 J21 0..
Variateur de vitesse	●	●
Stop de rotation	●	●
Réversibilité droite/gauche	●	●
Mandrin interchangeable	–	●
Tension nominale	V= 18	18
Fréquence de frappe ^{A)}	min ⁻¹ 0–4220	0–4220

Perforateur sans-fil		GBH 18V-28 C	GBH 18V-28 CF
Force de frappe selon EPTA-Procédure 05:2016	J	3,3	3,3
Régime à vide ^{A)}			
– Rotation droite	tr/min	0–950	0–950
– Rotation gauche	tr/min	0–950	0–950
Porte-outil		SDS plus	SDS plus
Diamètre du collet de broche	mm	50	50
Diamètre de perçage maxi :			
– Béton	mm	28	28
– Maçonnerie (avec scie-trépan)	mm	82	82
– Acier	mm	13	13
– Bois	mm	30	30
Poids sans accu	kg	3,3	3,4
Poids selon EPTA-Procédure 01:2014	kg	3,7–4,7	3,8–4,8
Longueur	mm	349	378
Hauteur	mm	225	225
Largeur	mm	92	92
Températures ambiantes recommandées pour la charge	°C	0 ... +35	0 ... +35
Températures ambiantes admissibles pendant l'utilisation ^{B)} et pour le stockage	°C	-15 ... +50	-15 ... +50
Accus compatibles		GBA 18V... ProCORE18V...	GBA 18V... ProCORE18V...
Accus recommandés		GBA 18V... ≥ 5,0 Ah ProCORE18V... ≥ 4,0 Ah	GBA 18V... ≥ 5,0 Ah ProCORE18V... ≥ 4,0 Ah
Chargeurs recommandés		GAL 18... GAX 18... GAL 36...	GAL 18... GAX 18... GAL 36...

A) Mesuré à 20–25 °C avec accu **ProCORE18V 4.0Ah**.

B) Performances réduites à des températures < 0 °C

Les valeurs peuvent varier selon le produit, les conditions d'utilisation et les conditions ambiantes. Pour plus d'informations, rendez-vous sur www.bosch-professional.com/wac.

Accu

Bosch vend ses outils électroportatifs sans-fil aussi sans accu. Il est indiqué sur l'emballage si un accu est fourni ou non avec l'outil électroportatif.

Recharge de l'accu

► **N'utilisez que les chargeurs indiqués dans les Caractéristiques techniques.** Seuls ces chargeurs sont adaptés à l'accu Lithium-Ion de votre outil électroportatif.

Remarque : Les dispositions internationales en vigueur pour le transport de marchandises obligent à livrer les accus Lithium-Ion partiellement chargés. Pour que les accus soient pleinement performants, chargez-les complètement avant leur première utilisation.

Mise en place de l'accu

Insérez l'accu dans le compartiment à accu jusqu'à ce qu'il s'enclenche.

Retrait de l'accu

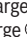

Pour retirer l'accu, appuyez sur le bouton de déverrouillage de l'accu et sortez l'accu de l'outil électroportatif. **Ne forcez pas.**

L'accu dispose d'un double verrouillage permettant d'éviter qu'il tombe si vous appuyez par mégarde sur le bouton de déverrouillage d'accu. Tant que l'accu est en place dans l'outil électroportatif, un ressort le maintient en position.

Indicateur de niveau de charge de l'accu

Les LED vertes de l'indicateur d'état de charge indiquent le niveau de charge de la batterie. Pour des raisons de sécuri-

té, il n'est possible d'afficher l'état de charge que quand l'outil électroportatif est à l'arrêt.

Pour afficher le niveau de charge, appuyez sur le bouton de l'indicateur de niveau de charge  ou . L'affichage du niveau de charge est également possible après retrait de l'accu.

Si aucune LED ne s'allume après avoir appuyé sur le bouton de l'indicateur de niveau de charge, la batterie est défectueuse et doit être remplacée.

Le niveau de charge de l'accu est également affiché sur l'écran de contrôle Affichages d'état.

Batterie de type GBA 18V...



LED	Capacité
Allumage permanent en vert de 3 LED	60–100 %
Allumage permanent en vert de 2 LED	30–60 %
Allumage permanent en vert de 1 LED	5–30 %
Clignotement en vert de 1 LED	0–5 %

Batterie de type ProCORE18V...



LED	Capacité
Allumage permanent en vert de 5 LED	80–100 %
Allumage permanent en vert de 4 LED	60–80 %
Allumage permanent en vert de 3 LED	40–60 %
Allumage permanent en vert de 2 LED	20–40 %
Allumage permanent en vert de 1 LED	5–20 %
Clignotement en vert de 1 LED	0–5 %

Indications pour une utilisation optimale de la batterie

Protégez l'accu de l'humidité et de l'eau.

Ne stockez l'accu que dans la plage de températures de –20 à 50 °C. Ne laissez par ex. pas l'accu dans une voiture en plein été.

Nettoyez de temps en temps les orifices de ventilation de l'accu à l'aide d'un pinceau doux, propre et sec.

Une baisse notable de l'autonomie de l'accu au fil des recharges effectuées indique que l'accu est arrivé en fin de vie et qu'il doit être remplacé.

Respectez les indications concernant l'élimination.

Montage

- **Retirez l'accu de l'appareil électroportatif avant toute intervention (opérations d'entretien/de maintenance, changement d'accessoire, etc.) ainsi que lors de son transport et rangement.** Il y a sinon risque de blessure

lorsqu'on appuie par mégarde sur l'interrupteur Marche/Arrêt.

Mise en place du module **Bluetooth® Low Energy GCY 42** (accessoire)

Pour plus d'informations, veuillez lire la notice d'utilisation du module **Bluetooth® Low Energy GCY 42**.

Poignée supplémentaire

- **N'utilisez pas l'outil électroportatif sans la poignée supplémentaire (20).**
- **Assurez-vous que la poignée supplémentaire est bien serrée.** Vous risquez sinon de perdre le contrôle de l'outil électroportatif.

Pivotement de la poignée supplémentaire (voir figure A)

La poignée supplémentaire (20) peut être orientée dans n'importe quelle position, pour obtenir une position de travail sûre et peu fatigante.

- Tournez la poignée supplémentaire (20) dans le sens antihoraire et orientez la poignée supplémentaire (20) dans la position souhaitée. Resserrez ensuite la poignée supplémentaire (20) en la tournant dans le sens horaire. Veillez à ce que le collier de serrage de la poignée supplémentaire se trouve bien dans la rainure du carter prévue à cet effet.

Choix du mandrin et des accessoires

Pour les travaux de perforation et burinage, il est nécessaire d'utiliser des accessoires SDS-plus et le mandrin SDS-plus.

Pour les travaux de perçage sans percussion dans le bois, le métal, la céramique ou les plastiques, ainsi que pour le vissage, il convient d'utiliser des accessoires sans système SDS-plus (p. ex. forets à queue cylindrique). Pour ce type d'accessoire, il vous faut utiliser soit un mandrin automatique, soit un mandrin à couronne dentée.

Changement de mandrin

Insertion/retrait du mandrin à couronne dentée

GBH 18V-28 C

Afin de travailler avec des outils sans système SDS-plus (p. ex. forets à queue cylindrique), vous devez monter un mandrin adapté (mandrin automatique ou à couronne dentée, accessoire).

Montage du mandrin à couronne dentée (voir figure B)

- Vissez le porte-embout SDS-plus (32) dans un mandrin à couronne dentée (31). Sécurisez le mandrin à couronne dentée (31) à l'aide de la vis de blocage (30). **Notez que la vis de blocage a un filetage à gauche.**

Mise en place du mandrin à clé (voir figure B)

- Nettoyez l'emmanchement du dispositif de fixation et graissez-le légèrement.
- Enfoncez le mandrin à couronne dentée par le dispositif de fixation en le tournant dans le porte-outil jusqu'à ce qu'il se verrouille automatiquement.

- Contrôlez qu'il est bien verrouillé en tirant sur le mandrin à couronne dentée.

Démontage du mandrin à couronne dentée

- Poussez la bague de verrouillage (5) vers l'arrière et retirez le mandrin à couronne dentée (31).

Retrait/mise en place du mandrin interchangeable

GBH 18V-28 CF

Retrait du mandrin interchangeable (voir figure C)

- Tirez fermement la bague de verrouillage du mandrin interchangeable (6) vers l'arrière, maintenez-la dans cette position et retirez le mandrin interchangeable SDS plus (2) ou le mandrin interchangeable à serrage rapide (1) vers l'avant.
- Après avoir extrait le mandrin interchangeable, protégez-le des salissures.

Mise en place du mandrin interchangeable (voir figure D)

► **Utilisez uniquement l'équipement d'origine dédié au modèle et veillez au bon nombre de rainures de centrage (34). Seuls des mandrins interchangeables avec deux ou trois rainures de centrage sont admissibles.**

En cas d'utilisation d'un mandrin interchangeable inapproprié, l'accessoire risque de tomber en cours d'utilisation.

- Avant sa mise en place, nettoyez le mandrin interchangeable et graissez légèrement son extrémité.
- Saisissez le mandrin interchangeable SDS-plus (2) ou le mandrin interchangeable à serrage rapide (1) à pleine main. Engagez le mandrin interchangeable dans le mécanisme de fixation (33) en opérant un léger mouvement de rotation, jusqu'à ce qu'il s'encliquette de manière audible.
- Le mandrin interchangeable se verrouille automatiquement. Vérifiez que le mandrin interchangeable est correctement verrouillé en tirant dessus.

Changement d'accessoire

Le capuchon anti-poussière (4) empêche dans une large mesure la poussière de pénétrer dans le porte-outil pendant l'utilisation de l'outil électroportatif. Lors du montage de l'accessoire de travail, veillez à ne pas endommager le capuchon anti-poussière (4).

► **Remplacez immédiatement le capuchon anti-poussière s'il est endommagé. Il est recommandé de faire effectuer ce travail dans un centre de service après-vente.**

Changement d'accessoire (SDS plus)

Montage d'un accessoire de travail SDS plus (voir figure E)

Le mandrin SDS-plus permet de remplacer l'accessoire de travail facilement et confortablement sans avoir à utiliser de clé supplémentaire.

- **GBH 18V-28 CF** : Insérez le mandrin interchangeable SDS plus (2).
- Nettoyez l'extrémité de l'accessoire, et graissez-la légèrement.

- Introduisez l'accessoire de travail dans le porte-outil en le tournant jusqu'à ce qu'il se verrouille automatiquement.
- Tirez sur l'accessoire pour vérifier qu'il est bien bloqué.

Avec ce système de fixation, l'accessoire de travail SDS-plus dispose d'une certaine mobilité. Il en résulte lors de la rotation à vide une excentricité qui n'a cependant aucun effet sur l'exactitude du perçage puisque le foret se centre automatiquement pendant le perçage.

Démontage d'un accessoire de travail SDS-plus (voir figure F)

- Poussez la bague de verrouillage (5) vers l'arrière et sortez l'accessoire de travail.

Remplacement d'un accessoire sur le mandrin à clé

GBH 18V-28 C

Mise en place d'un accessoire de travail (voir figure G)

Remarque : N'utilisez pas d'accessoires non SDS plus pour perforeur ou buriner ! Les accessoires non SDS plus et leur mandrin seraient endommagés lors des travaux de perforation ou burinage.

- Insérez un mandrin à couronne dentée (31).
- Ouvrez le mandrin à couronne dentée (31) en le tournant jusqu'à pouvoir insérer l'accessoire de travail. Insérez l'accessoire de travail.
- Introduisez la clé de mandrin (35) successivement dans tous les orifices du mandrin à couronne dentée (31) et serrez l'accessoire de manière uniforme.
- Tournez le sélecteur stop de rotation/de frappe (17) dans la position « perçage ».

Démontage d'un accessoire de travail (voir figure H)

- Tournez fermement à la main la bague du mandrin à couronne dentée (31) dans le sens antihoraire à l'aide de la clé à mandrin (35), jusqu'à ce que l'accessoire de travail puisse être retiré.

Changement du mandrin interchangeable à serrage rapide

GBH 18V-28 CF

Mise en place d'un accessoire de travail (voir figure I)

Remarque : N'utilisez pas d'accessoires non SDS plus pour perforeur ou buriner ! Les accessoires non SDS plus et leur mandrin seraient endommagés lors des travaux de perforation ou burinage.

- Mettez en place le mandrin interchangeable à serrage rapide (1).
- Tenez fermement la bague de maintien (37) du mandrin interchangeable à serrage rapide. En tournant la bague avant (36), ouvrez le porte-outil jusqu'à ce que l'accessoire puisse être introduit. Maintenez en position la bague de maintien (37) et tournez la bague avant (36) avec force dans le sens de la flèche jusqu'à ce qu'un bruit de cliquet soit nettement audible.
- Vérifiez que l'accessoire est bien fixé en tirant dessus.

Remarque : si le porte-outil a été ouvert à fond, il est possible qu'un bruit de cliquet soit audible lorsque vous essayez de fermer le porte-outil et que le porte-outil ne se ferme pas.

Dans un tel cas, tournez la bague avant une fois dans le sens antihoraire. Il est ensuite possible de fermer le porte-outil normalement.

- Tournez le sélecteur stop de rotation/de frappe (17) dans la position « Perçage ».

Retrait d'un accessoire de travail (voir figure J)

- Tenez fermement la bague de maintien (37) du mandrin interchangeable à serrage rapide. En tournant la bague avant (36), ouvrez le porte-outil dans le sens de la flèche jusqu'à ce que l'accessoire puisse être extrait.

Aspiration de poussières/de copeaux

Les poussières de matériaux tels que peintures contenant du plomb, certains bois, minéraux ou métaux, peuvent être nuisibles à la santé. Le contact avec les poussières ou leur inhalation peut entraîner des réactions allergiques et/ou des maladies respiratoires auprès de l'utilisateur ou des personnes se trouvant à proximité.

Certaines poussières telles que les poussières de chêne ou de hêtre sont considérées comme cancérogènes, surtout en association avec des additifs pour le traitement du bois (chromate, lasure). Les matériaux contenant de l'amiante ne doivent être travaillés que par des personnes qualifiées.

- Si possible, utilisez un dispositif d'aspiration des poussières approprié au matériau.
- Veillez à bien aérer la zone de travail.
- Il est recommandé de porter un masque respiratoire avec un niveau de filtration de classe P2.

Respectez les règlements spécifiques aux matériaux à traiter en vigueur dans votre pays.

- **Évitez toute accumulation de poussières sur le lieu de travail.** Les poussières peuvent facilement s'enflammer.

Aspiration des poussières avec GDE 18V-16 (accessoire (voir figure K))

Pour l'aspiration des poussières de béton et de matières minérales, un dispositif d'aspiration GDE 18V-16 (accessoire) est requis.

Ce système d'aspiration n'est conçu ni pour les poussières de bois, de métaux et de plastiques ni pour les poussières nocives (par ex. amiante).

Fonctionnement

Mise en marche

- Veillez à ce que le cache (15) du module *Bluetooth*® Low Energy Module GCY 42 soit fermé pendant l'utilisation de l'outil. Vous évitez ainsi toute pénétration de poussière.


Sélection d'un mode de fonctionnement


Sélectionnez le mode de fonctionnement voulu de l'outil électroportatif avec le sélecteur stop de rotation/de frappe (17).


- Pour changer de mode de fonctionnement, appuyez sur le bouton de déverrouillage (16) et tournez le sélecteur stop de rotation/de frappe (17) dans la position voulue jusqu'à ce qu'il s'enclenche.

Remarque : ne changez de mode de fonctionnement que lorsque l'outil électroportatif est éteint ! Vous risqueriez d'endommager l'outil électroportatif.

 Position pour **perforer** dans le béton et dans la pierre naturelle

 Position pour **percer** sans percussion dans le bois, le métal, la céramique ou les matières plastiques ainsi que pour **visser**

 Position **Vario-Lock** pour régler la position du burin
Dans cette position, le sélecteur stop de rotation/de frappe (17) ne s'enclenche pas.

 Position pour **buriner**

Sélection du sens de rotation

Le sélecteur de sens de rotation (10) permet d'inverser le sens de rotation de l'outil électroportatif. Cela n'est toutefois pas possible lorsque l'on appuie sur l'interrupteur Marche/Arrêt (12).

- **N'actionnez le sélecteur de sens de rotation (10) que quand l'outil électroportatif est à l'arrêt.**

Sélectionnez toujours la rotation droite pour les travaux de perforation, perçage et burinage.

- **Rotation droite :** Pour percer et visser, poussez le sélecteur de sens de rotation (10) jusqu'en butée vers la gauche.
- **Rotation gauche :** Pour desserrer ou dévisser des vis et des écrous, poussez le sélecteur de sens de rotation (10) à fond vers la droite.

Remarque : Quand le sélecteur de sens de rotation se trouve en position médiane, l'interrupteur Marche/Arrêt est bloqué.

Mise en marche/arrêt

- Pour **mettre en marche** l'outil électroportatif, appuyez sur l'interrupteur Marche/Arrêt (12).

La LED (18) s'allume dès que l'interrupteur Marche/Arrêt (12) est enfoncé légèrement ou complètement. Elle permet d'éclairer la zone de travail dans les endroits sombres.

Lors de la première mise en marche de l'outil électroportatif, un retard de démarrage est possible parce que l'électronique de l'outil électroportatif doit d'abord se configurer.

À basses températures, l'outil électroportatif n'atteint sa pleine puissance de percussion/capacité de frappe qu'au bout d'un certain temps.

- Pour **arrêter** l'outil électroportatif, relâchez l'interrupteur Marche/Arrêt (12).

Réglage de la vitesse de rotation/de la fréquence de frappe

Vous pouvez modifier en continu la vitesse de rotation/fréquence de frappe de l'outil électroportatif en jouant sur la pression exercée sur l'interrupteur Marche/Arrêt (12).

Une légère pression sur l'interrupteur Marche/Arrêt **(12)** produit une faible vitesse de rotation/fréquence de frappe. Plus l'on exerce de pression, plus la vitesse de rotation/la fréquence de frappe augmente.

Vous pouvez aussi régler la vitesse de rotation sur l'écran de contrôle ou via l'application pour smartphone dédiée.

Changement de la position du burin (Vario-Lock)

Il est possible de bloquer le burin dans **40** positions. Ceci permet de toujours travailler dans une position optimale.

- Insérez le burin dans le porte-outil.

- Tournez le sélecteur stop de rotation/de frappe **(17)** dans la position « Vario-Lock ».
- Tournez le burin jusqu'à ce qu'il se trouve dans la position souhaitée.
- Tournez le sélecteur stop de rotation/de frappe **(17)** dans la position « burinage ». Le porte-outil est alors bloqué.
- Pour buriner, sélectionnez la rotation droite.

Écran de contrôle (voir figure L)

L'écran de contrôle **(8)** sert à la sélection du mode de travail et à l'affichage d'état de l'outil électroportatif.

Affichages d'état

Indicateur d'état de charge de l'accu (écran de contrôle) (22)	Signification/cause	Remède
--	---------------------	--------

vert (2 à 5 barres)	Accu chargé	–
jaune (1 barre)	Accu presque vide	Changer l'accu ou le recharger sans tarder
rouge (1 barre)	Accu vide	Changer d'accu ou le recharger

Affichage d'état de l'outil électroportatif (29)	Signification/cause	Remède
--	---------------------	--------

Vert	État normal	–
Jaune	Température critique atteinte ou accu presque vide	Laisser refroidir l'outil électroportatif ou bien changer/recharger l'accu
Rouge	Outil électroportatif en surchauffe ou accu vide	Laisser refroidir l'outil électroportatif ou bien changer/recharger l'accu
Rouge	Le moteur est bloqué, l'accu est trop déchargé	Recharger l'accu ou monter le type d'accu recommandé
	Défaut général	– Arrêter et remettre en marche l'outil électroportatif ou bien retirer et réinsérer l'accu Si le défaut persiste : – Envoyer l'outil au service après-vente
Rouge clignotant	Entrée en action du dispositif d'arrêt rapide	Arrêter et remettre en marche l'outil électroportatif
Bleu clignotant	Outil électroportatif connecté à un appareil mobile via <i>Bluetooth</i> [®] ou réglages en cours de transmission	–

Symbole smartphone (28)	Signification/cause	Remède
-------------------------	---------------------	--------

Blanc	Des informations importantes sont disponibles (p. ex. alerte de température)	Lire le message sur le smartphone
-------	--	-----------------------------------

Sélection du mode de travail

Actionnez de façon répétée la touche **(26)** jusqu'à ce que le mode de travail souhaité soit éclairé.

Remarque : Dans le mode de travail **Favorite**, les fonctions doivent être configurées sur le smartphone via une application dédiée ; dans les modes **Auto** et **Soft** les fonctions sont préréglées.

Affichage mode de fonctionnement (25)**Fonctions**

Auto Le symbole puissance maximale (27) s'allume

Dans le mode **Auto**, l'outil électroportatif atteint la puissance maximale avec la vitesse de montée en régime maximale.

Favorite Le symbole paramétrage de la vitesse via smartphone (23) s'allume

Dans le mode **Favorite**, la puissance et la vitesse de montée en régime de l'outil électroportatif peuvent être personnalisées à partir d'un smartphone dans l'application mobile dédiée.

Soft Le symbole puissance réduite (24) s'allume

Dans le mode **Soft**, la puissance et la vitesse de montée en régime sont réduites.

Fonctions de connectivité**Prérequis pour l'utilisation de l'application****Prérequis système**

Appareil mobile (tablette, smartphone)	Android 6.0 (ou version ultérieure)
	iOS 11 (ou version ultérieure)

Installation de l'application mobile

Pour pouvoir utiliser les fonctions de connectivité, vous devez d'abord installer l'application mobile conçue pour votre appareil mobile (Android ou iOS).

- Téléchargez l'application sur la plateforme dédiée (Apple App Store ou Google Play Store).

Remarque : Pour ce faire, vous devez disposer d'un compte utilisateur donnant accès à la plateforme de téléchargement.

Nom de l'application	iOS	Android
Bosch Toolbox		

- Sélectionnez ensuite dans l'application le sous-menu **My-Tools** ou **Connectivité**.
- Sur l'écran de votre appareil mobile (smartphone, tablette) sont alors indiquées toutes les étapes à suivre pour connecter l'outil électroportatif à l'appareil mobile.

En combinaison avec le module *Bluetooth*® Low Energy **GCY 42**, les fonctions de connectivité suivantes sont disponibles pour l'outil électroportatif avec l'application Bosch Toolbox :

- Enregistrement
- Personnalisation du mode **Favorite** (puissance et comportement de démarrage)
- Réglages de l'outil (par ex. durée de fonctionnement du dispositif d'aspiration, paramètre éclairage)
- Vérification d'état, émission d'avertissements
- Informations générales
- Gestion

Pour plus d'informations, veuillez lire la notice d'utilisation du module *Bluetooth*® Low Energy **GCY 42**.

Le symbole smartphone (28) s'allume lorsque l'outil électroportatif transmet une information (par ex. une alerte de température) à un smartphone via *Bluetooth*®.

Désactivation des fonctions de connectivité

- **En présence du module *Bluetooth*® Low Energy, l'outil électroportatif est doté d'une interface radio. Observez les restrictions d'utilisation locales en vigueur, par ex. dans les avions ou dans les hôpitaux.**

Remarque : Le cache (15) ne peut être fermé correctement que si le module *Bluetooth*® Low Energy et la pile bouton se trouvent dans l'outil électroportatif.

- Pour **désactiver** le module *Bluetooth*® Low Energy, retournez la pile bouton ou intercalez un morceau de feuille isolante entre la pile bouton et le module *Bluetooth*® Low Energy.
- Fermez le cache (15) de façon à ce qu'aucune saleté ne puisse pénétrer à l'intérieur.

Instructions d'utilisation**Réglage de la profondeur de perçage (voir figure M)**

La butée de profondeur (21) permet de régler la profondeur de perçage **X** désirée.

- Appuyez sur le bouton de réglage de butée de profondeur (19) et insérez la butée de profondeur dans la poignée supplémentaire (20).
Le striage de la butée de profondeur (21) doit être orienté vers le bas.
- Poussez à fond l'accessoire de travail SDS-plus dans le porte-outil SDS-plus (3). Si l'accessoire SDS-plus n'est pas poussé à fond, le réglage de la profondeur de perçage risque d'être faussé.
- Tirez la butée de profondeur jusqu'à ce que l'écart entre la pointe du foret et la pointe de la butée de profondeur corresponde à la profondeur de perçage **X** souhaitée.

Débrayage de sécurité

- **Dès que l'accessoire de travail se coince ou qu'il s'accroche, l'entraînement de la broche est interrompu. En raison des forces intervenant, tenez toujours l'outil électroportatif fermement avec les deux mains et ayez une position ferme.**

- **Si l'outil électroportatif est bloqué, éteignez-le et desserrez l'outil de travail. Lorsqu'on met l'appareil en marche, l'outil de travail étant bloqué, il peut y avoir de fortes réactions.**

Arrêt rapide (Kickback Control)



Le dispositif d'arrêt rapide (KickBack Control) améliore la maîtrise de l'outil électroportatif et donc la sécurité d'utilisation par rapport aux outils électroportatifs sans KickBack Control. L'outil électroportatif s'arrête immédiatement dès qu'il se met subitement, et de façon imprévisible, à tourner autour de l'axe du foret, l'affichage Arrêt rapide (Kickback Control) s'allume en rouge et la LED d'éclairage (18) clignote. Quand l'arrêt rapide (Kickback Control) est actif, l'affichage d'état (29) clignote en rouge.

- Pour remettre en marche l'outil électroportatif, relâchez l'interrupteur Marche/Arrêt (12) et actionnez-le à nouveau.

Dispositif d'amortissement des vibrations



Le dispositif intégré d'amortissement des vibrations (Vibration Control) réduit les vibrations générées en cours d'utilisation.

- **Ne continuez pas à utiliser l'outil électroportatif si l'élément d'amortissement est endommagé.**

Montage des embouts de vissage (voir figure N)

- **Positionnez l'outil électroportatif sur la vis/sur l'écrou seulement lorsqu'il est à l'arrêt.** Un accessoire en rotation risque de glisser.

L'utilisation d'embouts de vissage nécessite de disposer d'un porte-outil universel (38) avec mécanisme de fixation SDS-plus (accessoire).

- Nettoyez l'emmanchement du dispositif de fixation et graissez-le légèrement.
- Enfoncez le porte-outil universel en le tournant dans le porte-outil jusqu'à ce qu'il verrouille automatiquement.
- Contrôlez qu'il est bien verrouillé en tirant sur le porte-outil universel.
- Mettez un embout de vissage dans le porte-outil universel. N'utilisez que des embouts de vissage appropriés à la tête de vis que vous voulez utiliser.
- Pour démonter le porte-outil universel, poussez la bague de verrouillage (5) vers l'arrière et retirez le porte-outil universel (38) du porte-outil.

Accrochage de l'outil électroportatif (voir figure O)

L'étrier de suspension (13) permet de fixer l'outil électroportatif à un dispositif de suspension approprié.

- Pour débloquer l'étrier de suspension (13), poussez-le brièvement en direction de la poignée (11). L'étrier de suspension revient en arrière de lui-même.
- Faites pivoter l'étrier de suspension vers le côté.

- Assurez-vous que l'étrier de suspension (13) n'est pas endommagé et qu'il n'est pas déformé. N'utilisez pas l'étrier de suspension (13) quand il est endommagé, déformé ou qu'il n'est plus correctement fixé à l'outil électroportatif.

- Accrochez l'outil électroportatif à un dispositif de suspension avec l'étrier de suspension (13).

Pour éviter les dommages et les blessures, veillez à ne pas suspendre l'outil électroportatif au-dessus de lieux de passage, allées ou couloirs ou très près de zones de travail.

L'étrier de suspension est uniquement conçu pour suspendre l'outil électroportatif avec ses accessoires éventuels.

- Avant d'utiliser l'outil électroportatif, ramenez l'étrier de suspension (13) dans sa position initiale en le faisant pivoter et exercez dessus une légère pression vers l'avant et le bas jusqu'à ce qu'il s'enclenche.

- **N'utilisez jamais l'étrier de suspension (13) comme sécurité antichute.**

Ne fixez jamais la sécurité antichute à l'étrier de suspension.

Fixation de la sécurité antichute (voir figure P)

Remarque : Pour protéger l'outil électroportatif contre un risque de chute, utilisez un moyen de sécurité antichute (40) approprié. La longueur maximale admissible de la sécurité antichute est de 1,8 m. Respectez impérativement la zone de fixation admissible (39) sur l'outil électroportatif.

Utilisez de préférence comme sécurité antichute une sangle ou longe fixée avec un anneau ou bien une sécurité antichute avec absorbeur d'énergie.

Pour la fixation de la sécurité antichute (40), respectez à tout prix les indications de cette notice d'utilisation.

- **Fixez l'autre extrémité de la sécurité antichute à une structure stable (par ex. bâtiment ou échafaudage) et jamais à un vêtement ou à votre poignet.**

La sécurité antichute doit offrir une bonne liberté de mouvement et ne doit être fixée qu'à un point d'ancrage fixe (41) et au niveau de la zone de fixation admissible (39) de l'outil électroportatif.

Sélectionnez le point d'ancrage fixe (41) de façon à ce qu'en cas de chute l'outil électroportatif soit retenu par la sécurité antichute sans s'enrouler autour de l'utilisateur et sans le mettre en danger ou risquer de le blesser.

N'utilisez jamais l'étrier de suspension (13) comme sécurité antichute.

Ne fixez jamais la sécurité antichute à l'étrier de suspension.

N'utilisez jamais la sécurité antichute de l'outil électroportatif en combinaison avec le dispositif d'aspiration GDE 18V-16 ou GDE 16 Plus.

Entretien et Service après-vente

Nettoyage et entretien

- ▶ **Retirez l'accu de l'appareil électroportatif avant toute intervention (opérations d'entretien/de maintenance, changement d'accessoire, etc.) ainsi que lors de son transport et rangement.** Il y a sinon risque de blessure lorsqu'on appuie par mégarde sur l'interrupteur Marche/Arrêt.
 - ▶ **Tenez toujours propres l'outil électroportatif ainsi que les fentes de ventilation afin d'obtenir un travail impeccable et sûr.**
 - ▶ **Remplacez immédiatement le capuchon anti-poussière s'il est endommagé. Il est recommandé de faire effectuer ce travail dans un centre de service après-vente.**
- Nettoyez le porte-outil (3) après chaque utilisation.

Service après-vente et conseil utilisateurs

Notre Service après-vente répond à vos questions concernant la réparation et l'entretien de votre produit et les pièces de rechange. Vous trouverez des vues éclatées et des informations sur les pièces de rechange sur le site :

www.bosch-pt.com

L'équipe de conseil utilisateurs Bosch se tient à votre disposition pour répondre à vos questions concernant nos produits et leurs accessoires.

Pour toute demande de renseignement ou toute commande de pièces de rechange, précisez impérativement la référence à 10 chiffres figurant sur l'étiquette signalétique du produit.

Maroc

Robert Bosch Morocco SARL
53, Rue Lieutenant Mahroud Mohamed
20300 Casablanca
Tel. : +212 5 29 31 43 27
E-Mail : sav.outillage@ma.bosch.com

Vous trouverez d'autres adresses du service après-vente sous :

www.bosch-pt.com/serviceaddresses

Transport

Les accus Lithium-ion recommandés sont soumis à la réglementation relative au transport de matières dangereuses. Pour le transport sur route par l'utilisateur, aucune autre mesure n'a besoin d'être prise.

Lors d'une expédition par un tiers (par ex. transport aérien ou entreprise de transport), des mesures spécifiques doivent être prises concernant l'emballage et le marquage. Pour la préparation de l'envoi, faites-vous conseiller par un expert en transport de matières dangereuses.

N'expédiez que des accus dont le boîtier n'est pas endommagé. Recouvrez les contacts non protégés et emballez l'accu de manière à ce qu'il ne puisse pas se déplacer dans l'emballage. Veuillez également respecter les réglementations supplémentaires éventuellement en vigueur.

Élimination des déchets



Les outils électroportatifs, les accus ainsi que leurs accessoires et emballages doivent être rapportés dans un centre de recyclage respectueux de l'environnement.



Ne jetez pas les outils électroportatifs et les accus/piles avec les ordures ménagères !

Accus/piles :

Li-Ion :

Veuillez respecter les indications se trouvant dans le chapitre Transport (voir « Transport », Page 28).

Portuguais

Instruções de segurança

Instruções gerais de segurança para ferramentas eléctricas

AVISO

Devem ser lidas todas as indicações de segurança,

instruções, ilustrações e especificações desta ferramenta eléctrica. O desrespeito das instruções apresentadas abaixo poderá resultar em choque eléctrico, incêndio e/ou ferimentos graves.

Guarde bem todas as advertências e instruções para futura referência.

O termo "ferramenta eléctrica" utilizado a seguir nas indicações de advertência, refere-se a ferramentas eléctricas operadas com corrente de rede (com cabo de rede) e a ferramentas eléctricas operadas com acumulador (sem cabo de rede).

Segurança da área de trabalho

- ▶ **Mantenha a sua área de trabalho sempre limpa e bem iluminada.** Desordem ou áreas de trabalho insuficientemente iluminadas podem levar a acidentes.
- ▶ **Não trabalhar com a ferramenta eléctrica em áreas com risco de explosão, nas quais se encontrem líquidos, gases ou pós inflamáveis.** Ferramentas eléctricas produzem faíscas, que podem inflamar pós ou vapores.
- ▶ **Manter crianças e outras pessoas afastadas da ferramenta eléctrica durante a utilização.** No caso de distração é possível que perca o controlo sobre o aparelho.

Segurança eléctrica

- ▶ **A ficha de conexão da ferramenta eléctrica deve caber na tomada. A ficha não deve ser modificada de maneira alguma. Não utilizar uma ficha de adaptação junto com ferramentas eléctricas protegidas por**

ligação à terra. Fichas não modificadas e tomadas apropriadas reduzem o risco de um choque eléctrico.

- ▶ **Evitar que o corpo possa entrar em contacto com superfícies ligadas à terra, como tubos, aquecimentos, fogões e frigoríficos.** Há um risco elevado devido a um choque eléctrico, se o corpo estiver ligado à terra.
- ▶ **Manter o aparelho afastado de chuva ou humidade.** A infiltração de água numa ferramenta eléctrica aumenta o risco de choque eléctrico.
- ▶ **Não deverá utilizar o cabo para outras finalidades. Nunca utilizar o cabo para transportar a ferramenta eléctrica, para pendurá-la, nem para puxar a ficha da tomada. Manter o cabo afastado do calor, do óleo, de arestas afiadas ou de peças em movimento.** Cabos danificados ou emaranhados aumentam o risco de um choque eléctrico.
- ▶ **Se trabalhar com uma ferramenta eléctrica ao ar livre, só deverá utilizar cabos de extensão apropriados para áreas exteriores.** A utilização de um cabo de extensão apropriado para áreas exteriores reduz o risco de um choque eléctrico.
- ▶ **Se não for possível evitar o funcionamento da ferramenta eléctrica em áreas húmidas, deverá ser utilizado um disjuntor de corrente de avaria.** A utilização de um disjuntor de corrente de avaria reduz o risco de um choque eléctrico.

Segurança de pessoas

- ▶ **Esteja atento, observe o que está a fazer e tenha prudência ao trabalhar com a ferramenta eléctrica. Não utilizar uma ferramenta eléctrica quando estiver fatigado ou sob a influência de drogas, álcool ou medicamentos.** Um momento de descuido ao utilizar a ferramenta eléctrica, pode levar a lesões graves.
- ▶ **Utilizar equipamento de protecção individual. Utilizar sempre óculos de protecção.** A utilização de equipamento de protecção pessoal, como máscara de protecção contra pó, sapatos de segurança antiderrapantes, capacete de segurança ou protecção auricular, de acordo com o tipo e aplicação da ferramenta eléctrica, reduz o risco de lesões.
- ▶ **Evitar uma colocação em funcionamento involuntária. Assegure-se de que a ferramenta eléctrica esteja desligada, antes de conectá-la à alimentação de rede e/ou ao acumulador, antes de levantá-la ou de transportá-la.** Se tiver o dedo no interruptor ao transportar a ferramenta eléctrica ou se o aparelho for conectado à alimentação de rede enquanto estiver ligado, poderão ocorrer acidentes.
- ▶ **Remover ferramentas de ajuste ou chaves de boca antes de ligar a ferramenta eléctrica.** Uma ferramenta ou chave que se encontre numa parte do aparelho em movimento pode levar a lesões.
- ▶ **Evite uma posição anormal. Mantenha uma posição firme e mantenha sempre o equilíbrio.** Desta forma é

mais fácil controlar a ferramenta eléctrica em situações inesperadas.

- ▶ **Usar roupa apropriada. Não usar roupa larga nem jóias. Mantenha os cabelos e roupas afastados de peças em movimento.** Roupas frouxas, cabelos longos ou jóias podem ser agarrados por peças em movimento.
- ▶ **Se for possível montar dispositivos de aspiração ou de recolha, assegure-se de que estejam conectados e utilizados correctamente.** A utilização de uma aspiração de pó pode reduzir o perigo devido ao pó.
- ▶ **Não deixe que a familiaridade resultante de uma utilização frequente de ferramentas permita que você se torne complacente e ignore os princípios de segurança da ferramenta.** Uma acção descuidada pode causar ferimentos graves numa fracção de segundo.

Utilização e manuseio cuidadoso de ferramentas eléctricas

- ▶ **Não sobrecarregue a ferramenta eléctrica. Utilize a ferramenta eléctrica apropriada para o seu trabalho.** É melhor e mais seguro trabalhar com a ferramenta eléctrica apropriada na área de potência indicada.
- ▶ **Não utilizar uma ferramenta eléctrica com um interruptor defeituoso.** Uma ferramenta eléctrica que não pode mais ser ligada nem desligada, é perigosa e deve ser reparada.
- ▶ **Puxar a ficha da tomada e/ou remover o acumulador, se amovível, antes de executar ajustes na ferramenta eléctrica, de substituir acessórios ou de guardar as ferramentas eléctricas.** Esta medida de segurança evita o arranque involuntário da ferramenta eléctrica.
- ▶ **Guardar ferramentas eléctricas não utilizadas fora do alcance de crianças e não permitir que as pessoas que não estejam familiarizadas com o aparelho ou que não tenham lido estas instruções utilizem o aparelho.** Ferramentas eléctricas são perigosas se forem utilizadas por pessoas inexperientes.
- ▶ **Tratar a ferramenta eléctrica e os acessórios com cuidado. Controlar se as partes móveis do aparelho funcionam perfeitamente e não emperram, e se há peças quebradas ou danificadas que possam prejudicar o funcionamento da ferramenta eléctrica. Permitir que peças danificadas sejam reparadas antes da utilização.** Muitos acidentes têm como causa, a manutenção insuficiente de ferramentas eléctricas.
- ▶ **Manter as ferramentas de corte afiadas e limpas.** Ferramentas de corte cuidadosamente tratadas e com cantos de corte afiados emperram com menos frequência e podem ser conduzidas com maior facilidade.
- ▶ **Utilizar a ferramenta eléctrica, acessórios, ferramentas de aplicação, etc. conforme estas instruções. Considerar as condições de trabalho e a tarefa a ser executada.** A utilização de ferramentas eléctricas para outras tarefas a não ser as aplicações previstas, pode levar a situações perigosas.
- ▶ **Mantenha os punhos e as superfícies de agarrar secas, limpas e livres de óleo e massa consistente.** Punhos e

superfícies de agarrar escorregadias não permitem o manuseio e controle seguros da ferramenta em situações inesperadas.

Manuseio e utilização cuidadosos de ferramentas com acumuladores

- ▶ **Só carregar acumuladores em carregadores recomendados pelo fabricante.** Há perigo de incêndio se um carregador apropriado para um certo tipo de acumuladores for utilizado para carregar acumuladores de outros tipos.
- ▶ **Só utilizar ferramentas eléctricas com os acumuladores apropriados.** A utilização de outros acumuladores pode levar a lesões e perigo de incêndio.
- ▶ **Manter o acumulador que não está sendo utilizado afastado de cliques, moedas, chaves, parafusos ou outros pequenos objectos metálicos que possam causar um curto-circuito dos contactos.** Um curto-circuito entre os contactos do acumulador pode ter como consequência queimaduras ou fogo.
- ▶ **No caso de aplicação incorrecta pode vaziar líquido do acumulador. Evitar o contacto. No caso de um contacto acidental, deverá enxaguar com água. Se o líquido entrar em contacto com os olhos, também deverá consultar um médico.** Líquido que escapa do acumulador pode levar a irritações da pele ou a queimaduras.
- ▶ **Não use um acumulador ou uma ferramenta danificada ou modificada.** Os acumuladores danificados ou modificados exibem um comportamento imprevisível podendo causar incêndio, explosão ou risco de lesão.
- ▶ **Não exponha o acumulador ou a ferramenta ao fogo ou temperatura excessiva.** A exposição ao fogo ou a temperaturas acima de 130 °C pode causar explosão.
- ▶ **Siga todas as instruções de carregamento e não carregue o acumulador ou a ferramenta fora da faixa de temperatura especificada no manual de instruções.** Carregar indevidamente ou em temperaturas fora da faixa especificada pode danificar o acumulador e aumentar o risco de incêndio.

Serviço

- ▶ **Só permita que o seu aparelho seja reparado por pessoal especializado e qualificado e só com peças de reposição originais.** Desta forma é assegurado o funcionamento seguro do aparelho.
- ▶ **Nunca tente reparar acumuladores danificados.** A reparação de acumuladores deve ser realizada apenas pelo fabricante ou agentes de assistência autorizados.

Instruções de segurança para martelos

Instruções de segurança para todas as operações

- ▶ **Use protetores auditivos.** A exposição ao ruído pode provocar a perda da audição.
- ▶ **Use o(s) punho(s) auxiliar(es), caso seja(m) fornecido(s) com a ferramenta.** A perda de controle pode resultar em ferimentos pessoais.

- ▶ **Segure a ferramenta eléctrica nas superfícies de agarrar isoladas, ao executar uma operação onde acessórios de corte ou os parafusos possam entrar em contacto com cabos escondidos.** Se o acessório de corte e os parafusos entrarem em contacto com um fio "sob tensão", as partes metálicas expostas da ferramenta eléctrica ficam "sob tensão" e podem produzir um choque eléctrico.

Instruções de segurança ao usar brocas longas com martelos perfuradores

- ▶ **Comece sempre a perfurar a baixa velocidade e com a ponta da broca em contacto com a peça de trabalho.** A velocidades mais altas, a broca pode dobrar-se ao rodar livremente sem entrar em contacto com a peça de trabalho, causando ferimento pessoal.
- ▶ **Aplique pressão apenas em linha direta com a broca e não aplique pressão excessiva.** As brocas podem dobrar-se, causando rutura ou perda de controlo, ou mesmo ferimento pessoal.

Instruções de segurança adicionais

- ▶ **Utilizar detetores apropriados, para encontrar cabos escondidos, ou consulte a companhia eléctrica local.** O contacto com cabos eléctricos pode provocar fogo e choques eléctricos. Danos em tubos de gás podem levar à explosão. A infiltração num cano de água provoca danos materiais.
- ▶ **Esperie que a ferramenta eléctrica pare completamente, antes de depositá-la.** A ferramenta de aplicação pode emperrar e levar à perda de controlo sobre a ferramenta eléctrica.
- ▶ **Fixar a peça a ser trabalhada.** Uma peça a ser trabalhada fixa com dispositivos de aperto ou com tornos de bancada está mais firme do que segurada com a mão.
- ▶ **Em caso de danos e de utilização incorreta da bateria, podem escapar vapores. A bateria pode incendiar-se ou explodir.** Areje o espaço e procure assistência médica no caso de apresentar queixas. É possível que os vapores irrite as vias respiratórias.
- ▶ **Não abrir o acumulador.** Há risco de um curto-circuito.
- ▶ **Os objetos afiados como, p. ex., pregos ou chaves de fendas, assim como o efeito de forças externas podem danificar o acumulador.** Podem causar um curto-circuito interno e o acumulador pode ficar queimado, deitar fumo, explodir ou sobreaquecer.
- ▶ **Utilize a bateria apenas em produtos do fabricante.** Só assim é que a bateria é protegida contra sobrecarga perigosa.



Proteger a bateria contra calor, p. ex. também contra uma permanente radiação solar, fogo, sujidade, água e humidade. Há risco de explosão ou de um curto-circuito.

- ▶ **Logo a seguir à operação não toque nos acessórios ou em peças da carcaça adjacentes.** Estes podem ficar muito quentes durante a operação e causar queimaduras.

- ▶ **O acessório pode bloquear durante a perfuração. Durante o trabalho, providencie uma estabilidade segura e segure o aparelho com as duas mãos.** Caso contrário poderá perder o controlo sobre a ferramenta elétrica.
- ▶ **Tenha cuidado nos trabalhos de demolição com o cinzel.** Fragmentos do material de demolição podem ferir pessoas à volta ou a própria pessoa.
- ▶ **Durante o trabalho, segure a ferramenta elétrica com as duas mãos e providencie uma estabilidade segura.** A ferramenta elétrica é conduzida com maior segurança com ambas as mãos.
- ▶ **Cuidado! A utilização da ferramenta elétrica com Bluetooth[®] pode dar origem a avarias noutros aparelhos e instalações, aviões e dispositivos médicos (p. ex. pacemakers, aparelhos auditivos). Do mesmo modo, não é possível excluir totalmente danos para pessoas e animais que se encontrem nas proximidades imediatas. Não utilize a ferramenta elétrica com Bluetooth[®] na proximidade de dispositivos médicos, postos de abastecimento de combustível, instalações químicas, áreas com perigo de explosão e zonas de demolição. Não utilize a ferramenta elétrica com Bluetooth[®] em aviões. Evite a operação prolongada em contacto direto com o corpo.**

A marca nominativa *Bluetooth[®]* tal como o símbolo (logótipo), são marcas registadas e propriedade da Bluetooth SIG, Inc. Qualquer utilização desta marca nominativa/deste símbolo por parte da Robert Bosch Power Tools GmbH possui a devida autorização.

Descrição do produto e do serviço



Leia todas as instruções de segurança e instruções. A inobservância das instruções de segurança e das instruções pode causar choque elétrico, incêndio e/ou ferimentos graves.

Respeite as figuras na parte da frente do manual de instruções.

Utilização adequada

A ferramenta elétrica é destinada para furar com martelo em betão, tijolos e pedras, assim como para cinzelar. Também é apropriada para furar sem impacto em madeira, metal, cerâmica e plástico. As ferramentas elétricas com regulação eletrónica e rotação à direita/esquerda também são apropriadas para aparafusar.

Os dados e as definições da ferramenta elétrica podem ser transmitidos entre ferramenta e o aparelho terminal móvel através do *Bluetooth[®] Low Energy Module GCY 42* via tecnologia de radiotransmissão *Bluetooth[®]*.

Componentes ilustrados

A numeração dos componentes ilustrados refere-se à apresentação da ferramenta elétrica na página de esquemas.

- (1) Mandril de substituição de aperto rápido (GBH 18V-28 CF)
- (2) Mandril de substituição SDS plus (GBH 18V-28 CF)
- (3) Encabadouro SDS plus
- (4) Capa de proteção contra pó
- (5) Bucha de travamento
- (6) Anel de travamento do mandril de substituição (GBH 18V-28 CF)
- (7) Amortecimento das vibrações
- (8) Interface de utilizador
- (9) Tecla de desbloqueio da bateria^{a)}
- (10) Comutador do sentido de rotação
- (11) Punho (superfície do punho isolada)
- (12) Interruptor de ligar/desligar
- (13) Gancho para pendurar
- (14) Bateria^{a)}
- (15) Cobertura Bluetooth
- (16) Tecla de desbloqueio para interruptor de bloqueio de rotação/impacto
- (17) Interruptor de bloqueio de rotação/impacto
- (18) Luz de trabalho
- (19) Tecla para ajuste do batente de profundidade
- (20) Punho adicional (superfície do punho isolada)
- (21) Batente de profundidade
- (22) Indicador do nível de carga da bateria (interface de utilizador)
- (23) Símbolo configuração das rotações através da aplicação do smartphone (interface de utilizador)
- (24) Símbolo potência reduzida (interface de utilizador)
- (25) Indicação dos modos de trabalho (interface de utilizador)
- (26) Tecla para seleção do modo de trabalho (interface de utilizador)
- (27) Símbolo potência máxima (interface de utilizador)
- (28) Símbolo de smartphone (interface de utilizador)
- (29) Indicação de estado da ferramenta elétrica (interface de utilizador)
- (30) Parafuso de segurança para bucha de coroa dentada (GBH 18V-28 C)^{a)}
- (31) Bucha de coroa dentada (GBH 18V-28 C)^{a)}
- (32) Encabadouro SDS plus para bucha (GBH 18V-28 C)^{a)}
- (33) Encaixe da bucha (GBH 18V-28 CF)
- (34) Ranhuras características
- (35) Chave de buchas (GBH 18V-28 C)
- (36) Bucha dianteira do mandril de substituição de aperto rápido (GBH 18V-28 CF)

- (37) Anel de fixação do mandril de substituição de aperto rápido (**GBH 18V-28 CF**)
- (38) Suporte universal com encabadoiro SDS plus^{a)}
- (39) Área de fixação do equipamento de proteção contra queda na ferramenta elétrica
- (40) Equipamento de proteção contra queda^{b)}
- (41) Ponto de ancoragem fixo do equipamento de proteção contra queda^{b)}
- a) **Acessórios apresentados ou descritos não pertencem ao volume de fornecimento padrão. Todos os acessórios encontram-se no nosso programa de acessórios.**
- b) **Os acessórios apresentados ou descritos não pertencem ao volume de fornecimento, nem ao programa de acessórios Bosch.**

Dados técnicos

Martelo perfurador sem fio		GBH 18V-28 C	GBH 18V-28 CF
Número de produto		3 611 J20 0..	3 611 J21 0..
Controlo das rotações		●	●
Bloqueio de rotação		●	●
Rotação à direita/esquerda		●	●
Bucha substituível		–	●
Tensão nominal	V=	18	18
N.º de impactos ^{A)}	i.p.m.	0–4220	0–4220
Intensidade de impacto individual conforme EPTA-Procedure 05:2016	J	3,3	3,3
Número de rotações em vazio ^{A)}			
– Rotação à direita	r.p.m.	0–950	0–950
– Rotação à esquerda	r.p.m.	0–950	0–950
Encabadoiro da ferramenta		SDS plus	SDS plus
Diâmetro da gola do veio	mm	50	50
Diâmetro máx. de perfuração:			
– Betão	mm	28	28
– Alvenaria (com broca de coroa oca)	mm	82	82
– Aço	mm	13	13
– Madeira	mm	30	30
Peso sem bateria	kg	3,3	3,4
Peso conforme EPTA-Procedure 01:2014	kg	3,7–4,7	3,8–4,8
Comprimento	mm	349	378
Altura	mm	225	225
Largura	mm	92	92
Temperatura ambiente recomendada durante o carregamento	°C	0 ... +35	0 ... +35
Temperatura ambiente admissível em funcionamento ^{B)} e durante o armazenamento	°C	–15 ... +50	–15 ... +50
Baterias compatíveis		GBA 18V... ProCORE18V...	GBA 18V... ProCORE18V...
Baterias recomendadas		GBA 18V... ≥ 5,0 Ah ProCORE18V... ≥ 4,0 Ah	GBA 18V... ≥ 5,0 Ah ProCORE18V... ≥ 4,0 Ah
Carregadores recomendados		GAL 18... GAX 18... GAL 36...	GAL 18... GAX 18... GAL 36...

A) Medido a 20–25 °C com bateria **ProCORE18V 4.0Ah**.

B) Potência limitada com temperaturas <0 °C

Os valores podem variar em função do produto e estar sujeitos a condições de aplicação e do meio ambiente. Para mais informações consulte www.bosch-professional.com/wac.

Bateria

Bosch vende ferramentas elétricas sem fio também sem bateria. Pode consultar na embalagem se está incluída uma bateria no volume de fornecimento da sua ferramenta elétrica.

Carregar a bateria

- **Utilize apenas os carregadores listados nos dados técnicos.** Só estes carregadores são apropriados para os baterias de lítio utilizadas para a sua ferramenta elétrica.

Nota: devido a normas de transporte internacionais, as baterias de lítio são fornecidas parcialmente carregadas. Para assegurar a completa potência da bateria, a bateria deverá ser carregada completamente antes da primeira utilização.

Colocar a bateria

Insira a bateria carregada no respetivo encaixe, até que esta esteja engatada.


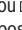
Retirar a bateria

Para retirar a bateria, pressione a respetiva tecla de desbloqueio e puxe a bateria para fora. **Não empregue força.**

A bateria possui 2 níveis de travamento, que devem evitar, que a bateria caia, caso a tecla de desbloqueio da bateria seja premida por acaso. Enquanto a bateria estiver dentro da ferramenta elétrica, ela é mantida em posição por uma mola.

Indicador do nível de carga da bateria

Os LEDs verdes do indicador do nível de carga da bateria indicam o nível de carga da bateria. Por motivos de segurança, a consulta do nível de carga só é possível com a ferramenta elétrica parada.

Prima a tecla para o indicador do nível de carga da bateria  ou  para visualizar o nível de carga. Isto também é possível com a bateria removida.

Se, depois de premir a tecla para o indicador do nível de carga da bateria, não se acender qualquer LED, a bateria tem defeito e tem de ser substituída.

O nível de carga da bateria também é indicado na interface do utilizador Indicadores de estado.

Tipo de bateria GBA 18V...



LED	Capacidade
Luz permanente 3 × verde	60–100 %
Luz permanente 2 × verde	30–60 %
Luz permanente 1 × verde	5–30 %
Luz intermitente 1 × verde	0–5 %

Tipo de bateria ProCORE18V...



LED	Capacidade
Luz permanente 5 × verde	80–100 %
Luz permanente 4 × verde	60–80 %
Luz permanente 3 × verde	40–60 %
Luz permanente 2 × verde	20–40 %
Luz permanente 1 × verde	5–20 %
Luz intermitente 1 × verde	0–5 %

Indicações sobre o manuseio ideal da bateria

Proteger a bateria contra humidade e água.

Armazene a bateria apenas na faixa de temperatura de –20 °C a 50 °C. Por exemplo, não deixe a bateria dentro do automóvel no verão.

Limpar de vez em quando as aberturas de ventilação da bateria com um pincel macio, limpo e seco.

Um tempo de funcionamento reduzido após o carregamento indica que a bateria está gasta e que deve ser substituída.

Observe as indicações sobre a eliminação de forma ecológica.

Montagem

- **A bateria deverá ser retirada antes de todos os trabalhos na ferramenta elétrica (p. ex. manutenção, troca de ferramenta etc.) e antes de transportar ou de armazenar a mesma.** Há perigo de ferimentos se o interruptor de ligar/desligar for acionado involuntariamente.

Usar Bluetooth® Low Energy Module GCY 42 (acessório)

Para informações acerca do Bluetooth® Low Energy Module GCY 42 leia as respetivas instruções de utilização.

Punho adicional

- **Utilize a ferramenta elétrica apenas com o punho adicional (20).**
- **Certifique-se de que o punho adicional está sempre bem apertado.** Caso contrário poderá perder o controlo sobre a ferramenta durante o trabalho.

Virar o punho adicional (ver figura A)

Pode virar o punho adicional (20) à sua vontade, para obter uma posição de trabalho segura e sem fadiga.

- Rode a peça do punho do punho adicional (20) para a esquerda e vire o punho adicional (20) para a posição desejada. A seguir, volte a apertar a peça de punho inferior do punho adicional (20) para a direita. Observe que a cinta de aperto do punho adicional esteja na ranhura prevista para tal, que se encontra na carcaça da ferramenta.

Selecionar bucha e ferramentas

Para furar com martelo e para cinzelar, são necessárias ferramentas SDS-plus, que são encaixadas na bucha SDS-plus.

Para furar sem impacto em madeira, metal, cerâmica e plástico, assim como para aparafusar, são utilizadas ferramentas sem SDS-plus (p. ex. brocas com encabadouro cilíndrico). Para estas ferramentas necessita de uma bucha de aperto rápido ou bucha de coroa dentada.

Trocar a bucha

Colocar/retirar bucha de coroa dentada

GBH 18V-28 C

Para poder trabalhar com ferramentas sem SDS-plus (p. ex. broca com encabadouro cilíndrico), tem de montar uma bucha adequada (bucha de coroa dentada ou de aperto rápido, acessório).

Montar a bucha de coroa dentada (ver figura B)

- Enrosque o encabadouro SDS-plus (32) numa bucha de coroa dentada (31). Fixe a bucha de coroa dentada (31) com o parafuso de segurança (30). **Tenha em atenção que o parafuso de segurança tem uma rosca para a esquerda.**

Introduzir a bucha de coroa dentada (ver figura B)

- Limpe a haste de encaixe do adaptador e lubrifique levemente.
- Introduzir o mandril de coroa dentada, com o encabadouro, na fixação da ferramenta, girando até travar automaticamente.
- Puxe pela bucha de coroa dentada para controlar o travamento.

Retirar a bucha de coroa dentada

- Empurre a bucha de travamento (5) para trás e retire a bucha de coroa dentada (31).

Retirar/colocar o mandril de substituição

GBH 18V-28 CF

Retirar o mandril de substituição (ver figura C)

- Puxe o anel de travamento do mandril de substituição (6) para trás, segure-o nessa posição e puxe o mandril de substituição SDS-plus (2) ou o mandril de substituição de aperto rápido (1) para a frente.
- Após ser retirado, o mandril de substituição deve ser protegido contra sujidade.

Introduzir o mandril de substituição (ver figura D)

- ▶ **Só utilize equipamento original específico do modelo e observe o número de ranhuras características (34). Só são admissíveis mandris de substituição com duas ou três ranhuras características.** Se for usado um mandril de substituição não adequado para esta ferramenta elétrica, a ferramenta de trabalho pode cair durante o funcionamento.
- Limpe o mandril de substituição antes de o colocar e lubrifique ligeiramente a haste de encaixe.
- Agarre o mandril de substituição SDS-plus (2) ou o mandril de substituição de aperto rápido (1) com a mão

toda. Introduza o mandril de substituição rodando-o no encaixe (33), até se ouvir claramente um som de encaixe.

- O mandril de substituição trava-se automaticamente. Puxar o mandril de substituição para controlar o travamento.

Troca de ferramenta

A capa de proteção contra pó (4) evita consideravelmente que penetre pó de perfuração no encabadouro durante o funcionamento. Ao introduzir a ferramenta, certifique-se de que a capa de proteção contra pó (4) não é danificada.

- ▶ **Uma capa de proteção contra pó danificada deve ser substituída imediatamente. Recomendamos que o faça no Serviço de Assistência Técnica.**

Troca de ferramenta (SDS-plus)

Introduzir a ponta de aparafusar SDS plus (ver figura E)

Com o mandril de substituição SDS-plus é possível trocar fácil e confortavelmente as ferramentas de trabalho, sem ter que utilizar outras ferramentas.

- **GBH 18V-28 CF:** Introduza o mandril de substituição SDS-plus (2).
- Limpe a haste de encaixe da ferramenta de trabalho e lubrifique levemente.
- Introduza a ferramenta de trabalho no encabadouro, girando até travar-se automaticamente.
- Puxe a ferramenta para controlar o travamento.

A ferramenta de trabalho SDS-plus pode ser movida livremente condicionada pelo sistema. Por causa disso, ocorre um desvio de rotação em vazio. Isto não tem qualquer influência na precisão do furo, uma vez que a broca se autocentra ao furar.

Retirar a ponta de aparafusar SDS-plus (ver figura F)

- Empurre a bucha de travamento (5) para trás e retire a ponta de aparafusar.

Troca de ferramenta bucha de coroa dentada

GBH 18V-28 C

Introduzir a ferramenta de trabalho (ver figura G)

Nota: Não use ferramentas sem SDS-plus para furar com martelo ou cinzelar! As ferramentas sem SDS-plus e as respetivas buchas são danificadas ao furar com martelo e a cinzelar.

- Coloque a bucha de coroa dentada (31).
- Abra a bucha de coroa dentada (31) rodando até a ferramenta poder ser inserida. Introduzir a ferramenta.
- Insira a chave de buchas (35) nos respetivos orifícios da bucha de coroa dentada (31) e aperte a ferramenta uniformemente.
- Rode o interruptor de bloqueio de rotação/impacto (17) para a posição "Furar".

Retirar a ponta de aparafusar (ver figura H)

- Rode a bucha da bucha de coroa dentada (31) com a ajuda da chave de buchas (35) para a esquerda, até que a ponta de aparafusar possa ser retirada.

Troca de ferramenta mandril de substituição de aperto rápido

GBH 18V-28 CF

Introduzir a ferramenta de trabalho (ver figura I)

Nota: Não use ferramentas sem SDS-plus para furar com martelo ou cinzelar! As ferramentas sem SDS-plus e as respetivas buchas são danificadas ao furar com martelo e a cinzelar.

- Introduza o mandril de substituição de aperto rápido (1).
- Segure o anel de fixação (37) do mandril de substituição de aperto rápido. Abra o encabadouro rodando a bucha dianteira (36) até ser possível introduzir a ferramenta. Segure o anel de fixação (37) e rode a bucha dianteira (36) com força no sentido da seta, até que sejam audíveis ruídos de catraca.
- Puxar a ferramenta para verificar se está firme.

Nota: se o encabadouro tiver sido aberto até ao batente, é possível que se oia um ruído de catraca ao fechar o encabadouro e o encabadouro não se fecha.

Nesse caso, rode uma vez a bucha dianteira uma vez para a esquerda. Em seguida será possível fechar o encabadouro.

- Rode o interruptor de bloqueio de rotação/impacto (17) para a posição "Furar".

Retirar a ferramenta de trabalho (ver figura J)

- Segure o anel de fixação (37) do mandril de substituição de aperto rápido. Abra o encabadouro rodando a bucha dianteira (36) no sentido da seta até ser possível remover a ferramenta.

Aspiração de pó/de aparas

Pós de materiais como por exemplo, tintas que contém chumbo, alguns tipos de madeira, minerais e metais, podem ser nocivos à saúde. O contacto ou a inalação dos pós pode provocar reações alérgicas e/ou doenças nas vias respiratórias do utilizador ou das pessoas que se encontrem por perto.

Certos pós, como por exemplo pó de carvalho e faia são considerados como sendo cancerígenos, especialmente quando juntos com substâncias para o tratamento de madeiras (cromato, produtos de proteção da madeira). Material que contém asbesto só deve ser processado por pessoal especializado.

- Se possível deverá usar um dispositivo de aspiração de pó apropriado para o material.
- Assegurar uma boa ventilação do local de trabalho.
- É recomendável usar uma máscara de proteção respiratória com filtro da classe P2.

Observe as diretivas para os materiais a serem processados, vigentes no seu país.

- ▶ **Evite a acumulação de pó no local de trabalho.** Pós podem entrar levemente em ignição.

Aspiração de pó com GDE 18V-16 (acessório) (ver figura K)

Para a aspiração de pó de betão e pedra é necessário o dispositivo de aspiração GDE 18V-16 (acessório).

Para pó de madeira, metal e plástico, assim como pó prejudicial à saúde (p. ex. amianto) não é adequado este sistema de aspiração.

Funcionamento

Colocação em funcionamento

- ▶ Certifique-se de que a cobertura (15) do Bluetooth® Low Energy Module GCY 42 está fechada durante o funcionamento. Deste modo, evitará a entrada de pó.


Ajustar o modo de operação


Com o interruptor de bloqueio de rotação/impacto (17) seleciona o modo de operação da ferramenta elétrica.

- Para mudar o modo de operação pressione a tecla de desbloqueio (16) e rode o interruptor de bloqueio de rotação/impacto (17) para a posição desejada, até ele engatar de forma audível.


Nota: mude o modo de operação apenas com a ferramenta elétrica desligada! Caso contrário a ferramenta elétrica pode ficar danificada.

 Posição para **furar com martelo** em betão ou pedra

 Posição para **furar** sem impacto em madeira, metal, cerâmica e plástico, bem como para **aparafusar**

 Posição **Vario-Lock** para ajustar a posição de cinzelamento

Nesta posição o interruptor de bloqueio de rotação/impacto (17) não engata.

 Posição para **Cinzelar**

Ajustar o sentido de rotação

Com o comutador de sentido de rotação (10) é possível alterar o sentido de rotação da ferramenta elétrica. Com o interruptor de ligar/desligar pressionado (12) isto, no entanto, não é possível.

- ▶ **Acione o comutador do sentido de rotação (10) apenas com a ferramenta elétrica parada.**

Ajuste o sentido de rotação para furar com martelo, furar e cinzelar sempre na rotação à direita.

- **Rotação à direita:** Para furar e apertar parafusos prima o comutador do sentido de rotação (10) completamente para a esquerda.
- **Rotação à esquerda:** Para soltar ou retirar os parafusos e porcas pressione o comutador do sentido de rotação (10) para a direita até ao batente.

Nota: se o comutador do sentido de rotação ficar na posição central, o interruptor de ligar/desligar está bloqueado.

Ligar/desligar

- Para **ligar** a ferramenta elétrica, prima o interruptor de ligar/desligar **(12)**.

A luz de trabalho **(18)** acende-se com o interruptor de ligar/desligar **(12)** completamente ou ligeiramente premido e permite iluminar o local de trabalho em caso de condições de iluminação desfavoráveis.

Na primeira ligação da ferramenta elétrica pode ocorrer um atraso no arranque, pois a eletrónica da ferramenta elétrica tem de se configurar primeiro.

No caso de temperaturas baixas, a ferramenta elétrica só atinge o seu poder de martelar/impacto completo após algum tempo.

- Para **desligar** a ferramenta elétrica, liberte o interruptor de ligar/desligar **(12)**.

Ajustar o número de rotações/impactos

Pode regular o número de rotações/impactos da ferramenta elétrica ligada de forma contínua, consoante a pressão que faz no interruptor de ligar/desligar **(12)**.

Uma leve pressão sobre o interruptor de ligar/desligar **(12)** proporciona um número de rotações/impactos baixo.

Aumentando a pressão, é aumentado o n.º de rotações/impactos.

Também pode regular o número de rotações na interface de utilizador ou através da aplicação para smartphone.

Alterar a posição do cinzel (Vario-Lock)

Pode fixar o cinzel em **40** posições. Desta forma pode escolher a melhor posição de trabalho para si.

- Introduzir o cinzel no encabadouro.
- Rode o interruptor de bloqueio de rotação/impacto **(17)** para a posição "Vario-Lock".
- Rode a ferramenta de trabalho para a posição do cinzel desejada.
- Rode o interruptor de bloqueio de rotação/impacto **(17)** para a posição "Cinzelar". Desta forma o encabadouro fica bloqueado.
- Para cinzelar, o sentido de rotação deve ser colocado na rotação à direita.

Interface de utilizador (ver figura L)

A interface de utilizador **(8)** é utilizada para a seleção do modo de trabalho bem como para a indicação do estado da ferramenta elétrica.

Indicadores de estado

Indicador do nível de carga da bateria (interface de utilizador) (22)	Significado/Causa	Solução
verde (2 a 5 barras)	Bateria carregada	–
amarelo (1 barra)	Bateria quase vazia	Trocar ou carregar bateria em breve
vermelho (1 barra)	Acumulador vazio	Trocar ou carregar bateria

Indicação de estado da ferramenta elétrica (29)	Significado/causa	Solução
Verde	Estado OK	–
Amarelo	Temperatura crítica atingida ou bateria quase vazia	Deixar a ferramenta elétrica arrefecer ou trocar ou carregar a bateria
Vermelho	A ferramenta elétrica está sobreaquecida ou a bateria está vazia	Deixar a ferramenta elétrica arrefecer ou trocar ou carregar a bateria
Vermelho	O motor está bloqueado, a bateria não tem carga suficiente	Carregar bateria ou usar tipo de bateria recomendado
	Erros gerais	<ul style="list-style-type: none"> – Desligar e voltar a ligar a ferramenta elétrica ou remover e voltar a colocar a bateria Se o erro persistir: <ul style="list-style-type: none"> – Enviar a ferramenta elétrica para o serviço de apoio ao cliente
Piscar a vermelho	O desligamento rápido ativou-se	Desligar e voltar a ligar a ferramenta elétrica
Piscar a azul	Ligar a ferramenta elétrica através de Bluetooth™ com o aparelho terminal móvel ou As definições são transferidas	–

Símbolo de smartphone (28)	Significado/causa	Solução
Branco	Informações importantes disponíveis (p. ex. aviso de temperatura)	Ler a mensagem no smartphone

Selecionar o modo de trabalho

Prima a tecla **(26)** para escolher o modo de trabalho o número de vezes necessárias até acender o modo de trabalho desejado.

Nota: No modo de trabalho **Favoritos** são configuradas as funções através da aplicação para smartphone, nos modos de trabalho **Auto** e **Soft** as funções estão predefinidas.

Indicação do modo de trabalho (25)	Funções
Auto Símbolo potência máxima (27) aceso	No modo de trabalho Auto , a ferramenta elétrica atinge a potência máxima com velocidade de aceleração máxima.
Favorite Símbolo configuração das rotações através do smartphone (23) aceso	No modo de trabalho Favorite podem ser configuradas individualmente a potência e a velocidade de aceleração da ferramenta elétrica através da aplicação do smartphone.
Soft Símbolo potência reduzida (24) aceso	No modo de trabalho Soft a potência e a velocidade de aceleração da ferramenta elétrica são reduzidas.

Funções Connectivity

Pré-requisitos do sistema para usar a aplicação



Pré-requisitos do sistema
Aparelho terminal móvel (Tablet, Smartphone)
Android 6.0 (e superior)
iOS 11 (e superior)

Instalação e definições da aplicação

Para usar as funções Connectivity, tem de instalar a aplicação específica – em função do aparelho terminal.

- Descarregue a aplicação através de uma loja de aplicações correspondente (Apple App Store, Google Play Store).

Nota: É necessária uma conta de utilizador para o efeito na respetiva App-Store.

Nome da aplicação	iOS	Android
Bosch Toolbox		

- Depois seleccione a aplicação no submenu **MyTools** ou **Connectivity**.
- O mostrador do aparelho terminal móvel mostra todos os passos seguintes para a ligação da ferramenta elétrica ao aparelho terminal.

Combinado com o *Bluetooth*® Low Energy Module **GCY 42** estão disponíveis as seguintes funções de conectividade com a aplicação Bosch Toolbox para a ferramenta elétrica:

- Registo
- Personalização do modo de trabalho **Favorite** (potência e comportamento)

- Definições da ferramenta (p. ex. duração de funcionamento da aspiração do pó, parâmetro luz de trabalho)
- Verificação do estado, emissão de mensagens de aviso
- Informações gerais
- Gestão

Para informações acerca do *Bluetooth*® Low Energy Module **GCY 42** leia as respetivas instruções de utilização.

O símbolo Smartphone **(28)** acende-se, se a ferramenta elétrica enviar uma informação (p. ex. aviso de temperatura) via tecnologia de radiotransmissão *Bluetooth*® a um aparelho terminal móvel.

Desativar a função de conectividade

► **A ferramenta elétrica com *Bluetooth*® Low Energy Module colocado está equipada com uma interface de comunicações. Devem ser respeitadas as limitações de utilização locais, p. ex. em aviões ou hospitais.**

Nota: A cobertura **(15)** só pode ser fechada em segurança se o *Bluetooth*® Low Energy Module e a pilha botão se encontrarem na ferramenta elétrica.

- Para **desativar** o *Bluetooth*® Low Energy Module rodar a pilha botão ou colocar um isolamento entre a pilha botão e o *Bluetooth*® Low Energy Module.
- Feche a cobertura **(15)**, para que não entre sujidade.

Instruções de trabalho

Ajustar a profundidade de perfuração (ver figura M)

Com o batente de profundidade **(21)** é possível definir a profundidade de perfuração desejada **X**.

- Pressione a tecla para o ajuste do batente de profundidade **(19)** e coloque o batente de profundidade no punho adicional **(20)**.

- As estrias no batente de profundidade **(21)** têm de ficar viradas para baixo.
- Empurre a ponta de aparafusar SDS-plus até ao batente no encabadouro SDS-plus **(3)**. Caso contrário, a mobilidade do acessório SDS-plus pode causar um ajuste errado da profundidade de perfuração.
- Puxe o batente de profundidade para fora até a distância entre a ponta da broca e a ponta do batente de profundidade corresponder à profundidade de perfuração **X** desejada.

Acoplamento de sobrecarga

- ▶ **Se o acessório emperrar ou pender, a força motriz do veio da broca é interrompida. Devido às forças que se formam, segure sempre a ferramenta elétrica bem com as duas mãos e coloque-se sobre uma base estável.**
- ▶ **Desligue a ferramenta elétrica e solte o acessório se a ferramenta elétrica encravar. Ao ligar o aparelho com uma broca bloqueada são produzidos altos momentos de reação.**

Desligamento rápido (Kickback Control)



O desligamento rápido (KickBack Control) oferece um melhor controlo sobre a ferramenta elétrica e aumenta assim a proteção do utilizador comparativamente a ferramentas elétricas sem KickBack Control. Em caso de uma rotação repentina e imprevista da ferramenta elétrica sobre o eixo de perfuração, a ferramenta elétrica desliga-se, a indicação do desligamento rápido acende-se a vermelho e a luz de trabalho **(18)** pisca. Com o desligamento rápido ativo, pisca a indicação de estado **(29)** a vermelho.

- Para **voltar a colocar em funcionamento** solte o interruptor de ligar/desligar **(12)** e volte a acioná-lo.

Amortecimento das vibrações

 O amortecimento das vibrações integrado reduz a ocorrência de vibrações.

- ▶ **Não continue a usar a ferramenta elétrica se o elemento amortecedor estiver danificado.**

Introduzir as pontas de aparafusar (ver figura N)

- ▶ **Utilizar os punhos adicionais fornecidos com a ferramenta elétrica.** A perda de controle sobre a ferramenta elétrica pode levar a lesões.

Para utilizar as pontas de aparafusar necessita de um suporte universal **(38)** com adaptador SDS-plus (acessório).

- Limpe a haste de encaixe do adaptador e lubrifique levemente.
- Introduza o suporte universal no encabadouro, girando até travar-se automaticamente.
- Puxe pelo suporte universal para controlar o travamento.

- Introduza uma ponta de aparafusar no suporte universal. Só utilize pontas de aparafusar apropriadas para o cabeçote de aparafusamento.
- Para retirar o suporte universal empurre a bucha de travamento **(5)** para trás e retire o suporte universal **(38)** do encabadouro.

Pendurar a ferramenta elétrica (ver figura O)

Com o gancho para pendurar **(13)** é possível fixar a ferramenta elétrica a um dispositivo de suporte adequado.

- Pressione brevemente o gancho para pendurar **(13)** no sentido do punho **(11)**, para soltar o travamento. O gancho para pendurar desloca-se autonomamente para trás.
- Rode o gancho para pendurar para o lado.
- Verifique se o gancho para pendurar **(13)** apresenta possíveis danos ou deformações. Não utilize o gancho para pendurar **(13)** se este estiver danificado, deformado ou já não estiver bem fixado na ferramenta elétrica.
- Pendure a ferramenta elétrica com o gancho para pendurar **(13)** a um dispositivo de suporte estável. Para evitar danos ou ferimentos, o dispositivo de suporte não pode ser aplicado sobre carreiros nem nos raios de ação imediatos. O gancho para pendurar destina-se exclusivamente a pendurar a ferramenta elétrica, incluindo os acessórios montados.
- Rode o gancho para pendurar **(13)** para trás e empurre-o com ligeira pressão para a frente e para baixo para a posição de travamento, se trabalhar com a ferramenta elétrica.

- ▶ **Nunca utilize o gancho para pendurar (13) com equipamento de proteção contra queda. Nunca fixe o dispositivo de proteção contra queda no gancho para pendurar.**

Fixar o dispositivo de proteção contra queda (ver figura P)

Nota: Para proteger a ferramenta elétrica contra queda, deve ser utilizado um dispositivo de proteção contra queda **(40)** adequado ao peso do sistema. O comprimento máximo permitido do dispositivo de proteção contra queda é de **1,8 m**. Observe impreterivelmente a área de fixação permitida **(39)** na ferramenta elétrica.

Como dispositivo de proteção contra queda, utilize de preferência uma linga fixa com nó de ancoragem ou um dispositivo de proteção contra queda com amortecedor de choques.

Para a fixação do dispositivo de proteção contra queda **(40)** respeite impreterivelmente as respetivas instruções de utilização.

- ▶ **É imperativo que fixe o lado oposto do dispositivo de proteção contra queda da uma estrutura estável (p. ex. edifícios ou armação) e nunca ao próprio utilizador.**

O equipamento de proteção contra queda tem de se mover livremente e só pode estar fixado ao ponto de

ancoragem fixo (41) e na área de fixação (39) permitida na ferramenta elétrica.

Selecione o ponto de ancoragem fixo (41) de forma a que, em caso de queda, a ferramenta elétrica possa cair livremente no sistema de proteção contra queda sem enrolar ou colocar o utilizador em perigo.

Nunca utilize o gancho para pendurar (13) com equipamento de proteção contra queda.

Nunca fixe o dispositivo de proteção contra queda no gancho para pendurar.

Nunca utilize o dispositivo de proteção contra queda na ferramenta elétrica com o dispositivo de aspiração de pó GDE 18V-16 ou GDE 16 Plus montado.

Manutenção e assistência técnica

Manutenção e limpeza

- ▶ **A bateria deverá ser retirada antes de todos os trabalhos na ferramenta elétrica (p. ex. manutenção, troca de ferramenta etc.) e antes de transportar ou de armazenar a mesma.** Há perigo de ferimentos se o interruptor de ligar/desligar for acionado involuntariamente.
 - ▶ **Manter a ferramenta elétrica e as aberturas de ventilação sempre limpas, para trabalhar bem e de forma segura.**
 - ▶ **Uma capa de proteção contra pó danificada deve ser substituída imediatamente. Recomendamos que o faça no Serviço de Assistência Técnica.**
- Limpar o encabadouro (3) depois de cada utilização.

Serviço pós-venda e aconselhamento

O serviço pós-venda responde às suas perguntas a respeito de serviços de reparação e de manutenção do seu produto, assim como das peças sobressalentes. Desenhos explodidos e informações acerca das peças sobressalentes também em: www.bosch-pt.com

A nossa equipa de consultores Bosch esclarece com prazer todas as suas dúvidas a respeito dos nossos produtos e acessórios.

Indique para todas as questões e encomendas de peças sobressalentes a referência de 10 dígitos de acordo com a placa de características do produto.

Brasil

Robert Bosch Ltda. – Divisão de Ferramentas Elétricas
Rodovia Anhanguera, Km 98 - Parque Via Norte
13065-900, CP 1195
Campinas, São Paulo
Tel.: 0800 7045 446
www.bosch.com.br/contato

Encontra outros endereços da assistência técnica em:

www.bosch-pt.com/serviceaddresses

Transporte

As baterias de íões de lítio recomendadas estão sujeitas ao direito de materiais perigosos. As baterias podem ser transportadas na rua pelo utilizador, sem mais obrigações.

Na expedição por terceiros (por ex: transporte aéreo ou expedição), devem ser observadas as especiais exigências quanto à embalagem e à designação. Neste caso é necessário consultar um especialista de materiais perigosos ao preparar a peça a ser trabalhada.

Só enviar baterias se a carcaça não estiver danificada. Colar contactos abertos e embalar a bateria de modo que não possa se movimentar dentro da embalagem. Por favor observe também eventuais diretivas nacionais suplementares.

Eliminação



As ferramentas elétricas, as baterias, os acessórios e as embalagens devem ser enviados a uma reciclagem ecológica de matéria prima.

Não deitar ferramentas elétricas e baterias/pilhas no lixo doméstico!

Baterias/pilhas:

Lítio:

Observar as indicações no capítulo Transporte (ver "Transporte", Página 39).

中文

安全规章

电动工具通用安全警告

警告！ 阅读所有警告和所有说明！不遵照以下警告和说明会导致电

击、着火和 / 或严重伤害。

保存所有警告和说明书以备查阅。

在所有下列的警告中术语“电动工具”指市电驱动（有线）电动工具或电池驱动（无线）电动工具。

工作场地的安全

- ▶ **保持工作场地清洁和明亮。** 混乱和黑暗的场地会引发事故。
- ▶ **不要在易爆环境，如有易燃液体、气体或粉尘的环境下操作电动工具。** 电动工具产生的火花会点燃粉尘或气体。
- ▶ **让儿童和旁观者离开后操作电动工具。** 注意力不集中会使操作者失去对工具的控制。

电气安全

- ▶ **电动工具插头必须与插座相配。** 绝不能以任何方式改装插头。需接地的电动工具不能使用任何转

换插头。未经改装的插头和相配的插座将减少电击危险。

- ▶ 避免人体接触接地表面，如管道、散热片和冰箱。如果你身体接地会增加电击危险。
- ▶ 不得将电动工具暴露在雨中或潮湿环境中。水进入电动工具将增加电击危险。
- ▶ 不得滥用电线。绝不能用电线搬运、拉动电动工具或拔出其插头。使电线远离热源、油、锐边或运动部件。受损或缠绕的软线会增加电击危险。
- ▶ 当在户外使用电动工具时，使用适合户外使用的外接软线。适合户外使用的软线将减少电击危险。
- ▶ 如果在潮湿环境下操作电动工具是不可避免的，应使用剩余电流动作保护器（RCD）。使用RCD可减小电击危险。

人身安全

- ▶ 保持警觉，当操作电动工具时关注所从事的操作并保持清醒。当你感到疲倦，或在有药物、酒精或治疗反应时，不要操作电动工具。在操作电动工具时瞬间的疏忽会导致严重人身伤害。
- ▶ 使用个人防护装置。始终佩戴护目镜。安全装置，诸如适当条件下使用防尘面具、防滑安全鞋、安全帽、听力防护等装置能减少人身伤害。
- ▶ 防止意外起动。确保开关在连接电源和/或电池盒、拿起或搬运工具时处于关断位置。手指放在已接通电源的开关上或开关处于接通时插入插头可能会导致危险。
- ▶ 在电动工具接通之前，拿掉所有调节钥匙或扳手。遗留在电动工具旋转零件上的扳手或钥匙会导致人身伤害。
- ▶ 手不要伸展得太长。时刻注意立足点和身体平衡。这样在意外情况下能很好地控制电动工具。
- ▶ 着装适当。不要穿宽松衣服或佩戴饰品。让衣服、手套和头发远离运动部件。宽松衣服、配饰或长发可能会卷入运动部件中。
- ▶ 如果提供了与排屑、集尘设备连接用的装置，要确保他们连接完好且使用得当。使用这些装置可减少尘屑引起的危险。
- ▶ 即使由于经常使用电动工具而对此非常熟悉，也不要就认为可以高枕无忧而忽略工具的安全规定。粗心大意的行为可能在瞬间就造成严重的伤害。

电动工具使用和注意事项

- ▶ 不要滥用电动工具，根据用途使用适当的电动工具。选用适当设计的电动工具会使你工作更有效、更安全。
- ▶ 如果开关不能接通或关断工具电源，则不能使用该电动工具。不能用开关来控制的电动工具是危险的且必须进行修理。
- ▶ 在进行任何调节、更换附件或贮存电动工具之前，必须从电源上拔掉插头和/或使电池盒与工具脱离。这种防护性措施将减少工具意外起动的危险。
- ▶ 将闲置不用的电动工具贮存在儿童所及范围之外，并且不要让不熟悉电动工具或对这些说明不

了解的人操作电动工具。电动工具在未经培训的用户手中是危险的。

- ▶ 保养电动工具。检查运动件是否调整到位或卡住，检查零件破损情况和影响电动工具运行的其他状况。如有损坏，电动工具应在使用前修理好。许多事故由维护不良的电动工具引发。
- ▶ 保持切削刀具锋利和清洁。保养良好的有锋利切削刃的刀具不易卡住而且容易控制。
- ▶ 按照使用说明书，考虑作业条件和进行的作业来使用电动工具、附件和工具的刀头等。将电动工具用于那些与其用途不符的操作可能会导致危险。
- ▶ 保持手柄和握持表面干燥、清洁、无油污。在突发情况下，滑溜的手柄和握持表面无法确保安全地握持和控制工具。

电池式工具使用和注意事项

- ▶ 只用制造商规定的充电器充电。将适用于某种电池盒的充电器用到其他电池盒时会发生着火危险。
- ▶ 只有在配有专用电池盒的情况下才使用电动工具。使用其他电池盒会发生损坏和着火危险。
- ▶ 当电池盒不用时，将它远离其他金属物体，例如回形针、硬币、钥匙、钉子、螺钉或其他小金属物体，以防一端与另一端连接。电池端部短路会引起燃烧或火灾。
- ▶ 在滥用条件下，液体会从电池中溅出；避免接触。如果意外碰到了，用水冲洗。如果液体碰到了眼睛，还要寻求医疗帮助。从电池中溅出的液体会发生腐蚀或燃烧。
- ▶ 不要使用损坏的或更改过的电池组或工具。损坏或更改过的电池可能导致不可预料的情况发生，有着火、爆炸或受伤的风险。
- ▶ 不要将电池组或工具暴露于火焰或高温情况下。火焰或超过130 °C的温度可能会引起爆炸。
- ▶ 遵守所有充电说明，给电池组或工具充电时不要超出说明中规定的温度范围。错误充电或温度超出规定的范围可能会损坏电池并提高着火的风险。

维修

- ▶ 将你的电动工具送交专业维修人员，使用同样的备件进行修理。这样将确保所维修的电动工具的安全性。
- ▶ 决不能维修损坏的电池包。电池包仅能由生产者或其授权的维修服务商进行维修。

电锤安全规章

- ▶ 戴好耳罩。暴露在噪声中会引起听力损伤。
- ▶ 使用随工具提供的辅助手柄。操作失手会引起人身伤害。
- ▶ 在操作期间，切割附件或紧固件可能接触暗线，要握住电动工具的绝缘握持面。切割附件和紧固件一旦接触“带电”导线，可能会使电动工具外露的金属部件“带电”，并使操作员触电。

当使用带旋转锤钻的长钻头时的安全说明

- ▶ **务必以低转速开始钻孔，并让钻头尖端与工件接触。**在较高转速下，如果让钻头在不接触工件的情况下随意旋转，很可能导致其弯折，从而引发人身伤害。
- ▶ **只在钻头的直线方向上施加压力，不要施加过大的压力。**钻头可能会弯曲，导致断裂或失去控制，造成人身伤害。

其他安全规章

- ▶ **使用合适的侦测装置侦察隐藏的电线，或者向当地的相关单位寻求支援。**接触电线可能引起火灾并让操作者触电。损坏了瓦斯管会引起爆炸。如果水管被刺穿了会导致财物损失。
- ▶ **等待电动工具完全静止后才能够放下机器。**机器上的工具可能在工作中被夹住，而令您无法控制电动工具。
- ▶ **固定好工件。**使用固定装置或老虎钳固定工件，会比用手持握工件更牢固。
- ▶ **如果充电电池损坏或者未按照规定使用，充电电池中会散发出有毒蒸汽。充电电池可能会燃烧或爆炸。**工作场所必须保持空气流通，如果身体有任何不适必须马上就医。蒸汽会刺激呼吸道。
- ▶ **切勿打开充电电池。**可能造成短路。
- ▶ **钉子、螺丝刀等尖锐物品或外力作用可能会损坏充电电池。**有可能出现内部短路、蓄电池燃烧、发出烟雾、爆炸或过热。
- ▶ **仅在制造商的产品中使用充电电池。**这样才能确保充电电池不会过载。



保护充电电池免受高温（例如长期阳光照射）、火焰、脏污、水和湿气的侵害。有爆炸和短路的危险。



- ▶ **切勿直接接触运行后的工具刀头或相邻的壳体部件。**它们可能在运行期间变得很热，从而导致起火燃烧。
- ▶ **工具刀头可能会在钻孔时卡住。确保站稳并使用双手握紧电动工具。**否则您可能失去对电动工具的控制。
- ▶ **使用齿头进行破碎工作时请务必小心。**从破碎材料上掉落的碎屑可能会伤到周围人员或您自己。
- ▶ **工作时要使用双手握紧电动工具并确保站稳。**使用双手才能够稳定地操作电动工具。
- ▶ **注意！在使用有蓝牙功能的电动工具时，其他装置和设备、飞机和医疗器械（例如心脏起搏器、助听器）可能会出现故障。同样不能完全排除周围的人和动物会受到伤害。请不要在医疗设备、加油站、化工厂、有爆炸危险的地区附近和在爆破区内使用有蓝牙功能的电动工具。请勿在飞机上使用有蓝牙功能的电动工具。请避免在身体附近较长时间使用。**

蓝牙®文字标记和图形符号（标志）是Bluetooth SIG公司的注册商标和财产。Robert Bosch Power Tools GmbH根据许可使用这些文字标记/图形符号。

产品和性能说明



请阅读所有安全规章和指示。不遵照以下警告和说明可能导致电击、着火和/或严重伤害。

请注意本使用说明书开头部分的图示。

按照规定使用

本电动工具可以在混凝土、砖墙、和石材上进行震动钻，而且也具备了简单的凿削功能。另外也适合在木材、金属、陶材和塑料上进行无冲击钻孔。有电子调节装置和正反转功能的电动工具也能够拧转螺丝。

装入蓝牙® Low Energy Module **GCY 42**（低能耗模块）后，通过蓝牙®无线技术在电动工具和移动终端设备之间传输电动工具的数据和设置。

插图上的机件

机件的编号和电动工具详解图上的编号一致。

- (1) 快速可换式钻夹头 (**GBH 18V-28 CF**)
- (2) SDS plus可换式钻夹头 (**GBH 18V-28 CF**)
- (3) SDS plus工具夹头
- (4) 防尘盖
- (5) 锁定套筒
- (6) 可换式钻夹头锁环 (**GBH 18V-28 CF**)
- (7) 减震装置
- (8) 用户界面
- (9) 充电电池盒的解锁按钮^{a)}
- (10) 正逆转开关
- (11) 手柄（绝缘握柄）
- (12) 起停开关
- (13) 挂钩
- (14) 充电电池^{a)}
- (15) 蓝牙盖板
- (16) 冲击/转动停止开关的解锁按键
- (17) 冲击/转动停止开关
- (18) 工作灯
- (19) 深度尺调节键
- (20) 辅助手柄（绝缘握柄）
- (21) 限深器
- (22) 充电电池电量显示（用户界面）
- (23) 通过智能手机应用程序配置转速的图标（用户界面）
- (24) 功率降低图标（用户界面）
- (25) 工作模式指示灯（用户界面）
- (26) 工作模式选择键（用户界面）
- (27) 最大功率图标（用户界面）
- (28) 智能手机图标（用户界面）
- (29) 电动工具状态指示灯（用户界面）
- (30) 齿环夹头固定螺丝 (**GBH 18V-28 C**)^{a)}

- (31) 齿环夹头 (GBH 18V-28 C)^{a)}
- (32) 钻夹头SDS plus接头柄 (GBH 18V-28 C)^{a)}
- (33) 钻夹头刀柄 (GBH 18V-28 CF)
- (34) 辨识槽线
- (35) 夹头扳手 (GBH 18V-28 C)
- (36) 快速可换式钻夹头的前套筒 (GBH 18V-28 CF)
- (37) 快速可换式钻夹头的止动环 (GBH 18V-28 CF)
- (38) 带SDS plus接头柄的通用杆^{a)}
- (39) 电动工具上的防坠落装置固定区域
- (40) 防坠落装置^{b)}
- (41) 防坠落装置的固定止动点^{b)}
- a) 图表或说明上提到的附件，并不包含在基本的供货范围中。本公司的附件清单中有完整的附件供应项目。
- b) 图表或说明上提到的附件，并不包含在供货范围和博世附件系列中。

技术参数

无绳电锤		GBH 18V-28 C	GBH 18V-28 CF
物品代码		3 611 J20 0..	3 611 J21 0..
转速控制装置		●	●
转动停止		●	●
正/逆转功能		●	●
可换式钻夹头		-	●
额定电压	伏特=	18	18
冲击次数 ^{A)}	次/分钟	0-4220	0-4220
单一冲击强度符合EPTA-Procedure 05:2016的规定	焦耳	3.3	3.3
空载转速 ^{A)}			
- 正转	转/分钟	0-950	0-950
- 反转	转/分钟	0-950	0-950
工具夹头		SDS plus	SDS plus
主轴颈直径	毫米	50	50
最大钻孔直径:			
- 混凝土	毫米	28	28
- 砖墙 (使用空心钻头)	毫米	82	82
- 钢	毫米	13	13
- 木材	毫米	30	30
不含充电电池的重量	公斤	3.3	3.4
重量符合EPTA-Procedure 01:2014	公斤	3.7-4.7	3.8-4.8
长度	毫米	349	378
高度	毫米	225	225
宽度	毫米	92	92
充电时建议的环境温度	摄氏度	0至+35	0至+35
工作时和存放时允许的环境温度 ^{B)}	摄氏度	-15至+50	-15至+50
兼容的充电电池		GBA 18V... ProCORE18V...	GBA 18V... ProCORE18V...
推荐的充电电池		GBA 18V... ≥5.0 Ah ProCORE18V... ≥4.0 Ah	GBA 18V... ≥5.0 Ah ProCORE18V... ≥4.0 Ah
推荐的充电器		GAL 18... GAX 18... GAL 36...	GAL 18... GAX 18... GAL 36...

A) 在20-25摄氏度的条件下带充电电池ProCORE18V 4.0Ah测得

B) 温度 < 0 摄氏度时功率受限

数值可能因不同产品而异，并且受到应用和环境条件影响。更多信息请参见 www.bosch-professional.com/wac。

充电电池

Bosch也销售不带充电电池的充电式电动工具。您可以在包装上查看电动工具的供货范围内是否包含充电电池。

为充电电池充电

▶ **请只使用在技术参数中列出的充电器。**只有这些充电器才适用于本电动工具上的锂离子电池。

提示：鉴于国际运输规定，锂离子充电电池在交货时只完成部分充电。首度使用电动工具之前，必须先充足充电电池的电量以确保充电电池的功率。

安装充电电池

将充好电的充电电池推入电池座，直到嵌入。

取出充电电池

如需取下充电电池，则请按解锁按钮，然后拔出充电电池。**在此过程中请勿过度用力。**

充电电池具备双重锁定功能，即使不小心触动了充电电池的解锁按钮，充电电池也不会从机器中掉落下来。只要充电电池安装在电动工具中，就会被弹簧固定在其位置上。

充电电池电量指示灯

充电电池电量指示灯的绿色LED灯显示充电电池的电量。基于安全原因，只能在电动工具静止时检查充电电池的电量。

按压充电电量指示灯按钮，来显示充电电量。也可以在充电电池取下时操作。

如果按压充电电量指示灯按钮后没有LED灯亮起，则说明充电电池损坏，必须进行更换。

用户界面上也会显示充电电池的电量状态指示灯。

充电电池型号GBA 18V...



LED	电量
3个绿灯长亮	60-100 %
2个绿灯长亮	30-60 %
1个绿灯长亮	5-30 %
1个绿灯闪烁	0-5 %

充电电池型号ProCORE18V...



LED	电量
5个绿灯长亮	80-100 %
4个绿灯长亮	60-80 %
3个绿灯长亮	40-60 %
2个绿灯长亮	20-40 %
1个绿灯长亮	5-20 %

LED	电量
1个绿灯闪烁	0-5 %

如何正确地使用充电电池

保护充电电池，避免湿气和水分渗入。

充电电池必须储存在-20 °C至50 °C的环境中。夏天不得将充电电池搁置在汽车中。

不时地使用柔软、清洁而且干燥的毛刷清洁充电电池的通气孔。

充电后如果充电电池的使用时间明显缩短，代表充电电池已经损坏，必须更换新的充电电池。

请注意有关作废处理的规定。

安装

▶ **在电动工具上进行任何维护的工作（例如维修、更换工具等等），以及搬运、保存电动工具之前都必须从机器中取出蓄电池。**无意间操作开关可能会造成伤害。

装入Bluetooth®（蓝牙）低能耗模块 GCY 42（附件）

有关蓝牙®Low Energy Module（低能耗模块）GCY 42的信息请见相应的使用说明。

辅助手柄

▶ **操作电动工具时务必使用辅助手柄（20）。**

▶ **务必确保辅助手柄已牢牢拧紧。**否则您可能在工作时失去对电动工具的控制。

摆动辅助手柄（见图片A）

可以任意翻转辅助手柄（20），由此可在工作中采用安全且不易疲劳的姿势。

- 逆时针旋转辅助手柄（20）的下半部，并将辅助手柄（20）转到需要的位置。然后顺时针重新拧紧辅助手柄（20）的下半部。

注意，辅助手柄的固定套圈必须位于机壳上的固定套圈专属凹槽中。

选择钻夹头和刀具

在进行锤钻和凿削时，需要已插有SDS-plus钻夹头的SDS-plus刀具。

在木材、金属、陶材和塑料上以及拧转螺丝进行无冲击式钻孔时，可使用不带SDS-plus的刀具（例如圆柱柄钻头）。使用此类刀具时必须先在机器上安装快速夹头或齿环夹头。

更换钻夹头

装入/取出齿环夹头

GBH 18V-28 C

为了能够使用不带SDS-plus的刀具（例如圆柱柄钻头）进行工作，您必须安装适合的钻夹头（齿环夹头或快速夹头、附件）。

安装齿环夹头 (见图片B)

- 将SDS-plus接头柄(32)旋入齿环夹头(31)。用固定螺丝(30)固定齿环夹头(31)。注意，固定螺丝为左螺纹。

安装齿环夹头 (见图片B)

- 清洁接头柄的末端并在接头柄末端涂抹少许油脂。
- 把齿环夹头的接头柄拧入工具夹头中，至接头柄自动锁定为止。
- 抽拉齿环夹头，以确定夹头是否已经锁定了。

拆卸齿环夹头

- 向后推动锁定套筒(5)并取下齿环夹头(31)。

拆卸/安装可换式钻夹头**GBH 18V-28 CF****取出可换式钻夹头 (参见插图C)**

- 向后拉出可换式钻夹头锁环(6)，将其保持在这个位置，然后向前拉下SDS-plus可换式钻夹头(2)或快速可换式钻夹头(1)。
- 保护被拆下的可换式钻夹头，不要弄脏。

插入可换式钻夹头 (参见插图D)

- ▶ 请只使用型号专用的原厂装备，同时注意识别槽的数量(34)。只允许使用带两个或三个识别槽的可换式钻夹头。如果使用与该电动工具不匹配的可换式钻夹头，则工具刀头在运行过程中可能掉落。
- 先清洁夹头然后再安装，必须在接头柄的末端涂抹少许油脂。
- 用整只手握住SDS-plus可换式钻夹头(2)和快速可换式钻夹头(1)。将可换式钻夹头拧入钻夹头柄(33)，直至听到清晰的卡止声。
- 此时可换式钻夹头已经自动锁定。抽拉可换式钻夹头检查其是否已经锁定。

更换刀具

防尘盖(4)可以防止工作时钻屑进入工具夹头中。插入刀具时请注意不要损坏防尘盖(4)。

- ▶ 损坏的防尘盖必须立即更换。推荐由本公司的售后服务部门进行操作。

更换刀具 (SDS-plus)**安装SDS plus工具刀头 (参见插图E)**

使用SDS-plus钻夹头可以简单方便地更换工具刀头，无需使用辅助工具。

- **GBH 18V-28 CF:** 安装SDS-plus可换式钻夹头(2)。
- 清洁工具刀头的末端并涂抹少许油脂。
- 把工具刀头拧入工具夹头中，必须拧转至工具自动锁定为止。
- 抽拉工具以确定它是否正确锁紧了。

SDS-plus系统的工具刀头是活动的。因此在空转时会产生径向跳动偏差。该偏差对钻孔的精度没影响，因为钻孔时钻头自定心。

拆卸SDS-plus工具刀头 (见图片F)

- 向后推动锁定套筒(5)，取下工具刀头。

齿环夹头工具更换**GBH 18V-28 C****插入工具刀头 (参见插图G)**

提示: 切勿使用不带SDS-plus的工具来锤钻或凿削! 没有SDS-plus的工具和夹头会在进行锤钻和凿削时受损。

- 装入齿环夹头(31)。
- 旋转打开齿环夹头(31)，直至可以装入刀具。安装好刀具。
- 将夹头扳手(35)插入齿环夹头(31)相应的孔中，然后均匀拧紧工具。
- 将冲击转动停止开关(17)旋转至“钻孔”位置。

取出工具刀头 (参见插图H)

- 用夹头扳手(35)逆时针转动齿环夹头(31)套筒，直至可以拆下工具刀头。

快速可换式钻夹头工具更换**GBH 18V-28 CF****插入工具刀头 (参见插图I)**

提示: 切勿使用不带SDS-plus的工具来锤钻或凿削! 没有SDS-plus的工具和夹头会在进行锤钻和凿削时受损。

- 安装快速可换式钻夹头(1)。
- 固定快速可换式钻夹头的止动环(37)。通过转动前套筒(36)打开工具夹头，直至可以插入刀具。固定止动环(37)，然后沿箭头方向用力转动前套筒(36)，直至听到清晰的咔嗒声。
- 以抽拉的方式检查刀具是否装牢。

提示: 如果工具接头被打开到极限位置，那么在拧紧工具接头时，就能听见咔嗒声，且工具接头不能关闭。

在这种情况下逆时针旋转前套筒。然后，工具接头才能关闭。

- 将冲击转动停止开关(17)旋转至“钻孔”位置。

取出工具刀头 (参见插图J)

- 固定快速可换式钻夹头的止动环(37)。通过沿箭头方向转动前套筒(36)打开工具夹头，直至能够取出刀具。

吸锯尘/吸锯屑

含铅的颜料以及某些木材、矿物和金属的加工废尘有害健康。机器操作者或者工地附近的人如果接触、吸入这些废尘，可能会有过敏反应或者感染呼吸道疾病。

某些尘埃(例如加工橡木或山毛榉的废尘)可能致癌，特别是和处理木材的添加剂(例如木材的防腐剂等)结合之后。只有经过专业训练的人才能够加工含石棉的物料。

- 尽可能使用适合物料的吸尘装置。
- 工作场所要保持空气流通。
- 最好佩戴P2滤网等级的口罩。

请留心并遵守贵国和加工物料有关的法规。

- ▶ 避免让工作场所堆积过多的尘垢。尘垢容易被点燃。

使用GDE 18V-16（附件）除尘（参见插图K）

清除混凝土和石材粉尘时，需要集尘装置GDE 18V-16（附件）。

该吸尘装置不适合抽取木材、金属和塑料粉尘以及危害健康的粉尘（如石棉）。

操作

操作机器

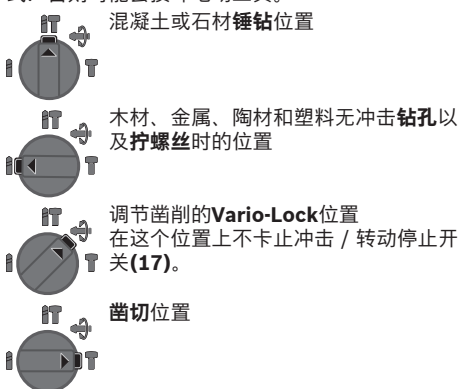
▶ 请确保，Bluetooth®（蓝牙）低功耗模块GCY 42的盖板(15)在运行过程中处于关闭状态。从而防止灰尘进入。

设定操作模式

通过冲击 / 转动停止开关(17)选择电动工具的运行模式。

– 按压用于转换运行模式的解锁按钮(16)，然后转动冲击 / 转动停止开关(17)到所需位置，直至听到卡止声。

提示： 仅可在电动工具关闭的情况下更改运行模式！否则可能会损坏电动工具。



调整旋转方向

通过正逆转开关(10)可以更改电动工具的旋转方向。按下起停开关(12)后无法更改。

▶ 只能在电动工具静止时操纵正逆转开关(10)。

状态指示灯

充电电池电量指示灯（用户界面）(22)	含义/原因	解决方案
绿色（2至5格）	充电电池已充电	–
黄色（1格）	充电电池的电量几乎耗尽	尽快更换充电电池或为其充电
红色（1格）	充电电池的电量用尽了	更换充电电池或为其充电

电动工具状态显示(29)	含义/原因	解决方案
绿色	状态正常	–
黄色	已达到临界温度或充电电池的电量几乎耗尽	让电动工具冷却或更换充电电池或为其充电

进行锤钻、正常钻和凿削时，都必须把旋转方向设定为正转。

– **正转：** 钻孔和拧入螺丝时，向左按压正逆转开关(10)直至极限位置。

– **逆转：** 松开或拧出螺丝和螺母时，向右按压正逆转开关(10)直至极限位置。

提示： 如果正逆转开关处于中间位置，表示起停开关卡住。

接通/关闭

– 如要**接通**电动工具，请按压电源开关(12)。

轻按或是把电源开关(12)按到底时，工作灯(18)会亮起，在照明状况不佳的环境中可以借此照亮工作区域。

第一次开动电动工具时，可能发生延缓起动的现象，因为此时电动工具的电子配件必须先进行调配。

在低温的工作环境中，必须经过短暂的暖机，电动工具才能够发挥最大的锤击/冲击功率。

– 如要**关闭**电动工具，请松开电源开关(12)。

调整转速 / 冲击次数

可以无级调节已接通电动工具的转速/冲击次数，视按压电源开关(12)的力道程度决定。

以较小的力按压电源开关(12)时，转速/冲击次数较低。增强施加在起停开关上的压力，可以提高机器的转速 / 冲击次数。

您也可以在用户界面上或通过智能手机App调节转速。

改变凿头位置 (Vario-Lock)

您可以将凿头锁定在40°的位置。如此可确保最佳的工作姿势。

– 把凿头装入工具夹头中。

– 将冲击 / 转动停止开关(17)旋转至“Vario-Lock”位置。

– 把凿头旋转到需要的工作位置上。

– 将冲击 / 转动停止开关(17)旋转至“凿削”位置。这样就能锁定工具夹头。

– 进行凿削时必须把旋转方向设定为正转。

用户界面（参见插图L）

用户界面(8)用于选择工作模式以及显示电动工具的状态。

电动工具状态显示(29)	含义/原因	解决方案
红色	电动工具过热或充电电池电量耗尽	让电动工具冷却或更换充电电池或为其充电
红色	发动机卡住, 充电电池电量过低	给充电电池充电或使用推荐的充电电池类型
	一般故障	<ul style="list-style-type: none"> 关闭电动工具并再次接通或取出充电电池并再次装入 如果故障依旧存在: <ul style="list-style-type: none"> 将电动工具寄给客户服务部门
以红光闪烁	快速关断功能已触发	关闭并再次接通电动工具
闪光灯	电动工具已通过 蓝牙 与移动终端设备连接 或 正在传输设置	

智能手机图标(28)	含义/原因	解决方案
白色	重要信息可用 (例如温度警告)	在智能手机上阅读信息

选择工作模式

在选择工作模式时, 反复按压键(26), 直到所需的工作模式亮起为止。

提示: 在工作模式**偏爱**中可通过智能手机应用程序来配置功能, 在工作模式**自动**和**软操作**中功能已预设好。

工作模式指示灯(25)	功能
Auto 最大功率图标 (27)亮起	在工作模式 自动 中, 电动工具达到最大功率及最大启动速度。
Favorite 通过智能手机配置转速的图标(23)亮起	在工作模式 偏爱 中, 可以通过智能手机应用程序个性化配置电动工具的功率和启动速度。
Soft 功率降低图标 (24)亮起	在工作模式 软操作 中, 电动工具的功率和启动速度已降低。

连接功能

使用应用程序的系统前提条件

系统前提条件



移动终端设备 (平板 电脑、智能手机) Android 6.0 (及更高版本) iOS 11 (及更高版本)

应用程序的安装和设置

您必须先安装专用于终端设备的应用程序, 以便使用连接功能。

- 通过相应的应用程序商店 (Apple App Store、Google Play Store) 下载应用程序。

提示: 前提是在相应的AppStore有用户账号。

应用程序名称	iOS	Android
Bosch Toolbox		

然后在应用程序中选择子项目**MyTools**或**连接**。

- 移动终端设备的显示屏显示连接电动工具和终端设备的所有其他步骤。

搭配**蓝牙**®低能耗模块**GCY 42**, 通过Bosch Toolbox应用程序为电动工具提供以下连接功能:

- 注册
- 工作模式**偏爱**的个性化 (功率和性能)
- 工具设置 (例如除尘装置的运行时间、工作灯参数)
- 状态检查, 警告信息输出
- 通用信息
- 管理

有关**蓝牙**®Low Energy Module (低能耗模块)**GCY 42**的信息请见相应的使用说明。

当电动工具借助**蓝牙**®无线技术向某个移动终端设备发送一条信息 (例如温度警告) 时, 智能手机图标(28)亮起。

禁用连接功能

- 插入**蓝牙**®Low Energy Module (低能耗模块) 的电动工具配有一个无线接口。必须注意本地运行限制, 例如在飞机上或医院里。

提示：只有在**蓝牙®**低功耗模块和纽扣电池位于电动工具中时，才可以关闭盖板(15)。

- 要**禁用**蓝牙®低功耗模块，请翻转纽扣电池或在纽扣电池和蓝牙®低功耗模块之间放置绝缘件。
- 关闭盖板(15)，以免污物进入。

工作提示

调整钻孔深度 (参见插图M)

利用限深器(21)可以确定所需的钻深X。

- 按压限深器调节键(19)，并将限深器装入辅助手柄(20)。

限深器(21)的槽纹必须朝下。

- 将SDS-plus工具刀头推入SDS-plus工具夹头(3)，直至极限位置。如果未安装好SDS-plus工具，会影响设定深度的准确性。
- 尽可能地拉出限深器，使钻头与限深器尖端之间的距离等于所需的钻孔深度X。

过载离合器

- ▶ 如果工具卡住了，传往主轴的动力会中断。由于会产生力，请用双手牢牢握住电动工具并站稳。
- ▶ 当电动工具卡住时，请关闭电动工具并松开工具刀头。开动机器时如果安装在机器上的钻头被卡住了，会产生很高的反作用扭力。


快速关断功能 (踢回控制)



快速关断功能 (Kickback Control) 让用户能更好地控制电动工具，这样与不带Kickback Control的电动工具相比，能更好地保护用户。在电动工具围绕钻轴突然且不可预测地旋转时，电动工具会关闭，快速关断功能指示灯亮起红色，并且工作灯(18)闪烁。在快速关断功能激活后，状态指示灯(29)呈红色闪烁。

- 如要重新使用工具，松开电源开关(12)，然后再次操作。

减震装置

 内置减震装置可减轻出现的振动。

- ▶ 如果减震装置损坏了，勿继续使用电动工具。

安装螺丝批嘴 (见图片N)

- ▶ 先关闭电动工具，然后再放置在螺母/螺栓上。旋转的工具刀头可能会滑开。

使用螺丝批嘴时，您需要一个带SDS-plus接头柄(附件)的通用连杆(38)。

- 清洁接头柄的末端并在接头柄末端涂抹少许油脂。
- 把通用连杆拧入工具夹头中，并让连杆自动锁定。
- 抽拉连杆，检查连杆是否已经正确锁牢。
- 把螺丝批嘴插入通用连杆中。必须使用与螺丝头大小相符的螺丝批嘴。
- 拆卸通用连杆时，向后推锁定套筒(5)，然后从工具夹头中拆下通用连杆(38)。

悬挂电动工具 (参见插图O)

使用挂钩(13)可以将电动工具固定在合适的悬挂装置上。

- 沿手柄(11)方向短促按压挂钩(13)，以松开止动件。挂钩自行向后伸出。
- 将挂钩转至一侧。
- 检查挂钩(13)是否损坏或变形。请勿使用损坏、变形或不再牢牢固定在电动工具上的挂钩(13)。
- 将电动工具用挂钩(13)挂到稳固的悬挂装置上。不得将悬挂装置安装在人行道或紧邻工作区域上方，以免损坏或受伤。挂钩只能用于悬挂电动工具及其已安装的附件。
- 如要使用电动工具进行作业，将挂钩(13)转回，轻轻施压将其向前推并向下推入止动位置。
- ▶ 切勿将挂钩(13)用作防坠落装置。切勿将防坠落装置固定在挂钩上。

固定防坠落装置 (参见插图P)

提示：应使用与系统重量匹配的防坠落装置(40)，以防电动工具坠落。防坠落装置的最大允许长度为1.8米。请务必注意电动工具上的允许固定区域(39)。

优先将用锚结固定的绳带用作防坠落装置或使用配备坠落缓冲器的防坠落装置。

在固定防坠落装置(40)时请务必注意相关操作说明。

- ▶ 必须将防坠落装置的另一端固定在稳定的结构上(例如建筑物或脚手架)，切勿固定在用户本身。防坠落装置必须能够自由移动，只允许固定在固定止动点(41)和电动工具上允许的固定区域(39)。请选择合适的固定止动点(41)，确保电动工具坠落时可自行掉落在防坠落装置内，同时不会缠绕或危害用户。切勿将挂钩(13)用作防坠落装置。切勿将防坠落装置固定在挂钩上。切勿将电动工具上的防坠落装置与已安装的除尘装置GDE 18V-16或GDE 16 Plus搭配使用。

维修和服务

保养和清洁

- ▶ 在电动工具上进行任何维护的工作(例如维修，更换工具等等)，以及搬运、保存电动工具之前都必须从机器中取出蓄电池。无意间操作开关可能会造成伤害。
- ▶ 电动工具和通气孔必须随时保持清洁，以确保工作效率和工作安全。
- ▶ 必须立即更换损坏的防尘盖。最好委托本公司的顾客服务处换装。
- 每次使用后请清洁工具夹头(3)。

客户服务和应用咨询

本公司客户服务处负责回答有关本公司产品的修理、维护和备件的问题。备件的展开图纸和信息也可查看：www.bosch-pt.com
博世应用咨询团队乐于就我们的产品及其附件问题提供帮助。

询问和订购备件时，务必提供机器铭牌上标示的10位数物品代码。

中国大陆

博世电动工具（中国）有限公司

中国 浙江省 杭州市

滨江区 滨康路567号

102/1F 服务中心

邮政编码：310052

电话：(0571)8887 5566 / 5588

传真：(0571)8887 6688 x 5566# / 5588#

电邮：bsc.hz@cn.bosch.com

www.bosch-pt.com.cn

制造商地址：

Robert Bosch Power Tools GmbH

罗伯特·博世电动工具有限公司

70538 Stuttgart / GERMANY

70538 斯图加特 / 德国

其他服务地址请见：

www.bosch-pt.com/serviceaddresses

搬运

所推荐的锂离子充电电池必须符合危险物品法规。使用者无须另外使用保护包装便可以运送该充电电池。

但是如果将它交由第三者运送（例如：寄空运或委托运输公司）则使用特殊的包装和标示。此时必须向危险物品专家请教有关寄送危险物品的相关事宜。

确定充电电池的外壳未受损后，才可以寄送充电电池。粘好未加盖的触点并包装好充电电池，不可以让充电电池在包装中晃动。必要时也得注意各国有关的法规。

处理废弃物



必须以符合环保的方式，回收再利用损坏的电动工具、充电电池、附件和废弃的包装材料。



不可以把电动工具和充电电池/蓄电池丢入一般的家庭垃圾中！

充电电池/电池：

锂离子：

请注意“搬运”段落中的指示（参见“搬运”，页 48）确认设置。

产品中有害物质的名称及含量

部件名称	有害物质					
	铅 (Pb)	汞 (Hg)	镉 (Cd)	六价铬 (Cr ⁺⁶)	多溴联苯 (PBB)	多溴二苯醚 (PBDE)
外壳的金属部分	○	○	○	○	○	○
外壳的非金属部分	○	○	○	○	○	○
机械传动机构	X	○	○	○	○	○
电机组件	X	○	○	○	○	○
控制组件	X	○	○	○	○	○
附件	○	○	○	○	○	○
配件	○	○	○	○	○	○
连接件	X	○	○	○	○	○
电源线①	○	○	○	○	○	○
电池系统②	X	○	○	○	○	○

本表格依据SJ/T11364的规定编制。

○：表示该有害物质在该部件所有均质材料中的含量均在GB/T 26572规定的限量要求以下。

X：表示该有害物质至少在该部件的某一均质材料中的含量超出GB/T 26572规定的限量要求。且目前业界没有成熟的替代方案，符合欧盟RoHS指令环保要求。

① 适用于采用电源线连接供电的产品。

② 适用于采用充电电池供电的产品。

产品环保使用期限内的使用条件参见产品说明书。

有关中国的更多信息

CMIIT ID显示在蓝牙设备铭牌上

繁體中文

安全注意事項

電動工具一般安全注意事項

警告 請詳讀工作臺及電動工具的所有安全警告與使用說明。若不遵照以下列出的指示，將可能導致電擊、著火和/或人員重傷。

保存所有警告和說明書以備查閱。

在所有警告中，「電動工具」此一名詞泛指：以市電驅動的（有線）電動工具或是以電池驅動的（無線）電動工具。

工作場地的安全

- ▶ 保持工作場地清潔和明亮。混亂和黑暗的場地會引發事故。
- ▶ 不要在易爆環境，如有易燃液體、氣體或粉塵的環境下操作電動工具。電動工具產生的火花會點燃粉塵或氣體。
- ▶ 讓兒童和旁觀者離開後操作電動工具。注意力不集中會使您失去對工具的控制。

電氣安全

- ▶ 電動工具插頭必須與插座相配。絕不能以任何方式改裝插頭。需接地的電動工具不能使用任何轉換插頭。未經改裝的插頭和相配的插座將減少電擊危險。
- ▶ 避免人體接觸接地表面，如管道、散熱片和冰箱。如果您身體接地會增加電擊危險。
- ▶ 不得將電動工具暴露在雨中或潮濕環境中。水進入電動工具將增加電擊危險。
- ▶ 不得濫用電線。絕不能用電線搬運、拉動電動工具或拔出其插頭。使電線遠離熱源、油、銳利邊緣或移動零件。受損或纏繞的軟線會增加電擊危險。
- ▶ 當在戶外使用電動工具時，使用適合戶外使用的延長線。適合戶外使用的軟線，將減少電擊危險。
- ▶ 如果在潮濕環境下操作電動工具是不可避免的，應使用剩餘電流動作保護器（RCD）。使用RCD可降低電擊危險。

人身安全

- ▶ 保持警覺，當操作電動工具時關注所從事的操作並保持清醒。當您感到疲倦，或在有藥物、酒精或治療反應時，不要操作電動工具。在操作電動工具時瞬間的疏忽會導致嚴重人身傷害。
- ▶ 使用個人防護裝置。始終佩戴護目鏡。安全裝置，諸如適當條件下使用防塵面具、防滑安全鞋、安全帽、聽力防護等裝置能減少人身傷害。

- ▶ 防止意外起動。確保開關在連接電源和/或電池盒、拿起或搬運工具時處於關閉位置。手指放在已接通電源的開關上或開關處於接通時插入插頭可能會導致危險。
- ▶ 在電動工具接通之前，拿掉所有調節鑰匙或扳手。遺留在電動工具旋轉零件上的扳手或鑰匙會導致人身傷害。
- ▶ 手不要伸展得太長。時刻注意立足點和身體平衡。這樣在意外情況下能很好地控制電動工具。
- ▶ 著裝適當。不要穿寬鬆衣服或佩戴飾品。讓您的衣物及頭髮遠離運動部件。寬鬆衣服、佩飾或長髮可能會捲入運動部件中。
- ▶ 如果提供了與排屑、集塵設備連接用的裝置，要確保他們連接完好且使用得當。使用這些裝置可減少塵屑引起的危險。
- ▶ 切勿因經常使用工具所累積的熟練感而過度自信，輕忽工具的安全守則。任何一個魯莽的舉動都可能瞬間造成人員重傷。

電動工具使用和注意事項

- ▶ 不要濫用電動工具，根據用途使用適當的電動工具。選用適當設計的電動工具會使您工作更有效、更安全。
- ▶ 如果開關不能開啟或關閉工具電源，則不能使用該電動工具。不能用開關來控制的電動工具是危險的且必須進行修理。
- ▶ 在進行任何調整、更換配件或貯存電動工具之前，必須從電源上拔掉插頭並/或取出電池盒。這種防護性措施將減少工具意外起動的危險。
- ▶ 將閒置不用的電動工具貯存在兒童所及範圍之外，並且不要讓不熟悉電動工具或對這些說明不瞭解的人操作電動工具。電動工具在未經培訓的用戶手中是危險的。
- ▶ 保養電動工具與配備。檢查運動件是否調整到位或卡住，檢查零件破損情況和影響電動工具運行的其他狀況。如有損壞，電動工具應在使用前修理好。許多事故由維護不良的電動工具引發。
- ▶ 保持切削刀具鋒利和清潔。保養良好的有鋒利切削刀的刀具不易卡住而且容易控制。
- ▶ 按照使用說明書，考慮作業條件和進行的作業來使用電動工具、配件和工具的刀頭等。將電動工具用於那些與其用途不符的操作可能會導致危險。
- ▶ 把手及握持區應保持乾燥、潔淨，且不得沾染任何油液或油脂。易滑脫的把手及握持區將無法讓您在發生意外狀況時安全地抓緊並控制工具。

電池式工具使用和注意事項

- ▶ 只用製造商規定的充電器充電。將適用於某種電池盒的充電器用到其他電池盒時會發生著火危險。
- ▶ 只有在配有專用電池盒的情況下才使用電動工具。使用其他電池盒會發生損壞和著火危險。
- ▶ 當電池盒不用時，將它遠離其他金屬物體，例如回形針、硬幣、鑰匙、釘子、螺絲或其他小金屬物體，以防一端與另一端連接。電池端部短路會引起燃燒或火災。

- ▶ 在濫用條件下，液體會從電池中濺出；避免接觸。如果意外碰到了，用水沖洗。如果液體碰到了眼睛，還要求醫務幫助。從電池中濺出的液體會發生腐蝕或燃燒。
- ▶ 請勿使用已受損或經改裝的電池盒。已受損或經改裝的電池組可能出現無法預期的反應，進而導致著火、爆炸或造成人員受傷。
- ▶ 勿讓電池盒或工具靠近火源或暴露於異常溫度環境中。若是靠近火源或暴露在超過130 °C的環境中可能造成爆炸。
- ▶ 請完全遵照所有的充電說明，電池盒或工具的溫度若是超出指示的規定範圍，請勿進行充電。不當充電或是未在規定的溫度範圍內進行充電，皆可能造成電池損壞並面臨更高的著火風險。

檢修

- ▶ 將您的電動工具送交專業維修人員，必須使用同樣的備件進行更換。這樣將確保所維修的電動工具的安全性。
- ▶ 請勿自行檢修受損的電池盒。電池組應交由製造商或是獲得授權的服務供應商來進行檢修。

電錘的安全注意事項

所有作業的安全說明

- ▶ 請戴上耳罩。暴露在噪音下會造成聽力喪失。
- ▶ 請使用工具的輔助把手（若有配備）。失去控制可能會造成人員受傷。
- ▶ 進行作業時，負責進行切割的配件或固定釘可能會接觸到隱藏的配線，請從絕緣握把處拿持電動工具。負責進行切割的配件及固定釘若是觸及「導電」電線，可能導致電動工具外露的金屬部件「導電」，進而使操作人員遭受電擊。

使用長鑽頭搭配鏈鑽的安全說明

- ▶ 請務必以低速啟動並將鑽尖確實抵住工件。若鑽頭未接觸工件且以超過最高轉速的速度無負載轉動，可能會讓鑽頭彎曲並導致人員受傷。
- ▶ 請順著鑽頭方向施加適當的壓力。鑽頭可能會彎曲而造成斷裂或失控，進而導致人員受傷。

其他安全注意事項

- ▶ 使用合適的偵測裝置偵察隱藏的電線，或者向當地的相關單位尋求支援。接觸電線可能引起火災並讓操作者觸電。若損壞瓦斯管會引起爆炸。如果水管被刺穿會導致財物損失。
- ▶ 必須等待電動工具完全靜止後才能將它放下。嵌件工具可能卡住而使電動工具失控。
- ▶ 固定好工件。使用固定裝置或老虎鉗固定工件，會比用手持握工件更牢固。
- ▶ 如果充電電池損壞了，或者未按照規定使用充電電池，充電電池中會散發出有毒蒸氣。充電電池可能起火或爆炸。工作場所必須保持空氣流通，如果身體有任何不適必須馬上就醫。充電電池散發的蒸氣會刺激呼吸道。
- ▶ 切勿拆開充電電池。可能造成短路。
- ▶ 尖銳物品（例如釘子或螺絲起子）或是外力皆有可能造成充電電池損壞。進而導致內部短路而發生電池起火、冒煙、爆炸或過熱等事故。

- ▶ 僅可在製造商的產品中使用充電電池。如此才可提供過載保護。



保護充電電池免受高溫（例如長期日照）、火焰、污垢、水液和濕氣的侵害。有爆炸及短路之虞。



- ▶ 操作後不久不要接觸任何嵌件工具或鄰近的外殼部件。這些在操作過程中會變得非常灼熱並導致燙傷。
- ▶ 鑽孔時嵌件工具可能會卡住。請確實站穩並用雙手牢牢握住電動工具。否則您可能無法再控制電動工具。
- ▶ 使用鑿子進行拆除工作時請小心。拆除材料的掉落碎片可能會傷害旁人或您自己。
- ▶ 作業期間請用雙手牢牢握緊電動工具並保持穩固。使用雙手才能夠更穩定地操作電動工具。
- ▶ 小心！使用電動工具時若開啟 Bluetooth® 功能，將可能對其他裝置或設備、飛機以及醫療器材（例如心律調節器、助聽器等）產生干擾。同樣亦無法完全排除對鄰近之人員或動物造成身體危害的可能性。請勿在醫療器材、加油站、化學設備、爆炸危險場所以及易爆環境等處附近，使用電動工具的 Bluetooth® 功能。請勿在飛機上使用電動工具的 Bluetooth® 功能。應避免直接貼靠在身體部位旁的長時間持續操作。

Bluetooth® 一詞及其標誌（商標）為 Bluetooth SIG, Inc. 所擁有之註冊商標。Robert Bosch Power Tools GmbH 對於此詞彙/標誌之任何使用均已取得授權。

產品和功率描述



請詳讀所有安全注意事項和指示。如未遵守安全注意事項與指示，可能導致火災、人員遭受電擊及/或重傷。請留意操作說明書中最前面的圖示。

依規定使用機器

本電動工具適合在混凝土、磚塊及石材進行鏈鑽鑽孔，亦適用於簡易型鑿削作業。此外，它同樣也可以用無震動之方式在木材、金屬、陶瓷或塑膠等材質上進行鑽孔加工。具備電子調速和正逆轉功能的電動工具亦可用於拆裝螺栓。

電動工具若有搭載 Bluetooth® Low Energy Module GCY 42，即可透過 Bluetooth® 無線技術，與終端行動裝置傳輸資料和設定。

插圖上的機件

機件的編號和電動工具詳解圖上的編號一致。

- (1) 快換夾頭 (GBH 18V-28 CF)
- (2) SDS plus (四溝系統) 更換式夾頭 (GBH 18V-28 CF)
- (3) SDS plus (四溝系統) 工具夾座
- (4) 防塵蓋
- (5) 鎖定套筒

- (6) 更換式夾頭鎖止環 (GBH 18V-28 CF)
- (7) 減震裝置
- (8) 使用者介面
- (9) 充電電池解鎖按鈕^{a)}
- (10) 正逆轉開關
- (11) 把手 (絕緣握柄)
- (12) 起停開關
- (13) 掛鈎
- (14) 充電電池^{a)}
- (15) 藍牙護蓋
- (16) 鎚擊/旋轉停止開關的解鎖按鈕
- (17) 鎚擊/旋轉停止開關
- (18) 工作燈
- (19) 限深擋塊調整按鈕
- (20) 輔助手柄 (絕緣握柄)
- (21) 限深擋塊
- (22) 充電電池的電量指示器 (使用者介面)
- (23) 透過智慧型手機應用程式進行轉速配置的符號 (使用者介面)
- (24) 功率下降符號 (使用者介面)
- (25) 工作模式指示器 (使用者介面)
- (26) 工作模式選擇鈕 (使用者介面)
- (27) 最大功率符號 (使用者介面)
- (28) 智慧型手機符號 (使用者介面)
- (29) 電動工具狀態指示器 (使用者介面)
- (30) 齒環式夾頭的防鬆螺栓 (GBH 18V-28 C)^{a)}
- (31) 齒環式夾頭 (GBH 18V-28 C)^{a)}
- (32) 插入夾頭的 SDS plus 接頭柄 (GBH 18V-28 C)^{a)}
- (33) 夾頭轉接頭 (GBH 18V-28 CF)
- (34) 識別槽
- (35) 夾頭扳手 (GBH 18V-28 C)
- (36) 快換夾頭的前端套筒 (GBH 18V-28 CF)
- (37) 快換夾頭的固定環 (GBH 18V-28 CF)
- (38) 具有 SDS plus 接頭柄的萬用接桿^{a)}
- (39) 電動工具上防墜設備的固定區域
- (40) 防墜設備^{b)}
- (41) 防墜設備錨定點^{b)}
- a) 圖文中提到的配件，並不包含在基本的供貨範圍中。本公司的配件清單中有完整的配件供應項目。
- b) 圖文中提到的配件，不包含在供貨範圍內，也不屬於博世配件系列。

技術性數據

充電式鎚擊電鑽		GBH 18V-28 C	GBH 18V-28 CF
產品機號		3 611 J200..	3 611 J210..
轉速調控		●	●
停止旋轉		●	●
正逆轉功能		●	●
更換式夾頭		-	●
額定電壓	V=	18	18
衝擊次數 ^{A)}	min ⁻¹	0-4220	0-4220
單次鎚擊強度符合 EPTA-Procedure 05:2016	J	3.3	3.3
無負載轉速 ^{A)}			
- 正轉	次 / 分	0-950	0-950
- 逆轉	次 / 分	0-950	0-950
工具夾座		SDS plus	SDS plus
軸頭直徑	mm	50	50
最大鑽孔直徑：			
- 混凝土	mm	28	28
- 砌牆 (使用空心鑽頭)	mm	82	82
- 鋼材	mm	13	13
- 木材	mm	30	30
重量不含充電電池	kg	3.3	3.4
重量符合 EPTA-Procedure 01:2014	kg	3.7-4.7	3.8-4.8
長度	mm	349	378
高度	mm	225	225

充電式鎚擊電鑽		GBH 18V-28 C	GBH 18V-28 CF
寬度	mm	92	92
充電狀態下的建議環境溫度	°C	0 ... +35	0 ... +35
操作狀態下的容許環境溫度 ^{B)} 以及存放狀態下	°C	-15 ... +50	-15 ... +50
相容的充電電池		GBA 18V... ProCORE18V...	GBA 18V... ProCORE18V...
建議使用的充電電池		GBA 18V... ≥5.0 Ah ProCORE18V... ≥4.0 Ah	GBA 18V... ≥5.0 Ah ProCORE18V... ≥4.0 Ah
建議使用的充電器		GAL 18... GAX 18... GAL 36...	GAL 18... GAX 18... GAL 36...

A) 於 20–25 °C 配備充電電池 **ProCORE18V 4.0Ah** 時測得。

B) 溫度 < 0 °C 時，性能受限

數值可能因產品而異，並受使用條件以及環境條件影響。進一步資訊請見 www.bosch-professional.com/wac。

充電電池

Bosch 亦販售不含充電電池的充電式電動工具。可以從外包裝看出電動工具的供貨範圍是否包括電池。

為充電電池進行充電

- ▶ **只能選用技術性數據裡所列出的充電器。**僅有這些充電器適用於電動工具所使用的鋰離子充電電池。

提示：由於國際運輸規定，出貨時鋰離子充電電池已部分充電。初次使用電動工具之前，請先將充電電池充飽電以確保充電電池蓄滿電力。

安裝充電電池

將已充飽電的充電電池推至充電電池固定座內，直到卡緊。

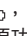
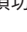
取出充電電池

若要取出充電電池，請按解鎖鈕，然後將充電電池抽出。**不可以強行拉出充電電池。**

本充電電池具備了雙重鎖定功能，即使不小心按壓了充電電池解鎖按鈕，充電電池也不會從機器中掉落出來。固定彈簧會把充電電池夾緊在機器中。

充電電池的電量指示器

充電電池的電量指示器透過綠色 LED 燈告知充電電池的目前電量。基於安全顧慮，務必在電動工具完全靜止時才能檢查充電電池的電量。

按一下電量指示器按鈕  或 , 即可顯示目前的電量。即使已取出充電電池，此項功能仍可正常運作。

按壓電量顯示按鈕後，LED 燈若未亮起，即表示充電電池故障，必須予以更換。

充電電池目前的電量也會顯示在使用者介面顯示目前狀態。

充電電池型號 GBA 18V...



LED	容量
3 顆綠燈持續亮起	60–100 %
2 顆綠燈持續亮起	30–60 %
1 顆綠燈持續亮起	5–30 %
1 顆綠燈呈閃爍狀態	0–5 %

充電電池型號 ProCORE18V...



LED	容量
5 顆綠燈持續亮起	80–100 %
4 顆綠燈持續亮起	60–80 %
3 顆綠燈持續亮起	40–60 %
2 顆綠燈持續亮起	20–40 %
1 顆綠燈持續亮起	5–20 %
1 顆綠燈呈閃爍狀態	0–5 %

如何正確地使用充電電池

妥善保護充電電池，避免濕氣和水分滲入。充電電池必須儲存在 -20 °C 至 50 °C 的環境中。夏天不可以把充電電池擱置在汽車中。

偶爾用柔軟、乾淨且乾燥的毛刷清潔充電電池的通氣孔。

充電後如果充電電池的使用時間明顯縮短，代表充電電池已經損壞，必須更換新的充電電池。

請您遵照廢棄物處理相關指示。

安裝

- ▶ 在電動工具上進行任何維護的工作（例如維修，更換工具等）以及搬運和儲存電動工具之前，都

必須電動工具中取出充電電池。若是不小心觸動起停開關，可能造成人員受傷。

設置 Bluetooth® Low Energy Module GCY 42 (配件)

如需 Bluetooth® Low Energy Module GCY 42 的相關資訊，請詳讀其操作說明書。

輔助手柄

- ▶ 操作電動工具時務必使用輔助手柄 (20)。
- ▶ 確保輔助手柄始終牢固鎖緊。否則您可能在作業時無法再控制電動工具。

翻轉輔助手柄 (請參考圖 A)

輔助手柄 (20) 可隨意翻轉，以便採取一個穩固而不容易感到疲勞的工作姿勢。

- 逆時針旋轉輔助手柄 (20) 的下方握把處，以便將輔助手柄 (20) 轉至所需位置。然後再順時針旋轉輔助手柄 (20) 的下方握把處，將它重新鎖緊。注意，輔助手柄的固定套圈必須位於機殼上的固定套圈專屬凹槽中。

選用夾頭和工具

進行銼擊鑽孔和鑿削時，必須使用能夠安裝在 SDS-plus 夾頭上的 SDS-plus 工具。

若要以無震動之方式在木材、金屬、陶瓷及塑膠等材質上進行鑽孔，或是想要拆裝螺栓，請使用非 SDS-plus 系統的工具（例如具有圓柱柄的鑽頭）。使用此類鑽頭時必須在機器上安裝快速夾頭或齒環式夾頭。

更換夾頭

安裝/取下齒環式夾頭

GBH 18V-28 C

若要使用非 SDS-plus 系統的工具（例如具有圓柱柄的鑽頭）進行作業，則必須安裝適當夾頭（齒環式夾頭或快速夾頭，配件）。

安裝齒環式夾頭 (請參考圖 B)

- 請將 SDS-plus 接頭柄 (32) 鎖進齒環式夾頭 (31) 內。用防鬆螺栓 (30) 固定住齒環式夾頭 (31)。注意：此顆防鬆螺栓為左旋螺紋。

裝入齒環式夾頭 (請參考圖 B)

- 清潔接頭柄的末端並且塗上少許潤滑油脂。
- 把齒環式夾頭的接頭柄插入工具機的接頭中，直至接頭柄自動鎖定為止。
- 拉動齒環式夾頭，以確認夾頭是否已確實鎖止。

卸下卸齒環式夾頭

- 將鎖止套筒 (5) 往後推，即可卸下齒環式夾頭 (31)。

拆卸/安裝夾頭

GBH 18V-28 CF

卸下更換式夾頭 (請參考圖 C)

- 將更換式夾頭鎖止環 (6) 往後拉並讓它固定在這個位置上，然後將 SDS-plus 更換式夾頭 (2) 或快換夾頭 (1) 往前拔下。

- 更換式夾頭取下後需妥善保護，以免受污。

裝上更換式夾頭 (請參考圖 D)

- ▶ 僅可使用機型專用的原廠配件，並同時留意識別槽的數量(34)。更換式夾頭僅可配有兩個或三個識別槽。若此電動工具未使用合適的更換式夾頭，則嵌件工具可能會在功能運轉期間掉落出來。
- 夾頭需先進行清潔然後才可安裝，必須在接頭柄的插入端塗上少許油脂。
- 用整個手掌環握住 SDS-plus 夾頭 (2) 或快換夾頭 (1)。將夾頭一邊旋轉一邊推至夾頭轉接頭 (33) 上，直到清楚聽見卡上的聲音。
- 此時夾頭已經自動鎖定。但是仍需拉動夾頭，以檢查是否已確實鎖止。

更換工具

防塵蓋 (4) 可阻止鑽孔時所產生的大部份粉塵侵入工具夾座。安裝工具時要小心，請勿損壞防塵蓋 (4)。

- ▶ 防塵蓋若有受損，應立即更換。最好委託本公司的顧客服務處換裝。

更換工具 (SDS-plus)

裝上 SDS plus 嵌件工具 (請參考圖 E)

夾頭採 SDS-plus (四坑系統) 設計，能夠簡便地更換嵌件工具，無需借助其它輔助工具。

- GBH 18V-28 CF：直接將 SDS-plus 夾頭 (2) 裝入即可。
- 清潔嵌件工具的插入端並且塗上少許潤滑油脂。
- 把嵌件工具轉進工具夾座中，必須轉至嵌件工具自動鎖定為止。
- 拉動工具以確認它是否已正確鎖止。

SDS-plus 嵌件工具是活動的，因此在無負載狀態下此類工具會偏心旋轉。開始鑽孔時此工具便會自動置中，因此上述現象並不會影響鑽孔準確度。

取出 SDS-plus 嵌件工具 (請參考圖 F)

- 將鎖定套筒 (5) 往後推，然後便可取出嵌件工具。

齒環式夾頭更換工具

GBH 18V-28 C

安裝嵌件工具 (請參考圖 G)

提示：請勿使用非 SDS-plus 系統的工具進行銼擊鑽孔或鑿削！非 SDS-plus 系統的工具和夾頭會在進行銼擊鑽孔和鑿削時受損。

- 請裝上齒環式夾頭 (31)。
- 透過旋轉方式，將齒環式夾頭 (31) 打開至能夠裝入工具為止。裝入工具。
- 將夾頭扳手 (35) 插進齒環式夾頭 (31) 的對應孔，然後均勻地施力將工具夾緊。
- 請將銼擊/旋轉停止開關 (17) 轉至「鑽孔」位置。

取出嵌件工具 (請參考圖 H)

- 用夾頭扳手 (35) 逆時針旋轉齒環式夾頭的套筒 (31)，直到能取出嵌件工具為止。

快換夾頭更換工具

GBH 18V-28 CF

安裝嵌件工具 (請參考圖 I)

提示：請勿使用非 SDS-plus 系統的工具進行鎚擊鑽孔或鑿削！非 SDS-plus 系統的工具和夾頭會在進行鎚擊鑽孔和鑿削時受損。

- 請裝上快換夾頭 (1)。
- 必須握好快換夾頭的固定環 (37)，讓它留在原位不動。旋轉前端套筒 (36)，以便工具夾座打開至能夠裝入工具的程度。請將固定環 (37) 握住不動，然後沿箭頭方向用力轉緊前端套筒 (36)，此時必須清楚聽見軋軋聲。
- 透過拉動，確認工具是否已裝牢。

提示：如果工具夾頭先前已完全開啟至極限位置，那麼旋轉工具夾頭使之閉合時，即使聽見軋軋聲但這並不代表工具夾頭已鎖上。

這時候請再將前端套筒 逆時針轉一下。然後便能將夾頭關閉。

- 請將鎚擊／旋轉停止開關 (17) 轉至「鑽孔」位置。

取出嵌件工具 (請參考圖 J)

- 必須握好快換夾頭的固定環 (37)，讓它留在原位不動。沿著箭頭方向旋轉前端套筒 (36)，以便將工具夾座打開至能夠取下工具的程度。

吸除廢塵／料屑

含鉛顏料、部分木材種類、礦石和金屬的加工廢塵有害健康。機器操作者或施工現場附近的人員如果接觸、吸入這些廢塵，可能會引發過敏反應或感染呼吸道疾病。

某些塵埃 (例如加工橡木或山毛櫸的廢塵) 可能致癌，特別是與處理木材的添加劑 (例如木材的防腐劑等) 結合之後。唯有受過專業訓練的人才能夠進行含石棉物料的加工。

- 儘可能使用適合物料的吸塵裝置。
- 工作場所要保持空氣流通。
- 建議佩戴 P2 過濾等級的口罩。

請留意並遵守貴國的物料加工相關法規。

- ▶ **避免讓工作場所堆積過多的塵垢。**塵埃容易被點燃。

搭配 GDE 18V-16 的吸塵裝置 (配件) (請參考圖 X K)

如欲吸除混凝土及礦物粉塵，則需用到吸塵裝置 GDE 18V-16 (配件)。

此吸塵設備並不適用於木材、金屬、塑膠等碎屑以及危害健康的粉塵 (例如石棉)。

操作

操作機器

- ▶ 請注意：機器運作期間，Bluetooth® Low Energy Module GCY 42 的護蓋 (15) 應為關閉狀態。防止粉塵跑進機內。

設定操作模式

您可利用鎚擊／旋轉停止開關 (17) 選擇電動工具的操作模式。

- 若要切換操作模式，請按壓解鎖按鈕 (16) 並將鎚擊／旋轉停止開關 (17) 轉至所需位置，此時應要聽見卡上的聲音。

提示：請務必在電動工具關閉電源時才變更操作模式！否則可能造成電動工具損壞。

鎚擊鑽孔位置，適用於混凝土或石材



鑽孔位置，可在木材、金屬、陶瓷及塑膠等材質上以無震動之方式進行鑽孔或是拆裝螺絲



Vario-Lock 位置，用以調整鑽頭位置，鎚擊／旋轉停止開關 (17) 無法卡止在這個位置上。



鑿削位置



設定旋轉方向

透過正逆轉開關 (10) 即可變更電動工具的旋轉方向。但按下起停開關 (12) 時，將無法這樣做。

- ▶ **電動工具靜止時，才能操作正逆轉開關 (10)。**

進行鎚擊鑽孔、一般鑽孔及鑿削時，都必須設為正轉。

- **正轉：**若要旋入螺絲及旋緊螺母，請將正逆轉開關 (10) 往左推到底。
- **逆轉：**若要鬆開或旋出螺絲與螺母，請將正逆轉開關 (10) 往右推到底。

提示：正逆轉開關位於中間位置時，起停開關為鎖定狀態。

啟動／關閉

- 若要**啟動**電動工具：按下起停開關 (12)。輕按起停開關 (12) 或完全按下時，工作燈 (18) 隨即亮起，可照亮光線不足的工作區域。

第一次開動電動工具時，可能發生延緩啟動的現象，因為此時電動工具的電子配件必須先進行調配。

在低溫的工作環境中，必須經過短暫的暖機，電動工具才能夠發揮最大的鎚擊／衝擊功率。

- 放開起停開關 (12)，即可讓電動工具**停止運轉**。

調整轉速／鎚擊次數

您可為已啟動的電動工具無段調控轉速／衝擊次數，轉速是由按壓起停開關 (12) 的深度決定。

輕按起停開關 (12) 時，轉速／衝擊次數較低。逐漸在開關上加壓，轉速／衝擊次數也會跟著提高。

您也可以到使用者介面上或利用智慧型手機 App 來調控轉速。

改變鑿頭位置 (Vario-Lock)

鑿頭可固定在 **40** 個不同的位置上。藉此，您可採取最佳的工作姿勢。

- 把鑿頭插進工具夾座中。
- 請將鏈擊/旋轉停止開關 **(17)** 轉至「Vario-Lock」位置。
- 把鑿頭旋轉到所需的工作位置上。

- 請將鏈擊/旋轉停止開關 **(17)** 轉至「鑿削」位置。工具夾座隨之鎖定。
- 進行鑿削時必須設為正轉。

使用者介面 (請參考圖 L)

使用者介面 **(8)** 可用來選擇工作模式以及示意電動工具的目前狀態。

顯示目前狀態

充電電池的電量指示器 (使用者介面) (22)	代表意義/原因	解決辦法
綠色 (2 至 5 格)	仍有足夠電力	-
黃色 (1 格)	充電電池的電量即將用盡	儘快更換充電電池或為其充電
紅色 (1 格)	充電電池的電量耗盡	更換充電電池或為其充電

電動工具狀態指示器 (29)	代表意義/原因	解決辦法
綠色	正常狀態	-
黃色	已達到臨界溫度或充電電池的電量即將用盡	讓電動工具降溫冷卻，或是更換充電電池/為其充電
紅色	電動工具過熱或充電電池的電量耗盡	讓電動工具降溫冷卻，或是更換充電電池/為其充電
紅色	馬達卡住，充電電池電力不足 一般性的錯誤	為充電電池充電或使用建議的充電電池 - 將電動工具關閉然後重新開啟，或取下充電電池再重新裝入 如仍繼續發生錯誤： - 將電動工具送交顧客服務處
紅色閃爍	快關功能已觸發	先將電動工具關機，然後再重新啟動
藍色閃爍	電動工具已透過藍牙® 與行動終端裝置連接 或 將進行傳輸設定	-

智慧型手機符號 (28)	代表意義/原因	解決辦法
白色	通知您現在有重要資訊 (例如溫度警告)	請到智慧型手機上進一步詳讀訊息內容

選擇工作模式

反覆按壓工作模式選擇鈕 **(26)**，直到出現您想使用的工作模式。

提示：使用 **Favorite** 工作模式時，是透過智慧型手機 App 來設定各項功能；使用 **Auto** 和 **Soft** 工作模式時，則是系統已預設好各項功能。

工作模式指示器 (25)	功能
Auto 最大功率符號 (27) 亮起	電動工具在 Auto 工作模式下可以最高起轉速度發揮最高性能。
Favorite 透過智慧型手機應用程式進行轉速配置的符號 (23) 亮起	在 Favorite 工作模式下，可透過智慧型手機個別配置電動工具的功率和起轉速度。
Soft 功率下降符號 (24) 亮起	在 Soft 工作模式下，電動工具的功率和起轉速度會降低。

連線後支援的功能

使用應用程式的系統先決條件

系統需求

終端行動裝置 (平板電腦、智慧型手機)	Android 6.0 (以上) iOS 11 (以上)
---------------------	---------------------------------

App 的安裝與設置

若要使用連線功能，必須先視終端裝置而定安裝其特定的應用程式。

- 請至相關應用程式商店 (Apple App Store、Google Play 商店) 下載此應用程式。
- 提示：**您必須擁有對應 App 商店的使用者帳號。

應用程式名稱 iOS Android

Bosch Toolbox



- 然後在應用程式中選擇 **MyTools** 或 **Connectivity** 子項目。
- 終端行動裝置的螢幕上隨即顯示如何將電動工具與終端裝置連線的所有其他步驟。

搭配使用藍牙® Low Energy Module **GCY 42** 時，電動工具連線後支援以下功能連同 Bosch Toolbox App：

- 註冊
- Favorite** 工作模式的個人化設置 (功率和特性)
- 工具設定 (例如吸塵裝置的運作時間、工作燈的參數)
- 狀態檢測、發送警告訊息
- 一般資訊
- 管理

如需 **Bluetooth® Low Energy Module GCY 42** 的相關資訊，請詳讀其操作說明書。

電動工具透過 **Bluetooth®** 無線技術傳送資訊 (例如溫度警告) 至行動終端裝置時，將出現智慧型手機符號 **(28)**。

停用連線功能

- ▶ 搭載 **Bluetooth® Low Energy Module** 的電動工具配備無線介面。請您務必遵守不同場所的使用限制條件，例如在飛機或醫院內。

提示：電動工具內如有 **Bluetooth® Low Energy Module** 和鈕扣電池時，務必確實關上護蓋 **(15)**。

- 若要關閉 **Bluetooth® Low Energy Module**，請轉動鈕扣電池或在鈕扣電池和 **Bluetooth® Low Energy Module** 之間置放一個絕緣件。
- 關上護蓋 **(15)**，讓灰塵無法侵入。

作業注意事項

調整鑽孔深度 (請參考圖M)

您可利用限深擋塊**(21)**設定所需鑽孔深度 **X**。

- 請按壓限深擋塊調整按鈕**(19)**然後將限深擋塊安裝到輔助手柄**(20)**上。限深擋塊**(21)**上的刻紋必須朝下。
- 將 SDS-plus 嵌件工具往 SDS-plus 工具夾座**(3)**推入到底。SDS-plus 工具若未確實裝好，會影響深度設定的準確性。
- 將限深擋塊拉出至，鑽頭尖端與限深擋塊尖端之間的距離等於所需的鑽孔深度 **X**。

過載離合器

- ▶ 如果工具卡住了，傳往主軸的動力會中斷。請務必用雙手握穩電動工具並採取穩固站姿，以隨時承受此時出現的作用力。
- ▶ 如果電動工具卡死，請關閉電動工具的電源，然後鬆開嵌件工具。啟動機器時如果安裝在機器上的鑽孔工具被卡住了，會產生高的反作用扭力。

快關功能 (Kickback Control)



與未配備 Kickback Control 的電動工具相較之下，快關功能 (Kickback Control) 可讓您更容易掌控電動工具，因此操作人員的安全性也就隨之獲得更多保障。電動工具的鑽孔轉軸只要有非預期性的突發旋轉動作，將立即停機，此時快關功能指示器將隨之亮起紅色且工作燈 **(18)** 也會閃爍。快關功能啟用時，狀態指示器 **(29)** 呈紅色閃爍狀態。

- 此時若想繼續操作，則須將起停開關 **(12)** 放開後再重新按壓。

減震裝置

MW Vibration Control 內建減震裝置，可減緩震動。

- ▶ 如果減震裝備損壞了，勿繼續使用電動工具。

裝上螺絲起子工具頭 (請參考圖N)

- ▶ 電動工具應先停止運轉，然後才放到螺母/螺絲上。轉動中的嵌件工具可能會滑開。

若要使用螺絲起子工具頭，須備妥一個具有 SDS-plus 接頭柄的萬用接桿**(38)** (配件)。

- 清潔接頭柄的末端並且塗上少許潤滑油脂。
- 把萬用接桿轉進工具夾座中，必須轉至萬用接桿自動鎖定為止。
- 拉動萬用接桿，以確認萬用接桿是否已確實鎖止。
- 把螺絲起子工具頭插入萬用接桿中。必須使用與螺絲頭大小相符的螺絲起子工具頭。
- 若要取下萬用接桿，請將鎖定套筒**(5)**往後推，然後將萬用接桿**(38)**從工具夾座中取出即可。

懸掛電動工具 (請參考圖 O)

利用掛鉤 **(13)** 即可將電動工具固定於適當的吊掛裝置上。

- 將掛鉤 **(13)** 往把手 **(11)** 的方向按一下，以解開鎖扣。掛鉤會自行向後伸出。
- 將掛鉤轉至一側。

- 檢查掛鉤 (13) 是否有任何損壞或變形。
若掛鉤 (13) 已受損、變形或無法牢固固定於電動工具上，則請勿使用掛鉤。
- 將電動工具利用掛鉤 (13) 掛到一固定的吊掛裝置上。
為避免造成損壞或人身傷害，吊掛裝置不得裝設在走道上方或緊鄰工作範圍處。
掛鉤僅是為吊掛電動工具包括所安裝的配件而設計。
- 當要使用電動工具作業時，將掛鉤 (13) 轉回，並略微施力將其向前及向下推入鎖定位置。
- ▶ 切勿將掛鉤 (13) 作為防墜設備使用。
切勿將防墜設備固定於掛鉤上。

固定防墜設備 (請參考圖 P)

提示：為防止電動工具掉落，應使用適用於系統重量的防墜設備 (40)。防墜設備的最大允許長度為 1.8 m。務必遵守電動工具上允許的固定區域(39)。所使用的防墜設備最好是帶有拉桿的吊帶或帶有減震器的防墜設備。

固定防墜設備 (40) 時，務必遵守其操作說明書。

- ▶ 請務必將防墜設備的另一側固定到穩固的結構 (例如建築物或鷹架) 上，切勿固定在使用者自己身上。

自由墜落保護裝置必須能活動自如，並且只能連接到錨定點 (41) 和電動工具上允許的固定區域 (39)

選擇錨定點 (41)，以便電動工具在墜落時可以自由落入防墜裝置，而不會纏住或危及使用者。

切勿將掛鉤 (13) 作為防墜設備使用。

切勿將防墜設備固定於掛鉤上。

切勿在裝有吸塵裝置 GDE 18V-16 或 GDE 16 Plus 的電動工具上使用防墜設備。

維修和服務

保養與清潔

- ▶ 在電動工具上進行任何維護的工作 (例如維修，更換工具等) 以及搬運和儲存電動工具之前，都必須從電動工具中取出充電電池。若是不小心觸動起停開關，可能造成人員受傷。
- ▶ 電動工具和通風口都必須保持清潔，這樣才能夠提高工作品質和安全性。
- ▶ 防塵蓋若有受損，應立即更換。最好委託本公司的顧客服務處換裝。
- 每次使用後，請清潔工具夾座 (3)。

顧客服務處和顧客諮詢中心

本公司顧客服務處負責回答有關本公司產品的維修、維護和備用零件的問題。以下的網頁中有分解圖和備用零件相關資料：www.bosch-pt.com
如果對本公司產品及其配件有任何疑問，博世應用諮詢小組很樂意為您提供協助。

當您需要諮詢或訂購備用零件時，請務必提供本產品型號銘牌上 10 位數的產品機號。

台灣

台灣羅伯特博世股份有限公司
建國北路一段90 號6 樓
台北市10491
電話: (02) 7734 2588
傳真: (02) 2516 1176
www.bosch-pt.com.tw

製造商地址:

Robert Bosch Power Tools GmbH
羅伯特· 博世電動工具有限公司
70538 Stuttgart / GERMANY
70538 斯圖加特/ 德國

以下更多客戶服務處地址：

www.bosch-pt.com/serviceaddresses

搬運

建議使用的鋰離子充電電池受危險物品法的規範。使用者無須另外使用保護包裝便可運送該充電電池。

但是如果將它交由第三者運送 (例如：寄空運或委託運輸公司)，則應遵照包裝與標示的相關要求。此時必須向危險物品專家請教有關寄送危險物品的相關事宜。

確定充電電池的外殼未受損後，才可以寄送充電電池。用膠帶貼住裸露的接點並妥善包裝充電電池，不可以讓充電電池在包裝材料中晃動。同時也應留意各國相關法規。

廢棄物處理



必須以符合環保的方式，將損壞的電動工具、充電電池、配件和包裝材料進行回收再利用。



不可以把電動工具和充電電池／拋棄式電池丟入一般家庭垃圾中！

充電電池／拋棄式電池：

鋰離子：

請注意「搬運」段落中的指示 (參見「搬運」，頁 57)。

有關台灣的更多資訊

NCC 警語

低功率電波輻射性電機管理辦法

第十二條經型式認證合格之低功率射頻電機，非經許可，公司，商號或使用者均不得擅自變更頻率，加大功率或變更原設計之特性及功能。

第十四條低功率射頻電機之使用不得影響飛航安全及干擾合法通信；經發現有干擾現象時，應立即停用，並改善至無干擾時方得繼續使用。

前項合法通信，指依電信規定作業之無線電通信。

低功率射頻電機須忍受合法通信或工業，科學及醫療用電波輻射性電機設備之干擾。

ไทย

กฎระเบียบเพื่อความปลอดภัย

คำเตือนเพื่อความปลอดภัยทั่วไปสำหรับเครื่องมือไฟฟ้า

⚠ คำเตือน อ่านคำเตือนเพื่อความปลอดภัย คำแนะนำ ภาพประกอบ และข้อมูล

จำเพาะทั้งหมดที่จัดส่งมาพร้อมกับเครื่องมือไฟฟ้า

การไม่ปฏิบัติตามคำแนะนำทั้งหมดที่ระบุไว้ด้านล่างนี้อาจทำให้ถูกไฟฟ้าดูด เกิดไฟไหม้ และ/หรือได้รับบาดเจ็บอย่างร้ายแรง

เก็บรักษาคำเตือนและคำสั่งทั้งหมดสำหรับเปิดอ่านในภายหลัง

คำว่า "เครื่องมือไฟฟ้า" ในคำเตือนหมายถึง เครื่องมือไฟฟ้าของท่านที่ทำงานด้วยพลังงานไฟฟ้าจากแหล่งจ่ายไฟหลัก (มีสายไฟฟ้า) และเครื่องมือไฟฟ้าที่ทำงานด้วยพลังงานไฟฟ้าจากแบตเตอรี่ (ไร้สาย)

ความปลอดภัยในสถานที่ทำงาน

- ▶ **รักษาสถานที่ทำงานให้สะอาดและมีไฟส่องสว่างดี** สถานที่ที่มีมืดหรือรกรุงรังนำมาซึ่งอุบัติเหตุ
- ▶ **อย่าใช้เครื่องมือไฟฟ้าทำงานในสภาพบรรยากาศที่จุดติดไฟได้ เช่น ในที่มีมีของเหลวไวไฟ ก๊าซ หรือฝุ่น** เมื่อใช้เครื่องมือไฟฟ้าจะเกิดประกายไฟซึ่งอาจจุดฝุ่นหรือไอให้ลุกเป็นไฟได้
- ▶ **ขณะใช้เครื่องมือไฟฟ้าทำงาน ต้องกันเด็กและผู้ยี่นดูให้ออกห่าง** การหันเหความสนใจอาจทำให้ท่านขาดการควบคุมเครื่องมือได้

ความปลอดภัยเกี่ยวกับไฟฟ้า

- ▶ **ปลั๊กของเครื่องมือไฟฟ้าต้องเหมาะสมพอดีกับเต้าเสียบ** อย่าตัดแปลงปลั๊กไม่ว่าในลักษณะใดๆ อย่างเด็ดขาด อย่าใช้ปลั๊กพ่วงต่อใดๆ กับเครื่องมือไฟฟ้าที่มีสายดิน ปลั๊กที่ไม่ตัดแปลงและเต้าเสียบที่เข้ากันช่วยลดความเสี่ยงจากการถูกไฟฟ้าดูด
- ▶ **หลีกเลี่ยงอย่าให้ร่างกายสัมผัสกับพื้นผิวที่ต่อสายดินหรือลงกราวด์ไว้ เช่น ท่อ เครื่องทำความร้อน เตา และตู้เย็น** จะเสี่ยงอันตรายจากการถูกไฟฟ้าดูดมากขึ้นหากกระแสไฟฟ้าวิ่งผ่านร่างกายของท่านลงดิน

- ▶ **อย่าให้เครื่องมือไฟฟ้าถูกฝนหรืออยู่ในสภาพเปียกชื้น** หากน้ำเข้าในเครื่องมือไฟฟ้า จะเพิ่มความเสี่ยงจากการถูกไฟฟ้าดูด
- ▶ **อย่าใช้สายไฟฟ้าในทางที่ผิด** อย่าใช้สายไฟฟ้าเพื่อยก ดึง หรือถอดปลั๊กเครื่องมือไฟฟ้า กั้นสายไฟฟ้าออกจากความร้อน น้ำมัน ขอบแหลมคม หรือชิ้นส่วนที่เคลื่อนที่ สายไฟฟ้าที่ชำรุดหรือพันกันยุ่งเพิ่มความเสี่ยงจากการถูกไฟฟ้าดูด
- ▶ **เมื่อใช้เครื่องมือไฟฟ้าทำงานกลางแจ้ง ให้ใช้สายไฟต่อที่เหมาะสมสำหรับการใช้งานกลางแจ้ง** การใช้สายไฟต่อที่เหมาะสมสำหรับงานกลางแจ้งช่วยลดอันตรายจากการถูกไฟฟ้าดูด
- ▶ **หากไม่สามารถหลีกเลี่ยงการใช้เครื่องมือไฟฟ้าทำงานในสถานที่เปียกชื้นได้ ให้ใช้สวิตช์ตัดวงจรเมื่อเกิดการรั่วไหลของไฟฟ้าจากสายดิน (RCD)** การใช้สวิตช์ตัดวงจรเมื่อเกิดการรั่วไหลของไฟฟ้าจากสายดินช่วยลดความเสี่ยงต่อการถูกไฟฟ้าดูด

ความปลอดภัยของบุคคล

- ▶ **ท่านต้องอยู่ในสภาพเตรียมพร้อม ระมัดระวังในสิ่งที่ท่านกำลังทำอยู่ และมีสติขณะใช้เครื่องมือไฟฟ้าทำงาน** อย่าใช้เครื่องมือไฟฟ้าขณะที่ท่านกำลังเหนื่อย หรืออยู่ภายใต้การครอบงำของฤทธิ์ของยาเสพติด แอลกอฮอล์ และยา เมื่อใช้เครื่องมือไฟฟ้าทำงานในช่วงเวลาที่ท่านขาดความเอาใจใส่อาจทำให้บุคคลบาดเจ็บอย่างรุนแรงได้
- ▶ **ใช้อุปกรณ์ปกป้องร่างกาย สวมแว่นตาป้องกันเสมอ** อุปกรณ์ปกป้อง เช่น หนวดกากันฝุ่น รองเท้ากันลื่น หมวกแข็ง หรือประคบทุกชิ้นเสี่ยงดังที่ใช้อย่างเหมาะสมกับสภาพการทำงาน จะลดการบาดเจ็บทางร่างกาย
- ▶ **ป้องกันการติดเครื่องโดยไม่ตั้งใจ ตรวจสอบให้แน่ใจว่าสวิตช์อยู่ในตำแหน่งปิดก่อนเชื่อมต่อเข้ากับแหล่งจ่ายไฟ และ/หรือแบตเตอรี่แพ็ค ยกหรือถือเครื่องมือการถือเครื่องโดยใช้นิ้วหัวที่สวิตช์ หรือเสียบปลั๊กไฟฟ้าขณะสวิตช์เปิดอยู่ อาจนำไปสู่อุบัติเหตุที่ร้ายแรงได้**
- ▶ **นำเครื่องมือปรับแต่งหรือประแจปากตายออกก่อนเปิดสวิตช์เครื่องมือไฟฟ้า** เครื่องมือหรือประแจปากตายที่วางอยู่กับส่วนของเครื่องที่กำลังหมุนจะทำให้บุคคลบาดเจ็บได้
- ▶ **อย่าเอื้อมไกลเกินไป** ตั้งทำขึ้นที่มั่นคงและวางน้ำหนักให้สมดุลตลอดเวลา ในลักษณะนี้ท่านสามารถควบคุมเครื่องมือไฟฟ้าในสถานการณ์ที่ไม่คาดคิดได้ดีกว่า
- ▶ **แต่งกายอย่างเหมาะสม** อย่าใส่เสื้อผ้าหลวมหรือสวมเครื่องประดับ เหน็บและเสื้อผ้ออกห่างจากชิ้นส่วนที่

เคลื่อนที่ เลื่อนผ้าหวม เครื่องประดับ และหมวยาวอาจเข้าไปติดในชิ้นส่วนที่เคลื่อนที่

- ▶ หากเครื่องมือไฟฟ้ามีข้อเชื่อมต่อกับเครื่องดูดฝุ่นหรือเครื่องเก็บผง ให้ตรวจสอบให้แน่ใจว่าได้เชื่อมต่อและใช้งานอย่างถูกต้อง การใช้อุปกรณ์ดูดฝุ่นช่วยลดอันตรายที่เกิดจากฝุ่นได้
- ▶ เมื่อใช้งานเครื่องมือขบหรือเครื่องจะเกิดความคุ้นเคย อย่าให้ความคุ้นเคยทำให้ท่านเกิดความชะล่าใจและละเลยกฎเกณฑ์ด้านความปลอดภัยในการใช้งานเครื่อง การทำงานอย่างไม่ระมัดระวังอาจทำให้เกิดการบาดเจ็บอย่างร้ายแรงภายในเสี้ยววินาที

การใช้และการดูแลรักษาเครื่องมือไฟฟ้า

- ▶ อย่างสม่ำเสมอเครื่องมือไฟฟ้า ใช้เครื่องมือไฟฟ้าที่ถูกต้องตรงตามลักษณะงานของท่าน เครื่องมือไฟฟ้าที่ถูกต้องจะทำงานได้ดีกว่าและปลอดภัยกว่าในระดับสมรรถภาพที่ออกแบบไว้
- ▶ อย่าใช้เครื่องมือไฟฟ้าถ้าสวิตช์ไม่สามารถเปิดปิดได้ เครื่องมือไฟฟ้าที่ไม่สามารถควบคุมการเปิดปิดด้วยสวิตช์ได้ เป็นเครื่องมือไฟฟ้าที่ไม่ปลอดภัยและต้องส่งซ่อมแซม
- ▶ ก่อนปรับแต่งเครื่อง เปลี่ยนอุปกรณ์ประกอบ หรือเก็บเครื่องเข้าที่ ต้องถอดปลั๊กออกจากแหล่งจ่ายไฟ และ/หรือถอดแบตเตอรี่แพ็คเกจออกจากเครื่องมือไฟฟ้าหากถอดออกได้
- ▶ มาตรการป้องกันเพื่อความปลอดภัยนี้ช่วยลดความเสี่ยงจากการติดเครื่องโดยไม่ตั้งใจ
- ▶ เมื่อเลิกใช้งานเครื่องมือไฟฟ้า ให้เก็บเครื่องไว้ในที่ที่เด็กหยิบไม่ถึง และไม่อนุญาตให้บุคคลที่ไม่คุ้นเคยกับเครื่องหรือบุคคลที่ไม่ได้อ่านคำแนะนำเหล่านี้ใช้เครื่องมือไฟฟ้าเป็นของอันตรายหากตกอยู่ในมือของผู้ใช้ที่ไม่ได้รับการฝึกฝน
- ▶ บำรุงรักษาเครื่องมือไฟฟ้าและอุปกรณ์ประกอบ ตรวจสอบชิ้นส่วนที่เคลื่อนที่ว่าวางไม่ตรงแนวหรือติดขัดหรือไม่ ตรวจสอบการแตกหักของชิ้นส่วนและสภาพอื่นใดที่อาจมีผลต่อการทำงานของเครื่องมือไฟฟ้า หากชำรุดต้องส่งเครื่องมือไฟฟ้าไปซ่อมแซมก่อนใช้งาน อุบัติเหตุหลายอย่างเกิดขึ้นเนื่องจากดูแลรักษาเครื่องไม่ดีพอ
- ▶ รักษาเครื่องมือตัด ให้คมและสะอาด หากบำรุงรักษาเครื่องมือที่มีขอบตัดแหลมคมอย่างถูกต้อง จะสามารถตัดได้ลื่นไม่ติดขัดและควบคุมได้ง่ายกว่า
- ▶ ใช้เครื่องมือไฟฟ้า อุปกรณ์ประกอบ เครื่องมือ และอุปกรณ์อื่น ๆ ตรงตามคำแนะนำเหล่านี้ โดยคำนึงถึงเงื่อนไขการทำงานและงานที่จะทำ การใช้เครื่อง

มือไฟฟ้าทำงานที่ต่างไปจากวัตถุประสงค์การใช้งานของเครื่อง อาจนำไปสู่สถานการณ์ที่เป็นอันตรายได้

- ▶ ดูแลคัมจับและพื้นผิวจับให้แห้ง สะอาด และปราศจากคราบน้ำมันและจาระบี คัมจับและพื้นผิวจับที่ลื่นทำให้หือจับได้ไม่ปลอดภัย และไม่สามารถควบคุมเครื่องมือในสถานการณ์ที่ไม่คาดคิด

การใช้และการดูแลรักษาเครื่องที่ใช้แบตเตอรี่

- ▶ ชาร์จไฟใหม่ด้วยเครื่องชาร์จที่บริษัทผู้ผลิตระบุไว้เท่านั้น เครื่องชาร์จที่เหมาะสมสำหรับชาร์จแบตเตอรี่แพ็คเกจหนึ่ง หากนำไปชาร์จแบตเตอรี่แพ็คเกจอื่น อาจเกิดไฟไหม้ได้
 - ▶ ใช้เครื่องมือไฟฟ้าเฉพาะกับแบตเตอรี่แพ็คเกจที่กำหนดไว้เท่านั้น การใช้แบตเตอรี่แพ็คเกจอื่นเสี่ยงต่อการเกิดไฟไหม้หรือบาดเจ็บ
 - ▶ เมื่อไม่ใช้งานแบตเตอรี่แพ็คเกจ ให้เก็บไว้ห่างวัตถุที่เป็นโลหะอื่นๆ เช่น คลิปหนีบกระดาษ หรือกุญแจ ตะปู สกรู หรือวัตถุที่เป็นโลหะขนาดเล็กอื่นๆ ที่สามารถเชื่อมต่อขั้วหนึ่งไปยังอีกขั้วหนึ่งได้ การลัดวงจรของขั้วแบตเตอรี่อาจทำให้เกิดการไหม้หรือไฟลุกได้
 - ▶ หากใช้แบตเตอรี่อย่างอาจมีขงเหลวไหลออกมาจากแบตเตอรี่ได้ ให้หลีกเลี่ยงการสัมผัส หากสัมผัสโดยบังเอิญ ให้ใช้น้ำล้าง หากขงเหลวเข้าตา ให้ขอความช่วยเหลือจากแพทย์ด้วย
 - ▶ ของเหลวที่ไหลออกมาจากแบตเตอรี่อาจทำให้เกิดอาการคันหรือแสบผิวหนังได้
 - ▶ อย่าใช้แบตเตอรี่แพ็คเกจหรือเครื่องมือที่ชำรุดหรือดัดแปลง แบตเตอรี่ที่ชำรุดหรือดัดแปลงอาจแสดงอาการที่ไม่สามารถคาดเดาได้ ส่งผลให้เกิดไฟไหม้ ระเบิด หรือความเสี่ยงต่อการได้รับบาดเจ็บ
 - ▶ อย่าให้แบตเตอรี่แพ็คเกจหรือเครื่องมือสัมผัสไฟหรืออุณหภูมิที่สูงเกินไป หากสัมผัสไฟหรืออุณหภูมิที่สูงกว่า 130 °C อาจทำให้เกิดการระเบิดได้
 - ▶ ปฏิบัติตามคำแนะนำเกี่ยวกับการชาร์จทั้งหมด และต้องไม่ชาร์จแบตเตอรี่แพ็คเกจหรือเครื่องมือ นอกช่วงอุณหภูมิที่กำหนดในคำแนะนำ การชาร์จแบตเตอรี่อย่างไม่ถูกวิธีหรือนอกช่วงอุณหภูมิที่กำหนด อาจทำให้แบตเตอรี่เสียหายและเพิ่มความเสี่ยงต่อการเกิดไฟไหม้
- #### การบริการ
- ▶ ส่งเครื่องมือไฟฟ้าของท่านเข้ารับบริการจากช่างซ่อมที่มีคุณสมบัติเหมาะสม โดยใช้อะไหล่ที่เหมือน

กันเท่านั้น ในลักษณะนี้ท่านจะแน่ใจได้ว่าเครื่องมือไฟฟ้าอยู่ในสภาพที่ปลอดภัย

- ▶ **อย่าบำรุงรักษาแบตเตอรี่แพ็คเกจที่ชำรุดอย่างเด็ดขาด** ต้องส่งให้บริษัทผู้ผลิตหรือศูนย์บริการที่ได้ รับอนุญาตทำการบำรุงรักษาแบตเตอรี่แพ็คเกจเท่านั้น

คำเตือนเพื่อความปลอดภัยสำหรับคอน

คำเตือนเพื่อความปลอดภัยสำหรับการทำงานทั้งหมด

- ▶ **สวมประภคหูป้องกันเสียงดัง** การรับฟังเสียงดังอาจทำให้สูญเสียการได้ยิน
- ▶ **ใช้ตามจับเพิ่มเติมหากจัดส่งมาพร้อมกับเครื่อง** การสวมคลุมอาจทำให้บุคคลได้รับบาดเจ็บ
- ▶ **เมื่อทำงานในบริเวณที่เครื่องมือตัดหรือสกปรกอาจสัมผัสสายไฟฟ้าที่ซ่อนอยู่** ต้องจับเครื่องมือไฟฟ้าตรงพื้นผิวจับที่หุ้มฉนวน หากเครื่องมือตัดและสกรูสัมผัสสายที่ "มีกระแสไฟฟ้า" ไหลผ่าน จะทำให้ชิ้นส่วนโลหะที่ไม่ได้หุ้มฉนวนของเครื่องมือไฟฟ้าเกิด "มีกระแสไฟฟ้า" ด้วย และส่งผลให้ผู้ใช้งานเครื่องถูกไฟฟ้าดูดได้

คำเตือนเพื่อความปลอดภัยเมื่อใช้ดอกสว่านยาวด้วยคอนหมุน

- ▶ **เริ่มต้นเจาะด้วยความเร็วต่ำและให้ปลายดอกสว่านสัมผัสชิ้นงานเสมอ** ที่ความเร็วที่สูงกว่า ดอกสว่านอาจโค้งงอเมื่อปล่อยให้หมุนอย่างอิสระโดยไม่สัมผัสชิ้นงาน และส่งผลให้ได้รับบาดเจ็บทางร่างกาย
- ▶ **ใช้แรงกดให้ตรงกับแนวดอกสว่านเท่านั้นและอย่าใช้แรงกดมากเกินไป** ปลายดอกสว่านอาจโค้งงอทำให้แตกหักหรือสูญเสียการควบคุม และส่งผลให้ได้รับบาดเจ็บทางร่างกาย

คำแนะนำเพื่อความปลอดภัยเพิ่มเติม

- ▶ **ใช้เครื่องตรวจจับที่เหมาะสมเพื่อตรวจสอบหาสายไฟฟ้าหรือท่อสาธารณูปโภคที่อาจซ่อนอยู่ในบริเวณทำงานหรือติดต่อบริษัทสาธารณูปโภคในพื้นที่เพื่อขอความช่วยเหลือ** การสัมผัสกับสายไฟฟ้าอาจทำให้เกิดไฟไหม้หรือถูกไฟฟ้าดูด การทำให้ท่อแก๊สเสียหายอาจทำให้เกิดระเบิด การเจาะเข้าไปในท่อน้ำ ทำให้ทรัพย์สินเสียหาย
- ▶ **รอให้เครื่องมือไฟฟ้าหยุดสนิทก่อนวางเครื่องลงบนพื้น** เครื่องมือที่ปล่อยอยู่อาจติดขัดและทำให้สูญเสียการควบคุมเครื่องมือไฟฟ้า
- ▶ **ยึดชิ้นงานให้แน่น** การยึดชิ้นงานด้วยเครื่องหนีบหรือแท่นจับจะมั่นคงกว่าการยึดด้วยมือ
- ▶ **เมื่อแบตเตอรี่ชำรุดและนำไปใช้งานอย่างไม่ถูกต้อง อาจมีไอระเหยออกมาได้** แบตเตอรี่อาจเผาไหม้หรือ

ระเบิดได้ให้สูดอากาศบริสุทธิ์และไปพบแพทย์ในกรณีเจ็บปวด ไอระเหยอาจทำให้ระบบหายใจระคายเคือง

- ▶ **อย่าเปิดแบตเตอรี่** อันตรายจากการลัดวงจร
- ▶ **วัตถุที่แหลมคม ต. ย. เช่น ตะปูหรือไขควง หรือแรงกระทำภายนอก อาจทำให้แบตเตอรี่เสียหายได้** สิ่งเหล่านี้ อาจทำให้เกิดการลัดวงจรภายในและแบตเตอรี่ใหม่ มีควัน ระเบิด หรือร้อนเกินไป
- ▶ **ใช้เฉพาะแบตเตอรี่จากผลิตภัณฑ์ของผู้ผลิต** ในลักษณะนี้ แบตเตอรี่แพ็คเกจจะได้รับการปกป้องจากการใช้งานเกินกำลังซึ่งเป็นอันตราย



ปกป้องแบตเตอรี่จากความร้อน รวมทั้ง ต. ย. เช่น จากการถูกแสงแดดส่องต่อเนื่อง จากไฟลิ่งสปริง น้ำ และความชื้น อันตรายจากการระเบิดและการลัดวงจร

- ▶ **ห้ามสัมผัสเครื่องมือหรือชิ้นส่วนใดๆ ที่อยู่ติดกันหลังเสร็จสิ้นการใช้งานแล้วไม่นาน** ชิ้นส่วนเหล่านี้อาจร้อนจัดระหว่างการทำงานและทำให้เกิดแผลไหม้ได้
- ▶ **เครื่องมืออาจติดขัดในขณะเจาะ** ตั้งทำยีนที่มั่นคงและจับเครื่องมือไฟฟ้าด้วยมือทั้งสองข้างอย่างแน่นหนา มิฉะนั้นคุณอาจสูญเสียการควบคุมเครื่องมือไฟฟ้า
- ▶ **ใช้ความระมัดระวังในขณะรื้อถอนด้วยสิ่ว** เศษวัสดุการรื้อถอนที่ร่วงหล่นอาจทำให้ผู้คนรอบข้างหรือตัวคุณเองบาดเจ็บได้
- ▶ **จับเครื่องมือไฟฟ้าให้แน่นด้วยมือทั้งสองข้างและตั้งทำยีนให้มั่นคงขณะทำงาน** ท่านจะสามารถนำทางเครื่องมือไฟฟ้าได้ปลอดภัยกว่าเมื่อจับเครื่องมือทั้งสองข้าง
- ▶ **ระวัง! การใช้เครื่องมือไฟฟ้าพร้อม Bluetooth® อาจรบกวนอุปกรณ์และเครื่องมืออื่นๆ เครื่องบิน และอุปกรณ์ทางการแพทย์ (เช่น เครื่องกระตุ้นหัวใจ เครื่องช่วยฟัง) นอกจากนี้ยังอาจเกิดความเสียหายต่อคนและสัตว์ในบริเวณใกล้เคียงด้วย** อย่าใช้เครื่องมือไฟฟ้าพร้อม Bluetooth® ใกล้อุปกรณ์ทางการแพทย์ สถานีบริการน้ำมัน โรงงานสารเคมี พื้นที่ที่มีบรรยากาศเสี่ยงต่อการระเบิด และพื้นที่ปฏิบัติการระเบิด อย่าใช้เครื่องมือไฟฟ้าพร้อม Bluetooth® ในเครื่องบิน หลีกเลี่ยงการทำงานเป็นระยะเวลานานตรงบริเวณใกล้ร่างกายโดยตรง

เครื่องหมายข้อความ Bluetooth® และยี่ห้อเป็นเครื่องหมายการค้าจดทะเบียนและเป็นกรรมสิทธิ์ของ Bluetooth SIG, Inc. บริษัท Robert Bosch Power Tools GmbH ได้รับใบอนุญาตใช้งานเครื่องหมายข้อความ/โลโก้ดังกล่าว

รายละเอียดผลิตภัณฑ์และข้อมูล

จำเพาะ



อ่านคำเตือนเพื่อความปลอดภัยและคำแนะนำทั้งหมด การไม่ปฏิบัติตามคำเตือนและคำสั่งอาจเป็นสาเหตุให้ถูกไฟฟ้าดูด เกิดไฟไหม้ และ/หรือได้รับบาดเจ็บอย่างร้ายแรง

กรุณาดูภาพประกอบในส่วนหน้าของคู่มือการใช้งาน

ประโยชน์การใช้งานของเครื่อง

เครื่องนี้ใช้สำหรับเจาะตอกในคอนกรีต อิฐ และหิน และยังใช้สำหรับงานสกัดเบาๆ เครื่องนี้ยังเหมาะสำหรับเจาะโดยไม่กระทบแก๊สในไม้ โลหะ เซรามิก และพลาสติกอีกด้วย เครื่องมือไฟฟ้าที่มีระบบควบคุมอิเล็กทรอนิกส์และการหมุนซ้าย/ขวาสามารถใช้ขันสกรูได้ด้วย

เมื่อมี Bluetooth® Low Energy Module **GCY 42** ใส่อยู่นั้นจะสามารถถ่ายโอนข้อมูลและการตั้งค่าของเครื่องมือไฟฟ้าระหว่างเครื่องมือไฟฟ้าและอุปกรณ์เคลื่อนที่ปลายทางผ่านเทคโนโลยีไร้สาย Bluetooth®

ส่วนประกอบที่แสดงภาพ

ลำดับเลขของส่วนประกอบผลิตภัณฑ์อ้างอิงถึงส่วนประกอบของเครื่องมือไฟฟ้าที่แสดงในหน้าภาพประกอบ

- (1) หัวจับดอกชนิดเปลี่ยนเร็ว (GBH 18V-28 CF)
 - (2) หัวจับดอก SDS plus (GBH 18V-28 CF)
 - (3) ด้ามจับเครื่องมือ SDS plus
 - (4) ฝาครอบกันฝุ่น
 - (5) ปลอกสำหรับล้อค
 - (6) แหวนล้อคสำหรับหัวจับดอก (GBH 18V-28 CF)
 - (7) ตัวหน่วงการสั่นสะเทือน
 - (8) อินเตอร์เฟสผู้ใช้
 - (9) แป้นปลดล็อกแบตเตอรี่^{a)}
 - (10) สวิตช์เปลี่ยนทิศทางการหมุน
 - (11) ด้ามจับ (พื้นผิวจับหุ้มฉนวน)
 - (12) สวิตช์เปิด-ปิด
 - (13) ตะขอแขวน
 - (14) แบตเตอรี่แพ็ค^{a)}
 - (15) ฝาครอบ Bluetooth
 - (16) ปุ่มปลดล็อกสวิตช์หยุดกระแส/หยุดหมุน
 - (17) สวิตช์หยุดกระแส/หยุดหมุน
 - (18) โฟล่องบริเวณทำงาน
 - (19) ปุ่มสำหรับปรับก้านวัดความลึก
 - (20) ด้ามจับเพิ่ม (พื้นผิวจับหุ้มฉนวน)
 - (21) ก้านวัดความลึก
 - (22) ไฟแสดงสถานะการชาร์จแบตเตอรี่ (อินเตอร์เฟสผู้ใช้)
 - (23) ไอคอนตั้งค่าความเร็วผ่านแอปบนสมาร์ตโฟน (อินเตอร์เฟสผู้ใช้)
 - (24) ไอคอนกำลังไฟฟาลดลง (อินเตอร์เฟสผู้ใช้)
 - (25) ไฟแสดงโหมดงาน (อินเตอร์เฟสผู้ใช้)
 - (26) ปุ่มสำหรับเลือกโหมดงาน (อินเตอร์เฟสผู้ใช้)
 - (27) ไอคอนสมรรถนะสูงสุด (อินเตอร์เฟสผู้ใช้)
 - (28) ไอคอนสมาร์ตโฟน (อินเตอร์เฟสผู้ใช้)
 - (29) ไฟแสดงสถานะเครื่องมือไฟฟ้า (อินเตอร์เฟสผู้ใช้)
 - (30) สกรูยึดสำหรับหัวจับดอกชนิดมีเฟืองใน (GBH 18V-28 C)^{a)}
 - (31) หัวจับดอกชนิดมีเฟืองใน (GBH 18V-28 C)^{a)}
 - (32) ก้านติดตั้ง SDS plus สำหรับหัวจับดอก (GBH 18V-28 C)^{a)}
 - (33) ขั้วรับหัวจับดอก (GBH 18V-28 CF)
 - (34) ร่องเอกลักษณ์
 - (35) ประแจหัวจับดอก (GBH 18V-28 C)
 - (36) ปลอกหน้าของหัวจับดอกชนิดเปลี่ยนเร็ว (GBH 18V-28 CF)
 - (37) แหวนกันของหัวจับชนิดเปลี่ยนเร็ว (GBH 18V-28 CF)
 - (38) ด้ามจับดอกทั่วไปที่มีก้าน SDS plus^{a)}
 - (39) พื้นที่ตั้งตั้งอุปกรณ์ป้องกันการตกหล่นที่เครื่องมือไฟฟ้า
 - (40) อุปกรณ์ป้องกันการตกหล่น^{b)}
 - (41) จุดยึดแบบตายตัวที่อุปกรณ์ป้องกันการตกหล่น^{b)}
- a) อุปกรณ์ประกอบที่แสดงภาพหรืออธิบายไม่รวมอยู่ในการจัดส่งมาตรฐาน
กรุณาดูอุปกรณ์ประกอบทั้งหมดในรายการแสดงอุปกรณ์ประกอบของเรา
- b) อุปกรณ์ประกอบที่แสดงภาพหรืออธิบายไม่รวมอยู่ในการจัดส่งมาตรฐานและไม่รวมถึงอุปกรณ์เสริมต่างๆ ของ Bosch

ข้อมูลทางเทคนิค

ส่วนกระแทกโรยสาร		GBH 18V-28 C	GBH 18V-28 CF
หมายเลขสินค้า		3 611 J20 0..	3 611 J21 0..
การควบคุมความเร็ว		●	●
หยุดการหมุน		●	●
การหมุนทางซ้าย/ขวา		●	●
หัวจับดอก		-	●
แรงดันไฟฟ้าพิกัด	V=	18	18
อัตรากระแทก ^{A)}	นาที่ ⁻¹	0-4220	0-4220
พลังงานกระแทกต่อครั้งตามระเบียบการ EPTA-Procedure 05:2016	จูล	3.3	3.3
ความเร็วรอบเดินตัวเปล่า ^{A)}			
- การหมุนทางขวา	นาที่ ⁻¹	0-950	0-950
- การหมุนทางซ้าย	นาที่ ⁻¹	0-950	0-950
ด้ามจับเครื่องมือ		SDS plus	SDS plus
เส้นผ่านศูนย์กลางปลอกแกน	มม.	50	50
เส้นผ่านศูนย์กลางรูเจาะสูงสุด:			
- คอนกรีต	มม.	28	28
- งานก่ออิฐ (ด้วยดอกเจาะคว้าน)	มม.	82	82
- เหล็กกล้า	มม.	13	13
- ไม้	มม.	30	30
น้ำหนักโดยไม่มีแบตเตอรี่แพ็ค	กก.	3.3	3.4
น้ำหนักตามระเบียบการ EPTA-Procedure 01:2014	กก.	3.7-4.7	3.8-4.8
ความยาว	มม.	349	378
ความสูง	มม.	225	225
ความกว้าง	มม.	92	92
อุณหภูมิโดยรอบที่แนะนำเมื่อชาร์จ	°C	0 ... +35	0 ... +35
อุณหภูมิโดยรอบที่อนุญาตเมื่อใช้งาน ^{B)} และระหว่างการเก็บรักษา	°C	-15 ... +50	-15 ... +50
แบตเตอรี่ที่ใช้งานร่วมกันได้		GBA 18V... ProCORE18V...	GBA 18V... ProCORE18V...
แบตเตอรี่ที่แนะนำ		GBA 18V... ≥5.0 Ah ProCORE18V... ≥4.0 Ah	GBA 18V... ≥5.0 Ah ProCORE18V... ≥4.0 Ah

ส่วนกระแทกไร้สาย	GBH 18V-28 C	GBH 18V-28 CF
เครื่องชาร์จที่แนะนำ	GAL 18...	GAL 18...
	GAX 18...	GAX 18...
	GAL 36...	GAL 36...

A) ดำเนินการวัด ณ อุณหภูมิ 20–25 °C พร้อมแบตเตอรี่ ProCORE18V 4.0Ah

B) สมรรถภาพจะน้อยลงที่อุณหภูมิ < 0 °C

ค่าอาจแตกต่างกันไปตามผลิตภัณฑ์และขึ้นอยู่กับเงื่อนไขการใช้งานและสภาพแวดล้อม โปรดดูข้อมูลเพิ่มเติมที่เว็บไซต์ www.bosch-professional.com/wac

แบตเตอรี่

Bosch จำหน่ายเครื่องมือไฟฟ้าไร้สายไม่รวมแบตเตอรี่แพ็คด้วยเช่นกัน คุณสามารถดูได้จากบรรจุภัณฑ์ว่า ขอบเขตการจัดส่งเครื่องมือไฟฟ้าของคุณมีแบตเตอรี่แพ็คหรือไม่

การชาร์จแบตเตอรี่

► ใช้เฉพาะเครื่องชาร์จแบตเตอรี่ที่ระบุในข้อมูลทางเทคนิคเท่านั้น เฉพาะเครื่องชาร์จแบตเตอรี่เหล่านี้เท่านั้นที่เข้าชุดกับแบตเตอรี่ลิเธียม ไอออน ของเครื่องมือไฟฟ้าของท่าน

หมายเหตุ: แบตเตอรี่ลิเธียมไอออนถูกจัดตั้งโดยมีการชาร์จไฟบางส่วนตามระเบียบข้อบังคับด้านการขนส่งระหว่างประเทศ เพื่อให้แน่ใจว่าแบตเตอรี่จะทำงานได้อย่างสมบูรณ์แบบ ก่อนใช้งานครั้งแรกให้ชาร์จแบตเตอรี่จนเต็ม

การใส่แบตเตอรี่

ใส่แบตเตอรี่ที่ชาร์จแล้วเข้าในด้ามจับจนรู้สึกเข้าล็อก

การถอดแบตเตอรี่

เมื่อต้องการถอดแบตเตอรี่แพ็คออก ให้กดปุ่มปลดล็อกแบตเตอรี่และดึงแบตเตอรี่แพ็คออกจากเครื่องมือไฟฟ้าอย่างช้าๆ

แบตเตอรี่แพ็คมีการล็อก 2 ระดับเพื่อป้องกันไม่ให้แบตเตอรี่แพ็คร่วงหล่นออกมาหากกดปุ่มปลดล็อกแบตเตอรี่โดยไม่ตั้งใจ เมื่อแบตเตอรี่ถูกบรรจุอยู่ในเครื่องมือไฟฟ้า สปริงจะยึดแบตเตอรี่ให้เข้าตำแหน่ง

ไฟแสดงสถานะการชาร์จแบตเตอรี่

ไฟ LED สีเขียวของการแสดงสถานะการชาร์จแบตเตอรี่แสดงสถานะการชาร์จของแบตเตอรี่ ด้วยเหตุผลด้านความปลอดภัยที่ท่านสามารถตรวจสอบสถานะการชาร์จเฉพาะเมื่อเครื่องมือไฟฟ้าหยุดสนิทเท่านั้น

กดปุ่มสำหรับไฟแสดงสถานะการชาร์จแบตเตอรี่ ☺ หรือ ☹ เพื่อแสดงสถานะการชาร์จ ท่านสามารถกดได้แม้เมื่อได้ถอดแบตเตอรี่ออกแล้ว

หลังจากกดปุ่มสำหรับไฟแสดงสถานะการชาร์จแบตเตอรี่แล้วไฟ LED ไม่ติดขึ้น แสดงว่าแบตเตอรี่พร้อมและต้องเปลี่ยนใหม่

สถานะการชาร์จแบตเตอรี่จะปรากฏบน User Interface ไฟแสดงสถานะ

แบตเตอรี่-ชนิด GBA 18V...



LED	ความจุ
ไฟส่องสว่างต่อเนื่อง 3× สีเขียว	60–100 %
ไฟส่องสว่างต่อเนื่อง 2× สีเขียว	30–60 %
ไฟส่องสว่างต่อเนื่อง 1× สีเขียว	5–30 %
ไฟกะพริบ 1× สีเขียว	0–5 %

แบตเตอรี่-ชนิด ProCORE18V...



LED	ความจุ
ไฟส่องสว่างต่อเนื่อง 5× สีเขียว	80–100 %
ไฟส่องสว่างต่อเนื่อง 4× สีเขียว	60–80 %
ไฟส่องสว่างต่อเนื่อง 3× สีเขียว	40–60 %
ไฟส่องสว่างต่อเนื่อง 2× สีเขียว	20–40 %
ไฟส่องสว่างต่อเนื่อง 1× สีเขียว	5–20 %
ไฟกะพริบ 1× สีเขียว	0–5 %

ข้อแนะนำในการปฏิบัติต่อแบตเตอรี่อย่างเหมาะสมที่สุด

ปกป้องแบตเตอรี่จากความชื้นและน้ำ

เก็บรักษาแบตเตอรี่แพ็คในช่วงอุณหภูมิ -20 °C ถึง 50 °C เท่านั้น อย่าปล่อยให้วางแบตเตอรี่แพ็คไว้ในรถยนต์ในช่วงฤดูร้อน

ทำความสะอาดช่องระบายอากาศเป็นครั้งคราวโดยใช้แปรงขนอ่อนที่แห้งและสะอาด หลังจากชาร์จแบตเตอรี่แล้ว หากแบตเตอรี่แพ็คมีช่วงเวลาทำงานสั้นมาก แสดงว่าแบตเตอรี่แพ็คเสื่อมและต้องเปลี่ยนใหม่ อ่านและปฏิบัติตามข้อสังเกตสำหรับการกำจัดขยะ

การติดตั้ง

- ▶ ถอดแบตเตอรี่ออกจากเครื่องมือไฟฟ้าก่อนทำการปรับแต่งใดๆ ที่เครื่องมือไฟฟ้า (ต. ย. เช่น บำรุงรักษา เปลี่ยนเครื่องมือ ฯลฯ) รวมทั้งเมื่อขนย้ายและเก็บรักษา อันตรัยจากการบาดเจ็บหากสวิตช์เปิด-ปิดติดขึ้นอย่างไม่ตั้งใจ

การใส่ Bluetooth® Low Energy Module GCY 42 (อุปกรณ์ประกอบ)

สำหรับข้อมูลเกี่ยวกับโมดูล Bluetooth® Low Energy Module GCY 42 กรุณาอ่านหนังสือคู่มือการใช้งานที่เกี่ยวข้อง

ด้ามจับเพิ่ม

- ▶ ใช้เครื่องมือไฟฟ้าร่วมกับด้ามจับเพิ่ม (20) เสมอ
- ▶ ตรวจสอบให้แน่ใจว่า ดัชนีที่จับเสริมให้แน่นเสมอ มิฉะนั้นคุณอาจสูญเสียการควบคุมเครื่องมือไฟฟ้าขณะทำงานได้

การหมุนด้ามจับเพิ่ม (รูปภาพประกอบ A)

ท่านสามารถจับด้ามจับเพิ่ม (20) หนึ่งไปยังตำแหน่งใดก็ได้ เพื่อให้ได้ทำงานที่มั่นคงและเหนียวแน่น

- หมุนก้านจับด้านล่างของด้ามจับเพิ่ม (20) ทวนเข็มนาฬิกา และหันด้ามจับเพิ่ม (20) ไปยังตำแหน่งที่ต้องการ จากนั้นจึงหมุนก้านจับด้านล่างของด้ามจับเพิ่ม (20) ในทิศตามเข็มนาฬิกากลับเขาที่ให้แน่น ตรวจสอบให้แน่ใจว่าสายรัดปรับความตึงของด้ามจับเพิ่มอยู่ในร่องที่ตัวเครื่อง

การเลือกหัวจับดอกและเครื่องมือ

สำหรับการเจาะดอกและการสกัดต้องใช้เครื่องมือ SDS-plus ที่ใส่ในหัวจับดอก SDS-plus

สำหรับการเจาะโดยไม่กระทบในไม้ โลหะ เซรามิก และพลาสติก รวมทั้งการขันสกรู ต้องใช้เครื่องมือที่ไม่มี SDS-plus (ต. ย. เช่น ดอกสว่านที่มีก้านทรงกระบอก) ต้องใช้หัวจับดอกชนิดเปลี่ยนเร็วหรือหัวจับดอกที่มีเฟืองในสำหรับเครื่องมือเจาะเหล่านี้

การเปลี่ยนหัวจับดอก

การใส่/การถอดหัวจับดอกชนิดมีเฟืองใน

GBH 18V-28 C

สำหรับการทำงานกับเครื่องมือที่ไม่มี SDS-plus (ต. ย. เช่น ดอกสว่านที่มีก้านทรงกระบอก) ต้องติดตั้งหัวจับดอกที่เหมาะสมเข้า หัวจับดอกชนิดมีเฟืองในหรือหัวจับดอกชนิดเปลี่ยนเร็ว อุปกรณ์ประกอบ)

การติดตั้งหัวจับดอกชนิดมีเฟืองใน (รูปภาพประกอบ B)

- ชนกันติดตั้ง SDS-plus (32) เข้าในหัวจับดอกชนิดมีเฟืองใน (31) ยึดหัวจับดอกชนิดมีเฟืองใน (31) ด้วยสกรูยึด (30) กรุณาสังเกตว่าสกรูยึดมีเกลียวเกลียวชาย

การใส่หัวจับดอกชนิดมีเฟืองใน (รูปภาพประกอบ B)

- ทำความสะอาดปลายก้านติดตั้ง และเคลือบจาระบีบางๆ
- จับหัวจับดอกชนิดมีเฟืองในพร้อมก้านติดตั้งหมุนใส่ในด้ามจับเครื่องมือจนเขาล็อคโดยอัตโนมัติ
- ดึงหัวจับดอกชนิดมีเฟืองในเพื่อตรวจสอบการล็อค

การถอดหัวจับดอกชนิดมีเฟืองใน

- ดันปลอกสำหรับล็อค (5) ไปด้านหลัง และดึงหัวจับดอกชนิดมีเฟืองใน (31) ออก

การถอด/การใส่หัวจับดอกชนิดเปลี่ยนเร็ว

GBH 18V-28 CF

การถอดหัวจับดอกแบบเปลี่ยนเร็ว (รูปภาพประกอบ C)

- ดึงแหวนล็อคสำหรับหัวจับดอกแบบเปลี่ยนเร็ว (6) ไปด้านหลัง จับแหวนล็อคให้อยู่ในตำแหน่งนี้ และดึงหัวจับดอกแบบเปลี่ยนเร็ว SDS-plus (2) หรือหัวจับดอกแบบเปลี่ยนเร็วหนีบเร็ว (1) ออกจากด้านหน้า
- เมื่อถอดออกแล้ว ต้องป้องกันหัวจับดอกไม่ให้เบียดสกปรก

การใส่หัวจับดอกแบบเปลี่ยนเร็ว (รูปภาพประกอบ D)

- ▶ ใช้เฉพาะอุปกรณ์ที่เป็นของแท้เท่านั้น และตรวจสอบจำนวนร่องเอกลักษณ์ (34) อนุญาตให้เปลี่ยนเฉพาะหัวจับดอกที่มีสองหรือสามร่องเอกลักษณ์เท่านั้น หากไม่สามารถเปลี่ยนหัวจับดอกที่เหมาะสมได้สำหรับเครื่องมือไฟฟ้านี้ เครื่องมือที่เข้าอาจล้มเหลวในระหว่างการดำเนินการ
- ทำความสะอาดหัวจับดอกก่อนใส่ และเคลือบจาระบีบางๆ ที่ปลายก้าน
- จับหัวจับดอก SDS-plus (2) หรือหัวจับดอกชนิดเปลี่ยนเร็ว (1) เต็มๆ มือ ดันหัวจับดอกหมุนใส่บนขอรันหัวจับดอก (33) จนได้ยินเสียงขบเขาล็อคอย่างชัดเจน
- หัวจับดอกจะล็อคโดยอัตโนมัติ ดึงหัวจับดอกเพื่อตรวจสอบการล็อค

การเปลี่ยนเครื่องมือ

ฝาครอบกันฝุ่น (4) ส่วนใหญ่จะป้องกันไม่ให้อันที่ติดจากการเจาะหลุดเข้าไปในด้ามจับเครื่องมือในระหว่างการใช้งาน เมื่อใส่เครื่องมือต้องระวังอย่าให้ฝาครอบกันฝุ่น (4) เสียหาย

- ▶ **ต้องเปลี่ยนฝาครอบกันฝุ่นที่ชำรุดโดยทันที**
เราขอแนะนำว่า ควรส่งให้ศูนย์บริการหลังการขายเปลี่ยนให้

การเปลี่ยนเครื่องมือ (SDS-plus)

การใส่เครื่องมือ SDS plus (ดูภาพประกอบ E)

หัวจับดอก SDS-plus ทำให้เปลี่ยนเครื่องมือได้ง่ายและสะดวกโดยไม่ต้องใช้เครื่องมืออื่นๆ ช่วย

- GBH 18V-28 CF: ใส่หัวจับดอก SDS-plus (2)
- ทำความสะอาดและทาจาระบีต่างๆ ที่ปลายก้านเครื่องมือ
- จับเครื่องมือหมุนใส่ในตามจับเครื่องมือจนเขาล็อคโดยอัตโนมัติ
- ดึงเครื่องมือเพื่อตรวจสอบการล็อค

ตามเงื่อนไขของระบบ เครื่องมือ SDS-plus สามารถเคลื่อนไหวได้อย่างอิสระ ดังนั้นเมื่อเดินตัวเปล่า เครื่องมือจะวิ่งสายจากแนวรัศมี ซึ่งจะไม่มีผลต่อความเที่ยงตรงของรูเจาะ ดอกสว่านจะตั้งตัวให้อยู่ตรงกลางเองระหว่างการเจาะ

การถอดเครื่องมือ SDS-plus (ดูภาพประกอบ F)

- ดันปลอกสำหรับล็อค (5) ไปด้านหลังและถอดเครื่องมือออก

การเปลี่ยนเครื่องมือหัวจับดอกชนิดมีเฟืองใน

GBH 18V-28 C

การใส่เครื่องมือ (ดูภาพประกอบ G)

หมายเหตุ: อย่าใช้เครื่องมือที่ไม่มี SDS-plus สำหรับเจาะดอกหรือสกัด! เครื่องมือที่ไม่มี SDS-plus และหัวจับดอกของเครื่องมืออาจชำรุดจากการเจาะดอกหรือสกัด

- ใส่หัวจับดอกชนิดมีเฟืองใน (31)
- เปิดหัวจับดอกชนิดมีเฟืองใน (31) โดยการหมุนจนสามารถใส่เครื่องมือได้ ใส่เครื่องมือ
- สอดประแจหัวจับดอก (35) เข้าในรูที่ลอรอยกันบนหัวจับดอกชนิดมีเฟืองใน (31) และหนีบเครื่องมือเข้าเสมอกัน
- หมุนสวิตช์หยุดกระแส/หยุดหมุน (17) ไปที่ตำแหน่ง "การเจาะ"

การถอดเครื่องมือ (ดูภาพประกอบ H)

- หมุนปลอกของหัวจับดอกชนิดมีเฟืองใน (31) ด้วยประแจหัวจับดอก (35) ไปในทิศทางวนเข็มนาฬิกาจนสามารถถอดเครื่องมือออกมาได้

การเปลี่ยนเครื่องมือหัวจับดอกชนิดเปลี่ยนเร็ว

GBH 18V-28 CF

การใส่เครื่องมือ (ดูภาพประกอบ I)

หมายเหตุ: อย่าใช้เครื่องมือที่ไม่มี SDS-plus สำหรับเจาะดอกหรือสกัด! เครื่องมือที่ไม่มี SDS-plus และหัวจับดอกของเครื่องมืออาจชำรุดจากการเจาะดอกหรือสกัด

- ใส่หัวจับดอกชนิดเปลี่ยนเร็ว (1)
- จับแหวนยึด (37) ของหัวจับดอกแบบเปลี่ยนเร็วหนีบเร็วให้แน่น เปิดตามจับเครื่องมือโดยหมุนปลอกหนา (36) จนสามารถใส่เครื่องมือเข้าไปได้ จับแหวนยึด (37) ให้แน่น

และหมุนปลอกหนา (36) ไปในทิศทางลูกศรจนได้ยินเสียงขบเขาล็อคอย่างชัดเจน

- ดึงเครื่องมือเพื่อตรวจสอบการเข้าในตำแหน่งอย่างแน่นหนา

หมายเหตุ: หากตามจับเครื่องมือถูกเปิดออกจนสุด อาจได้ยินเสียงขบเขาล็อคขณะหมุนตามจับเครื่องมือให้ปิด และตามจับเครื่องมือไม่ปิดลง

ในกรณีนี้ให้หมุนปลอกหนา ไปในทิศทางตรงข้ามเข็มนาฬิกาหนึ่งครั้งจากนั้นตามจับเครื่องมือจะสามารถปิดได้

- หมุนสวิตช์หยุดกระแส/หยุดหมุน (17) ไปที่ตำแหน่ง "การเจาะ"

การถอดเครื่องมือ (ดูภาพประกอบ J)

- จับแหวนยึด (37) ของหัวจับดอกแบบเปลี่ยนเร็วหนีบเร็วให้แน่น เปิดตามจับเครื่องมือโดยหมุนปลอกหนา (36) ไปในทิศทางลูกศรจนสามารถถอดเครื่องมือออกมาได้

การดูดฝุ่น/ซีลื้อย

ฝุ่นที่ได้จากวัสดุ เช่น เคลือบผิวที่มีสารตะกั่ว ไม้ยางประเภทเรอราด และโลหะ อาจเป็นอันตรายต่อสุขภาพ การสัมผัสหรือการหายใจเอาฝุ่นเข้าไปอาจทำให้เกิดปฏิกิริยาแพ้ฝุ่น และ/หรือนำมาซึ่งโรคติดเชื้อระบบหายใจแก่ผู้ใช้เครื่องมือหรือผู้ที่ยืนอยู่ใกล้เคียง

ฝุ่นบางประเภท เช่น ฝุ่นไม้โอ๊ก หรือไม้บีช นับเป็นสารที่ทำให้เกิดมะเร็ง โดยเฉพาะอย่างยิ่งเมื่อผสมกับสารเติมแต่งเพื่อบำบัดไม้ (โครเมต ผลิตภัณฑ์รักษาเนื้อไม้) สำหรับวัสดุที่มีแอสเบสเทสต้องให้ผู้เชี่ยวชาญทำงานเท่านั้น

- ใช้ระบบดูดฝุ่นออกที่เหมาะสมกับประเภทวัสดุ มากเท่าที่จะทำได้
- จัดสถานที่ทำงานให้มีการระบายอากาศที่ดี
- ขอแนะนำให้สวมหน้ากากป้องกันการติดเชื้อที่มีระดับ-ใส่กรอง P2

ปฏิบัติตามกฎข้อบังคับสำคัญอื่นๆ ที่เกี่ยวกับวัสดุชิ้นงานที่ยังคงใช้ในประเทศของท่าน

▶ ป้องกันการสะสมของฝุ่นในสถานที่ทำงาน

ฝุ่นสามารถถูกใหม่อย่างง่ายดาย

การดูดฝุ่นด้วย GDE 18V-16 (อุปกรณ์เสริม) (ดูภาพประกอบ K)

สำหรับการดูดฝุ่นคอนกรีตและหิน ต้องใช้อุปกรณ์สำหรับดูด GDE 18V-16 (อุปกรณ์เสริม)

ระบบดูดฝุ่นนี้ไม่เหมาะสำหรับฝุ่นจากไม้ โลหะ และพลาสติก รวมทั้งฝุ่นที่เป็นอันตรายต่อสุขภาพ (ต. ย. เช่น แอสเบสเทส)

การปฏิบัติงาน

การเริ่มต้นปฏิบัติงาน


- ▶ ตรวจสอบให้แน่ใจว่าฝาครอบ (15) ของ Bluetooth® Low Energy Module GCY 42 ถูกปิดระหว่างการใช้งาน ทั้งนี้เพื่อป้องกันไม่ให้ฝุ่นเข้า


การตั้งโหมดทำงาน


ท่านสามารถเลือกโหมดทำงานของเครื่องมือไฟฟ้าด้วยสวิตช์หยุดกระแส/หยุดหมุน (17)


- เมื่อต้องการเปลี่ยนโหมดทำงาน ให้กดปุ่มปลดล็อก (16) และหมุนสวิตช์หยุดกระแส/หยุดหมุน (17) ไปยังตำแหน่งที่ต้องการจนได้ยินเสียงเขาล็อค

หมายเหตุ: เปลี่ยนโหมดทำงานเฉพาะเมื่อเครื่องมือไฟฟ้าปิดสวิตช์อยู่เท่านั้น! มิฉะนั้นเครื่องมือไฟฟ้าอาจชำรุดได้

 ตำแหน่งสำหรับ การเจาะตอก ในคอนกรีตหรือหิน

 ตำแหน่งสำหรับ การเจาะ โดยไม่กระแส/แรงในไม้ โลหะ เซรามิก และพลาสติก รวมทั้งการขัน การขันสกรู

 ตำแหน่ง Vario-Lock สำหรับปรับตำแหน่ง สกัด สวิตช์หยุดกระแส/หยุดหมุน (17) จะไม่ล็อคในตำแหน่งนี้

 ตำแหน่งสำหรับ การสกัด

การกลับทิศทางการหมุน

ท่านสามารถใช้สวิตช์เปลี่ยนทิศทางการหมุน (10) เพื่อเปลี่ยนทิศทางการหมุนของเครื่องมือไฟฟ้า อย่างไรก็ตามหากสวิตช์เปิด-ปิด (12) ถูกกดอยู่จะไม่สามารถเปลี่ยนทิศทางการหมุน

- ▶ หมุนสวิตช์เปลี่ยนทิศทางการหมุน (10) เมื่อเครื่องหยุดนิ่งอยู่กับที่เท่านั้น

ตั้งทิศทางการหมุนสำหรับการเจาะตอก การเจาะ และการสกัด ไว้ที่การหมุนทางขวาเสมอ

- การหมุนทางขวา: สำหรับการเจาะและการขันสกรูเข้าให้ กดสวิตช์เปลี่ยนทิศทางการหมุน (10) ไปทางซ้ายจนสุด

ไฟแสดงสถานะ

ไฟแสดงสถานะการชาร์จ แบตเตอรี่ (user interface) (22)	ความหมาย/สาเหตุ	วิธีแก้ปัญหา
สีเขียว (2 ถึง 5 แถบ)	ชาร์จแบตเตอรี่แล้ว	-

- การหมุนทางซ้าย: สำหรับคลายหรือขันสกรูและน็อตออก ให้กดสวิตช์เปลี่ยนทิศทางการหมุน (10) ไปทางขวาจนสุด

หมายเหตุ: หากทิศทางการหมุนของสวิตช์อยู่ที่ตำแหน่งตรงกลาง สวิตช์เปิด-ปิดจะถูกปิดกั้น

การเปิด-ปิดเครื่อง

- เปิดสวิตช์ เครื่องมือไฟฟ้าโดยกดสวิตช์เปิด-ปิด (12) ไฟล่องบริเวณทำงาน (18) จะส่องสว่างเมื่อกดสวิตช์เปิด-ปิด (12) เบาๆ หรือเต็มที่ และช่วยเพิ่มความสว่างในบริเวณทำงานภายใต้สภาพแสงที่ไม่เอื้ออำนวย

เมื่อเปิดเครื่องมือไฟฟ้าเป็นครั้งแรกอาจเกิดความล่าช้าในการเริ่มต้นเนื่องจากอุปกรณ์อิเล็กทรอนิกส์ของเครื่องมือไฟฟ้าต้องได้รับการกำหนดค่าก่อน

หากเครื่องทำงานภายใต้อุณหภูมิต่ำ เครื่องจะเริ่มตอก/กระแส/แรงเต็มที่หลังจากเปิดเครื่องทำงานระยะหนึ่งแล้วเท่านั้น

- เมื่อต้องการปิดสวิตช์เครื่องมือไฟฟ้าให้ปล่อยนิ้วจากสวิตช์เปิด-ปิด (12)

การตั้งอัตราความเร็ว/อัตรากระแส

ท่านสามารถปรับอัตราความเร็ว/อัตรากระแสของเครื่องมือไฟฟ้าที่เปิดสวิตช์ทำงานได้อย่างต่อเนื่อง ทั้งนี้ขึ้นอยู่กับแรงที่กดลงบนสวิตช์เปิด-ปิด (12)

กดสวิตช์เปิด-ปิด (12) เบาๆ จะได้อัตราความเร็ว/อัตรากระแสต่ำ กดสวิตช์แรงยิ่งขึ้นจะได้อัตราความเร็ว/อัตรากระแสเพิ่มขึ้น

ท่านสามารถควบคุมอัตราความเร็วได้ที่ อินเทอร์เน็ตผู้ใช้ หรือผ่าน App บนสมาร์ตโฟน

การเปลี่ยนตำแหน่งสกัด (Vario-Lock)

ท่านสามารถล็อคคอคอดสกัดได้ 40 ตำแหน่ง ในลักษณะนี้ท่านสามารถตั้งทำงานได้เหมาะสมที่สุดสำหรับแต่ละรูปแบบการทำงาน

- ใส่คอคอดสกัดเข้าในด้ามจับเครื่องมือ
- หมุนสวิตช์หยุดกระแส/หยุดหมุน (17) ไปที่ตำแหน่ง "Vario-Lock"
- หมุนเครื่องมือไปยังตำแหน่งการสกัดที่ต้องการ
- หมุนสวิตช์หยุดกระแส/หยุดหมุน (17) ไปที่ตำแหน่ง "การสกัด" ด้วยวิธีนี้ตามจับเครื่องมือจะถูกล็อคไว้
- ตั้งทิศทางการหมุนสำหรับการสกัดไว้ที่การหมุนทางขวา

อินเทอร์เน็ตผู้ใช้ (ดูภาพประกอบ L)

อินเทอร์เน็ตผู้ใช้ (8) ใช้สำหรับเลือกโหมดงานและสำหรับแสดงสถานะของเครื่องมือไฟฟ้า

ไฟแสดงสถานะการชาร์จแบตเตอรี่ (user interface) (22)	ความหมาย/สาเหตุ	วิธีแก้ปัญหา
สีเขียว (1 แถบ)	แบตเตอรี่ใกล้หมด	เปลี่ยนหรือชาร์จแบตเตอรี่ในไม่ช้า
สีแดง (1 แถบ)	แบตเตอรี่หมดประจุ	เปลี่ยนหรือชาร์จแบตเตอรี่

ไฟแสดงสถานะเครื่องมือไฟฟ้า (29)	ความหมาย/สาเหตุ	วิธีแก้ปัญหา
สีเขียว	สถานะ OK	-
สีเขียว	อุณหภูมิถึงขั้นวิกฤติหรือแบตเตอรี่ใกล้หมด	ปล่อยให้เครื่องมือไฟฟ้าเย็นลง หรือเปลี่ยนหรือชาร์จแบตเตอรี่
สีแดง	เครื่องมือไฟฟ้าร้อนเกินไปหรือแบตเตอรี่หมดประจุ	ปล่อยให้เครื่องมือไฟฟ้าเย็นลง หรือเปลี่ยนหรือชาร์จแบตเตอรี่
สีแดง	มอเตอร์ติดขัด, แบตเตอรี่ร้อนเกินไป ความผิดพลาดทั่วไป	ชาร์จแบตเตอรี่หรือใช้แบตเตอรี่ชนิดที่แนะนำ - ปิดสวิตช์เครื่องมือไฟฟ้าและเปิดสวิตช์อีกครั้ง หรือถอดแบตเตอรี่ออกแล้วใส่กลับเข้าไปใหม่อีกครั้ง หากยังคงเปิดปัญหาอยู่: - ส่งเครื่องมือไฟฟ้าไปยังฝ่ายบริการลูกค้า
กะพริบสีแดง	การปิดระบบอย่างรวดเร็วถูกเรียกใช้งาน	ปิดสวิตช์เครื่องมือไฟฟ้าและเปิดสวิตช์อีกครั้ง
กะพริบสีฟ้า	เชื่อมต่อเครื่องมือไฟฟ้าผ่าน Bluetooth® เข้ากับอุปกรณ์เคลื่อนที่ปลายทาง หรือกำลังถ่ายโอนการตั้งค่า	-

ไอคอนสมาร์ตโฟน (28)	ความหมาย/สาเหตุ	วิธีแก้ปัญหา
สีขาว	มีข้อมูลสำคัญ (ต. ย. เช่น การแจ้งเตือน อุณหภูมิ)	อ่านข้อความบนสมาร์ตโฟน

การเลือกโหมดงาน

กดปุ่ม (26) ซ้ำๆ เพื่อเลือกโหมดงานจนโหมดงานที่ต้องการส่องสว่างขึ้น

หมายเหตุ: ในโหมดงาน **Favorite** ฟังก์ชันจะถูกกำหนดค่าผ่าน App บนสมาร์ตโฟน ในโหมดงาน **Auto** และ **Soft** ฟังก์ชันจะถูกตั้งไว้ล่วงหน้า

ไฟแสดงโหมดงาน (25)	ฟังก์ชัน
Auto ไอคอนกำลังไฟฟ้าสูงสุด (27) ส่องสว่าง	ในโหมดงาน Auto เครื่องมือไฟฟ้าถึงกำลังสูงสุดพร้อมความเร็วเริ่มต้น
Favorite ไอคอนตั้งค่าความเร็วผ่านแอปบนสมาร์ตโฟน (23) ส่องสว่าง	ในโหมดงาน Favorite สามารถกำหนดค่าพลังงานและความเร็วในการทำงานของเครื่องมือไฟฟ้าแยกกันได้โดยใช้แอปสมาร์ตโฟน
Soft ไอคอนกำลังไฟฟ้าลดลง (24) ส่องสว่าง	ในโหมดการทำงาน Soft กำลังไฟและความเร็วเริ่มต้นของเครื่องมือไฟฟ้าจะลดลง

ฟังก์ชันการเชื่อมต่อ

ข้อกำหนดของระบบสำหรับการใช้ App

ความต้องการของระบบ

อุปกรณ์เคลื่อนที่ปลาย (แท็บเล็ต สมาร์ทโฟน)	Android 6.0 (และสูงกว่า) iOS 11 (และสูงกว่า)
---	---

การติดตั้งและตั้งค่า App

เพื่อที่จะสามารถใช้ฟังก์ชัน Connectivity ได้ ก่อนอื่นคุณต้องติดตั้ง App ซึ่งขึ้นอยู่กับอุปกรณ์ปลายทาง

- ให้ดาวน์โหลด App ผ่าน App Store ที่สอดคล้องกัน (Apple App Store, Google Play Store)
- หมายเหตุ:** ท่านจำเป็นต้องมีบัญชีผู้ใช้ที่ AppStore นั้นๆ

ชื่อ App	iOS	Android
Bosch Toolbox		

- จากนั้น ใน App ให้เลือกรายการย่อย **MyTools** หรือ **Connectivity**.
- จอแสดงผลบนอุปกรณ์เคลื่อนที่ปลายทางของท่านจะแสดงขั้นตอนต่อไปทั้งหมดเกี่ยวกับการเชื่อมต่อเครื่องมือไฟฟ้ากับอุปกรณ์ปลายทาง

เมื่อใช้ร่วมกับ *Bluetooth® Low Energy Module GCY 42* จะมีฟังก์ชันการเชื่อมต่อต่อไปนี้พร้อม Bosch Toolbox App สำหรับเครื่องมือไฟฟ้า:

- การลงทะเบียน
- การปรับแต่งโหมดการทำงาน **Favorite** (กำลังไฟฟ้าและพฤติกรรมการทำงาน)
- การตั้งค่าเครื่องมือ (เช่น อายุการใช้งาน, การดูดฝุ่น, พารามิเตอร์ไฟทำงาน)
- การตรวจสอบสถานะและการส่งออกข้อความแจ้งเตือน
- ข้อมูลทั่วไป
- การจัดการ

สำหรับข้อมูลเพิ่มเติมเกี่ยวกับโมดูล *Bluetooth® Low Energy Module GCY 42* กรุณาอ่านหนังสือคู่มือการใช้งานที่เกี่ยวข้อง

ไอคอนสมาร์ทโฟน (28) จะส่องสว่างขึ้นเมื่อเครื่องมือไฟฟ้าส่งข้อมูล (เช่น การแจ้งเตือนอุณหภูมิ) ไปยังอุปกรณ์เคลื่อนที่ปลายทางผ่านเทคโนโลยีไร้สาย *Bluetooth®*

ปิดใช้งานฟังก์ชันการเชื่อมต่อ

- เครื่องมือไฟฟ้าที่มี *Bluetooth® Low Energy Module* ใส่อยู่จะมีการเชื่อมต่อสื่อสารแบบไร้สาย ฟังก์ชันนี้ถึงข้อจำกัดในการทำงานเฉพาะที่ ต. ย. เช่น ในเครื่องบิน หรือโรงพยาบาล

หมายเหตุ: สามารถปิดฝาครอบ (15) ได้แน่น เมื่อโมดูล *Bluetooth® Low Energy Module 42* และเซลล์ปุ่มอยู่ในเครื่องมือไฟฟ้าเท่านั้น

- ในการปิดใช้งาน โมดูล *Bluetooth® Low Energy Module* ให้หมุนเซลล์ปุ่มหรือใส่ฉนวนระหว่างเซลล์ปุ่มและโมดูล *Bluetooth® Low Energy*
- ปิดฝาครอบ (15) เพื่อป้องกันสิ่งสกปรก

ข้อแนะนำในการทำงาน

การปรับความลึกการเจาะ (ดูภาพประกอบ M)

ท่านสามารถใช้ก้านวัดความลึก (21) เพื่อตั้งความลึกการเจาะ **X** ที่ต้องการ

- กดปุ่มสำหรับปรับก้านวัดความลึก (19) และใส่ก้านวัดความลึกเข้าไปตามจับเพิ่ม (20) ต้องหันพื้นผิวที่เป็นร่องบนก้านวัดความลึก (21) ลงด้านล่าง
- ดันเครื่องมือ SDS-plus เข้าในด้ามจับเครื่องมือ SDS-plus (3) จนสุด หากเครื่องมือ SDS-plus เคลื่อนไหว อาจทำให้ปรับความลึกการเจาะได้ไม่ถูกต้อง
- ตั้งก้านวัดความลึกออกมาจนระยะห่างระหว่างปลายตอถสวนและปลายก้านวัดความลึกเท่ากับความลึกการเจาะที่ต้องการ **X**

คลัตช์ตัดการทำงานเกินกำลัง

- หากเครื่องมือที่ใส่อยู่เกิดขัดหรือติดแน่น แรงขับไปยังเพลาส่วนจะสะดุดหยุด เนื่องจากแรงบิดที่เกิดขึ้นต้องถือเครื่องมือไฟฟ้าให้แน่นด้วยมือทั้งสองข้างและหาที่ยืนที่มั่นคงเสมอ
- หากเครื่องมือไฟฟ้าติดขัด ให้ปิดสวิตช์เครื่องและปลดเครื่องมือที่ใส่อยู่ออก หากเปิดสวิตช์โดยที่เครื่องมือเจาะติดขัดอยู่ อาจเกิดแรงปฏิกิริยาบิดสูง

การปิดระบบอย่างรวดเร็ว (Kickback Control)



การปิดระบบอย่างรวดเร็ว (KickBack Control) ช่วยให้สามารถควบคุมเครื่องมือไฟฟ้าได้ดียิ่งขึ้นและปกป้องผู้ใช้งานยิ่งขึ้นเมื่อเทียบกับเครื่องมือไฟฟ้าที่ไม่มี KickBack Control เมื่อเครื่องมือไฟฟ้าหมุนรอบแกนส่วอย่างฉับพลันและไม่คาดคิด เครื่องมือไฟฟ้าจะปิดสวิตช์ไฟ แสดงการปิดเครื่องอย่างรวดเร็ว จะสว่างเป็นสีแดง และไฟแสดงการทำงาน (18) จะกะพริบ เมื่อการปิดระบบอย่างรวดเร็วเปิดใช้งาน ไฟแสดงสถานะ (29) จะกะพริบสีแดง

- เมื่อต้องการเริ่มต้นทำงานอีกครั้ง ให้ปล่อยนิ้วจากสวิตช์เปิด-ปิด (12) และกดสวิตช์อีกครั้ง

ตัวหน่วงการสั่นสะเทือน



ตัวหน่วงการสั่นสะเทือนเม็ดเสิร์จช่วยลดการสั่นสะเทือนที่เกิดขึ้น

- ▶ หากองค์ประกอบตัวหน่วงการสั่นสะเทือนชำรุดอย่าใช้เครื่องมือไฟฟ้าทำงานต่อไป

การใส่ดอกไขควง (ดูภาพประกอบ N)

- ▶ จับเครื่องมือไฟฟ้าเขานบนหัวสกรู/นอตเมื่อเครื่องปิดอยู่เท่านั้น เครื่องมือที่หมุนอยู่อาจลื่นไถล

เมื่อใช้ดอกไขควงทำงานต้องใช้ด้ามจับดอกทั่วไป (38) ที่มีกำหนดติดตั้ง SDS-plus (อุปกรณ์ประกอบ) รวมด้วย

- ทำความสะอาดปลายก้านติดตั้ง และเคลือบจาระบีบางๆ
- จับด้ามจับดอกทั่วไปหมุนใส่ในด้ามจับเครื่องมือจนเข้าล็อกโดยอัตโนมัติ
- ดึงด้ามจับดอกทั่วไปเพื่อตรวจสอบการล็อก
- ใส่ดอกไขควงเข้าในด้ามจับดอกทั่วไป ดอกไขควงที่มีขนาดพอดีกับหัวสกรูเท่านั้น
- เมื่อต้องการถอดด้ามจับดอกทั่วไปออกให้ดึงปลอกสำหรับล็อก (5) ไปด้วย และถอดด้ามจับดอกทั่วไป (38) ออกจากด้ามจับเครื่องมือ

การแขวนเครื่องมือไฟฟ้า (ดูภาพประกอบ O)

ท่านสามารถแขวนเครื่องมือไฟฟ้าไว้กับอุปกรณ์แขวนโดยใช้ตะขอแขวน (13)

- กดตะขอแขวน (13) ไปทางด้ามจับ (11) เพื่อคลายสลักล็อก ตะขอแขวนเลื่อนไปทางด้านหลังได้เอง
- หมุนตะขอแขวนไปทางด้านข้าง
- ตรวจสอบว่าตะขอแขวน (13) ความเสียหายหรือการเสียหายรูปทรง ห้ามใช้ตะขอแขวน (13) หากชำรุด ผิดรูป หรือติดตั้งไม่แน่นกับเครื่องมือไฟฟ้า
- แขวนเครื่องมือไฟฟ้าพร้อมตะขอแขวน (13) เข้ากับอุปกรณ์แขวนที่มั่นคง เพื่อหลีกเลี่ยงความเสียหายหรือการบาดเจ็บ ห้ามติดอุปกรณ์แขวนบนทางเท้าหรือพื้นที่ทำงาน ตะขอแขวนมีไว้สำหรับแขวนเครื่องมือไฟฟ้าพร้อมอุปกรณ์เสริมที่ติดตั้งไว้เท่านั้น
- หมุนตะขอแขวน (13) กลับและเลื่อนไปข้างหน้าและลงไปที่ตำแหน่งล็อกโดยใช้แรงกดเบาๆ ขณะใช้งานเครื่องมือไฟฟ้า

- ▶ ห้ามใช้ตะขอแขวน (13) เป็นอุปกรณ์ป้องกันการตกหล่น ห้ามยึดอุปกรณ์ป้องกันการตกหล่นที่ตะขอแขวน

การยึดอุปกรณ์ป้องกันการตกหล่น (ดูภาพประกอบ P)

หมายเหตุ: เพื่อป้องกันไม่ให้เครื่องมือไฟฟ้าตกลงมา ควรใช้อุปกรณ์ป้องกันการตกหล่น (40) ที่เหมาะสมกับน้ำหนักของระบบ ความยาวสูงสุดที่อนุญาตของอุปกรณ์ป้องกันการตกหล่น คือ 1,8 ม. จำเป็นต้องสังเกตบริเวณยึดที่อนุญาต (39) ที่เครื่องมือไฟฟ้า

ใช้เป็นอุปกรณ์ป้องกันการตกหล่นโดยที่ควรใช้สลิงแบบสายรัดที่ผูกไว้กับคันทันหรืออุปกรณ์ป้องกันการตกที่มีโซ่คล้อง ปฏิบัติตามคำแนะนำในการยึดอุปกรณ์ป้องกันการตกหล่น (40) ตามคู่มือการใช้งานนี้อย่างเคร่งครัด

- ▶ ตรวจสอบให้แน่ใจว่าได้ติดตั้งตรงข้ามของอุปกรณ์กันตกหล่นเข้ากับโครงสร้างที่มั่นคง (เช่น อาคารหรือนั่งร้าน) และห้ามติดยึดกับตัวผู้ใช้ อุปกรณ์ป้องกันการตกต้องสามารถเคลื่อนที่ได้อย่างอิสระ และสามารถติดเข้ากับจุดยึดแบบตายตัว (41) และในพื้นที่ยึดที่อนุญาต (39) บนเครื่องมือไฟฟ้าเท่านั้น

เลือกจุดยึดแบบตายตัว (41) เพื่อให้เครื่องมือไฟฟ้าสามารถตกลงสู่ระบบป้องกันการตกได้อย่างอิสระในกรณีที่เกิดการตกโดยไม่พันตัวผู้ใช้หรือเป็นอันตรายต่อผู้ใช้

ห้ามใช้ตะขอแขวน (13) เป็นอุปกรณ์ป้องกันการตกหล่น

ห้ามยึดอุปกรณ์ป้องกันการตกหล่นที่ตะขอแขวน ห้ามใช้อุปกรณ์ป้องกันการตกหล่นของเครื่องมือไฟฟ้ากับเครื่องแยกฝุ่นที่ติดตั้ง GDE 18V-16 หรือ GDE 16 Plus

การบำรุงรักษาและการบริการ

การบำรุงรักษาและการทำความสะอาด

- ▶ ถอดแบตเตอรี่ออกจากเครื่องมือไฟฟ้าก่อนทำการปรับแต่งใดๆ ที่เครื่องมือไฟฟ้า (ค. ย. เช่น บำรุงรักษา เปลี่ยนเครื่องมือ ฯลฯ) รวมทั้งเมื่อขนย้ายและเก็บรักษา อันตรายจากการบาดเจ็บหากสวิตช์เปิด-ปิดติดขึ้นอย่างไม่ตั้งใจ
- ▶ เพื่อให้ทำงานได้อย่างถูกต้องและปลอดภัย ต้องรักษาเครื่องและช่องระบายอากาศให้สะอาดอยู่เสมอ
- ▶ ต้องเปลี่ยนฝาครอบกันฝุ่นที่ชำรุดโดยทันที เราขอแนะนำว่าควรส่งให้ศูนย์บริการหลังการขายเปลี่ยนให้
- ทำความสะอาดตามจับเครื่องมือ (3) ทุกครั้งหลังใช้งาน

การบริการหลังการขายและการให้คำปรึกษาการใช้งาน

ศูนย์บริการหลังการขายของเรายินดีตอบคำถามของท่านที่เกี่ยวกับการบำรุงรักษาและการซ่อมแซมผลิตภัณฑ์รวมทั้งเรื่องอะไหล่ ภาพเขียนแบบการประกอบและข้อมูลเกี่ยวกับอะไหล่ กรุณาดูใน: www.bosch-pt.com

ที่มันงานที่ปรึกษาของ บอช ยินดีให้ข้อมูลเกี่ยวกับผลิตภัณฑ์ของเราและอุปกรณ์ประกอบต่างๆ

เมื่อต้องการสอบถามและสั่งซื้ออะไหล่ กรุณาแจ้งหมายเลขสินค้า 10 หลักบนแผนป้ายรุ่นของผลิตภัณฑ์ทุกครั้ง

ไทย

ไทย บริษัท โรเบิร์ต บอช จำกัด
 เอฟวายไอ เซ็นเตอร์ อาคาร 1 ชั้น 5
 เลขที่ 2525 ถนนพระราม 4
 แขวงคลองเตย เขตคลองเตย กรุงเทพฯ 10110
 โทร: +66 2012 8888
 แฟกซ์: +66 2064 5800
 www.bosch.co.th

ศูนย์บริการซ่อมและฝึกอบรม บอช
 อาคาร ลานชาลาทาวเวอร์ ชั้น G ห้องเลขที่ 2
 บ้านเลขที่ 10/11 หมู่ 16
 ถนนศรีนครินทร์ ตำบลบางแก้ว อำเภอบางพลี
 จังหวัดสมุทรปราการ 10540
 ประเทศไทย
 โทรศัพท์ 02 7587555
 โทรสาร 02 7587525

สามารถดูที่อยู่ศูนย์บริการอื่นๆ ได้ที่:

www.bosch-pt.com/serviceaddresses

การขนส่ง

แบตเตอรี่ลิเธียมไอออนที่แนะนำให้ใช้ อยู่ภายใต้ข้อกำหนดแห่งกฎหมายสินค้าอันตราย ผู้ใช้สามารถขนส่งแบตเตอรี่แพ็คโดยทางถนนโดยไม่มีข้อบังคับอื่นหากขนส่งโดยบุคคลที่สาม (เช่น : การขนส่งทางอากาศ หรือตัวแทนขนส่งสินค้า) ต้องปฏิบัติตามข้อกำหนดพิเศษเกี่ยวกับการบรรจุภัณฑ์และการติดฉลาก สำหรับการเตรียมสิ่งของที่จัดส่ง จำเป็นต้องปรึกษาผู้เชี่ยวชาญด้านวัตถุอันตราย ส่งแบตเตอรี่แพ็คเมื่อตัวหุ้มไม่ชำรุดเสียหายเท่านั้น ใช้แถบกาวพันปิดหน้าสัมผัสที่เปิดอยู่ และนำแบตเตอรี่แพ็คใส่กล่องบรรจุโดยไม่ให้เคลื่อนไปมาในกล่องได้ นอกจากนี้ กรุณาปฏิบัติตามกฎระเบียบของประเทศซึ่งอาจมีรายละเอียดเพิ่มเติม

การกำจัดขยะ



เครื่องมือไฟฟ้า แบตเตอรี่แพ็ค อุปกรณ์ประกอบ และหีบห่อ ต้องนำไปแยกประเภทวัสดุเพื่อนำกลับมาใช้ใหม่โดยไม่ทำลายสภาพแวดล้อม



อย่าทิ้งเครื่องมือไฟฟ้าและแบตเตอรี่แพ็ค/แบตเตอรี่ที่นำกลับมาชาร์จใหม่ได้ ลงในขยะบ้าน!

แบตเตอรี่แพ็ค/แบตเตอรี่:

ลิเธียม ไอออน:

กรุณาปฏิบัติตามคำแนะนำในบทการขนส่ง (ดู "การขนส่ง", หน้า 70)

Bahasa Indonesia

Petunjuk Keselamatan

Petunjuk keselamatan umum untuk perkakas listrik

PERINGATAN Baca semua peringatan, petunjuk, ilustrasi, dan spesifikasi

keselamatan yang diberikan bersama perkakas listrik ini. Kesalahan dalam menjalankan petunjuk di bawah ini dapat mengakibatkan sengatan listrik, kebakaran, dan/atau cedera serius.

Simpanlah semua peringatan dan petunjuk untuk penggunaan di masa mendatang.

Istilah "perkakas listrik" dalam peringatan mengacu pada perkakas listrik yang dioperasikan dengan listrik (menggunakan kabel) atau perkakas listrik yang dioperasikan dengan baterai (tanpa kabel).

Keamanan tempat kerja

- ▶ **Jaga kebersihan dan pencahayaan area kerja.** Area yang berantakan atau gelap dapat memicu kecelakaan.
- ▶ **Jangan mengoperasikan perkakas listrik di lingkungan yang dapat memicu ledakan, seperti adanya cairan, gas, atau debu yang mudah terbakar.** Perkakas listrik dapat memancarkan bunga api yang kemudian mengakibatkan debu atau uap terbakar.
- ▶ **Jauhkan dari jangkauan anak-anak dan pengamat saat mengoperasikan perkakas listrik.** Gangguan dapat menyebabkan hilangnya kendali.

Keamanan listrik

- ▶ **Steker perkakas listrik harus sesuai dengan stopkontak. Jangan pernah memodifikasi steker. Jangan menggunakan steker adaptor bersama dengan perkakas listrik yang terhubung dengan sistem grounding.** Steker yang tidak dimodifikasi dan stopkontak yang cocok akan mengurangi risiko sengatan listrik.
- ▶ **Hindari kontak badan dengan permukaan yang terhubung dengan sistem grounding, seperti pipa, radiator, kompor, dan lemari es.** Terdapat peningkatan

risiko terjadinya sengatan listrik jika badan Anda terhubung dengan sistem grounding.

- ▶ **Perkakas listrik tidak boleh terpapar hujan atau basah.** Air yang masuk ke dalam perkakas listrik menambah risiko terjadinya sengatan listrik.
- ▶ **Jangan menyalahgunakan kabel. Jangan gunakan kabel untuk membawa, menarik, atau melepas steker perkakas listrik. Jauhkan kabel dari panas, minyak, tepi yang tajam, atau komponen yang bergerak.** Kabel listrik yang rusak atau tersangkut menambah risiko terjadinya sengatan listrik.
- ▶ **Saat mengoperasikan perkakas listrik di luar ruangan, gunakan kabel ekstensi yang sesuai untuk penggunaan di luar ruangan.** Penggunaan kabel yang cocok untuk pemakaian di luar ruangan mengurangi risiko terjadinya sengatan listrik.
- ▶ **Jika perkakas listrik memang harus dioperasikan di tempat yang lembap, gunakan pemutus arus listrik residu (RCD).** Penggunaan RCD akan mengurangi risiko terjadinya sengatan listrik.

Keselamatan personel

- ▶ **Tetap waspada, perhatikan aktivitas yang sedang dikerjakan dan gunakan akal sehat saat mengoperasikan perkakas listrik. Jangan gunakan perkakas listrik saat mengalami kelelahan atau di bawah pengaruh narkoba, alkohol, atau obat-obatan.** Jika perkakas listrik dioperasikan dengan daya konsentrasi yang rendah, hal tersebut dapat menyebabkan cedera serius.
- ▶ **Gunakan peralatan pelindung diri. Selalu kenakan pelindung mata.** Penggunaan perlengkapan pelindung seperti penutup telinga, helm, sepatu anti licin, dan masker debu akan mengurangi cedera.
- ▶ **Hindari start yang tidak disengaja. Pastikan switch berada di posisi off sebelum perkakas listrik dihubungkan ke sumber daya listrik dan/atau baterai, diangkat, atau dibawa.** Membawa perkakas listrik dengan jari menempel pada tombol atau perkakas listrik dalam keadaan hidup dapat memicu kecelakaan.
- ▶ **Singkirkan kunci penyetel atau kunci pas sebelum menghidupkan perkakas listrik.** Perkakas atau kunci pas yang masih menempel pada komponen perkakas listrik yang berputar dapat menyebabkan cedera.
- ▶ **Jangan melampaui batas. Berdirilah secara mantap dan selalu jaga keseimbangan.** Hal ini akan memberikan kontrol yang lebih baik terhadap perkakas listrik pada situasi yang tak terduga.
- ▶ **Kenakan pakaian dengan wajar. Jangan mengenakan perhiasan atau pakaian yang longgar. Jauhkan rambut dan pakaian dari komponen yang bergerak.** Pakaian yang longgar, rambut panjang, atau perhiasan dapat tersangkut dalam komponen yang bergerak.
- ▶ **Jika disediakan perangkat untuk sambungan pengisapan debu dan alat pengumpulan, pastikan perangkat tersebut terhubung dan digunakan dengan**

benar. Penggunaan alat pengumpulan dapat mengurangi bahaya yang disebabkan oleh debu.

- ▶ **Jangan berpuas diri dan mengabaikan prinsip keselamatan karena terbiasa mengoperasikan perkakas.** Tindakan yang kurang hati-hati dapat mengakibatkan cedera serius dalam waktu sepersekian detik.

Penggunaan dan pemeliharaan perkakas listrik

- ▶ **Jangan memaksakan perkakas listrik. Gunakan perkakas listrik yang sesuai untuk pekerjaan yang dilakukan.** Perkakas listrik yang sesuai akan bekerja dengan lebih baik dan aman sesuai tujuan penggunaan.
- ▶ **Jangan gunakan perkakas listrik dengan switch yang tidak dapat dioperasikan.** Perkakas listrik yang switchnya yang tidak berfungsi dapat menimbulkan bahaya dan harus diperbaiki.
- ▶ **Lepaskan steker dari sumber listrik dan/atau lepas baterai, jika dapat dilepaskan dari perkakas listrik sebelum menyetel, mengganti aksesoris, atau menyimpan perkakas listrik.** Tindakan preventif akan mengurangi risiko menghidupkan perkakas listrik secara tidak disengaja.
- ▶ **Jauhkan dan simpan perkakas listrik dari jangkauan anak-anak dan jangan biarkan orang-orang yang tidak mengetahui cara menggunakan perkakas listrik, mengoperasikan perkakas listrik.** Perkakas listrik dapat membahayakan jika digunakan oleh orang-orang yang tidak terlatih.
- ▶ **Lakukan pemeliharaan perkakas listrik dan aksesoris. Periksa komponen yang bergerak apabila tidak lurus atau terikat, kerusakan komponen, dan kondisi lain yang dapat mengganggu pengoperasian perkakas listrik. Apabila rusak, perbaiki perkakas listrik sebelum digunakan.** Kecelakaan sering terjadi karena perkakas listrik tidak dirawat dengan baik.
- ▶ **Jaga ketajaman dan kebersihan alat.** Alat pemotong dengan pisau pemotong yang tajam dan dirawat dengan baik tidak akan mudah tersangkut dan lebih mudah dikendalikan.
- ▶ **Gunakan perkakas listrik, aksesoris, dan komponen perkakas dll sesuai dengan petunjuk ini, dengan mempertimbangkan kondisi kerja dan pekerjaan yang akan dilakukan.** Penggunaan perkakas listrik untuk tujuan berbeda dari fungsinya dapat menyebabkan situasi yang berbahaya.
- ▶ **Jaga gagang dan permukaan genggam agar tetap kering, bersih, dan bebas dari minyak dan lemak.** Gagang dan permukaan genggam yang licin tidak menjamin keamanan kerja dan kontrol alat yang baik pada situasi yang tidak terduga.

Penggunaan dan pemeliharaan perkakas baterai

- ▶ **Isi ulang daya hanya dengan pengisi daya yang ditentukan oleh produsen.** Pengisi daya yang sesuai untuk satu jenis set baterai dapat menyebabkan risiko kebakaran apabila digunakan dengan set baterai lain.

- ▶ **Hanya gunakan perkakas listrik dengan set baterai yang dirancang khusus.** Penggunaan set baterai lain dapat menyebabkan risiko cedera dan kebakaran.
- ▶ **Apabila set baterai tidak digunakan, jauhkan dari benda logam lainnya, seperti klip kertas, koin, kunci, paku, sekrup, atau benda logam kecil lainnya yang dapat membuat sambungan dari satu terminal ke terminal lainnya.** Memendekkan terminal baterai dapat menyebabkan kebakaran atau api.
- ▶ **Cairan dapat keluar dari baterai jika baterai tidak digunakan dengan benar; hindari kontak. Jika terjadi kontak secara tidak disengaja, bilas dengan air. Jika cairan mengenai mata, segera hubungi bantuan medis.** Cairan yang keluar dari baterai dapat menyebabkan iritasi atau luka bakar.
- ▶ **Jangan gunakan set baterai atau perkakas yang rusak atau telah dimodifikasi.** Baterai yang rusak atau telah dimodifikasi dapat menimbulkan kejadian yang tak terduga seperti kebakaran, ledakan, atau risiko cedera.
- ▶ **Jangan meletakkan set baterai atau perkakas di dekat api atau suhu tinggi.** Paparan terhadap api atau suhu di atas 130 °C dapat memicu ledakan.
- ▶ **Ikuti semua petunjuk pengisian daya dan jangan mengisi daya set baterai atau perkakas di luar rentang suhu yang ditentukan dalam petunjuk.** Pengisian daya yang tidak tepat atau di luar rentang suhu yang ditentukan dapat merusak baterai dan meningkatkan risiko kebakaran.

Servis

- ▶ **Minta teknisi berkualifikasi untuk servis perkakas listrik dengan hanya menggunakan suku cadang yang identik.** Dengan demikian, hal ini akan memastikan keamanan perkakas listrik.
- ▶ **Jangan pernah melakukan servis pada baterai yang telah rusak.** Servis baterai hanya boleh dilakukan oleh produsen atau penyedia servis resmi.

Petunjuk keselamatan untuk hammer

Petunjuk keselamatan untuk semua pengoperasian

- ▶ **Kenakan sumbat telinga.** Suara bising alat dapat menyebabkan berkurangnya pendengaran.
- ▶ **Gunakan handle tambahan, jika tersedia.** Kehilangan kendali dapat menyebabkan cedera.
- ▶ **Pegang perkakas listrik pada permukaan gagang isolator saat digunakan, karena aksesori pemotong atau alat pengencang dapat saja bersentuhan dengan kabel yang tidak terlihat.** Aksesori pemotong dan alat pengencang yang bersentuhan dengan kabel yang dialiri listrik dapat menyebabkan terbukanya bagian logam dari alat yang dialiri listrik sehingga berisiko mengakibatkan sengatan listrik pada operator.

Petunjuk keselamatan saat menggunakan mata bor panjang dengan rotary hammer

- ▶ **Selalu hidupkan alat bor pada kecepatan rendah dengan ujung mata bor menyentuh benda kerja.** Pada

kecepatan yang tinggi, mata bor akan membengkok jika berputar secara bebas tanpa menyentuh benda kerja dan dapat menyebabkan cedera terhadap pengguna.

- ▶ **Tekan hanya pada garis langsung dengan mata bor dan jangan tekan secara berlebihan.** Mata bor dapat membengkok dan menyebabkan kerusakan atau hilang kendali sehingga menyebabkan cedera terhadap pengguna.

Petunjuk keselamatan tambahan

- ▶ **Gunakanlah alat detektor logam yang cocok untuk mencari kabel dan pipa yang tidak terlihat atau hubungi perusahaan pengadaan setempat.** Sentuhan dengan kabel-kabel listrik dapat mengakibatkan api dan kontak listrik. Pipa gas yang rusak dapat mengakibatkan ledakan. Pipa air yang rusak mengakibatkan barang-barang menjadi rusak.
- ▶ **Sebelum meletakkan perkakas listrik, tunggulah hingga perkakas berhenti berputar.** Alat kerja dapat tersangkut dan menyebabkan perkakas listrik tidak dapat dikendalikan.
- ▶ **Gunakan alat kerja dengan aman.** Benda yang ditahan dalam alat pemegang atau bais lebih aman daripada benda yang dipegang dengan tangan.
- ▶ **Asap dapat keluar apabila terjadi kerusakan atau penggunaan yang tidak tepat pada baterai. Baterai dapat terbakar atau meledak.** Biarkan udara segar mengalir masuk dan kunjungi dokter apabila mengalami gangguan kesehatan. Asap tersebut dapat mengganggu saluran pernafasan.
- ▶ **Jangan membuka baterai.** Ada bahaya terjadinya korsleting.
- ▶ **Baterai dapat rusak akibat benda-benda lancip, seperti jarum, obeng, atau tekanan keras dari luar.** Hal ini dapat menyebabkan terjadinya hubungan singkat internal dan baterai dapat terbakar, berasap, meledak, atau mengalami panas berlebih.
- ▶ **Hanya gunakan baterai pada produk dari produsen.** Hanya dengan cara ini, baterai dapat terlindung dari kelebihan muatan.



Lindungi baterai dari panas, misalnya juga dari paparan sinar matahari dalam waktu yang lama, api, kotoran, air dan kelembapan. Terdapat risiko ledakan dan korsleting.

- ▶ **Jangan menyentuh alat sisipan atau bagian housing yang berdekatan sesaat setelah pengoperasian.** Alat sisipan atau housing tersebut dapat menjadi sangat panas selama pengoperasian sehingga menyebabkan luka bakar.
- ▶ **Alat sisipan dapat terhenti saat pengeboran. Pegang erat perkakas listrik dengan kedua tangan dan pastikan Anda berdiri di posisi yang aman.** Jika tidak, Anda dapat kehilangan kendali atas perkakas listrik.
- ▶ **Berhati-hatilah saat menghancurkan suatu objek dengan pahat.** Serpihan-serpihan yang jatuh dari

material yang dihancurkan dapat mencederaikan Anda atau orang di sekitar Anda.

- ▶ **Pegang erat perkakas listrik dengan kedua tangan selama mengoperasikannya dan pastikan Anda berdiri di posisi aman.** Gunakan perkakas listrik dengan kedua tangan secara hati-hati.
- ▶ **Waspada! Ketika menggunakan perkakas listrik dengan Bluetooth[®], gangguan dapat muncul pada perangkat dan instalasi lain, pesawat terbang, dan perangkat medis (misalnya alat pacu jantung, alat bantu dengar).** Selain itu, cedera pada manusia dan binatang di area sekitar tidak dapat seluruhnya dihindari. Jangan menggunakan alat pengukur dengan Bluetooth[®] di dekat perangkat medis, pusat pengisian bahan bakar, instalasi kimia, area dengan bahaya ledakan, dan percikan api. Jangan menggunakan perkakas listrik dengan Bluetooth[®] di dalam pesawat terbang. Hindari pengoperasian di dekat kepala secara langsung dalam waktu yang lama.

Istilah merek Bluetooth[®] serta gambar simbol (logo) merupakan merek dagang terdaftar dan kepemilikan dari Bluetooth SIG, Inc. Setiap penggunaan istilah merek/gambar simbol ini berada di bawah lisensi Robert Bosch Power Tools GmbH.

Spesifikasi produk dan performa



Bacalah semua petunjuk keselamatan dan petunjuk penggunaan. Kesalahan dalam menjalankan petunjuk keselamatan dan petunjuk penggunaan dapat mengakibatkan kontak listrik, kebakaran, dan/atau luka-luka yang berat.

Perhatikan ilustrasi yang terdapat pada sisi sampul panduan pengoperasian.

Tujuan penggunaan

Perkakas listrik ini cocok untuk pengeboran benda keras pada beton, batu bata dan batu-batuan serta untuk pekerjaan memahat yang ringan. Perkakas listrik juga cocok untuk mengebor tanpa getaran pada kayu, logam, keramik dan bahan sintesis. Perkakas listrik dengan penyetelan elektronik dan arah putaran ke kanan/kiri juga cocok untuk menyekrup.

Data dan pengaturan perkakas listrik dapat dikirimkan menggunakan modul Bluetooth[®] Low Energy **GCY 42** yang terpasang dengan menggunakan teknologi nirkabel Bluetooth[®] antara perkakas listrik dan perangkat seluler.

Ilustrasi komponen

Penomoran ilustrasi komponen mengacu pada gambar perkakas listrik pada halaman grafis.

- (1) Chuck bor penggantian cepat (**GBH 18V-28 CF**)
- (2) Chuck bor penggantian SDS plus (**GBH 18V-28 CF**)
- (3) Dudukan alat kerja SDS plus

- (4) Kap pelindung debu
- (5) Selongsong pengunci
- (6) Ring pengunci chuck bor penggantian (**GBH 18V-28 CF**)
- (7) Peredaman getaran
- (8) Antarmuka pengguna
- (9) Tombol pelepas baterai^{a)}
- (10) Switch arah putaran
- (11) Handel (permukaan genggam berisolator)
- (12) Tombol on/off
- (13) Kait untuk menggantung
- (14) Baterai^{a)}
- (15) Penutup Bluetooth
- (16) Tombol pelepas kunci untuk switch getaran/penghenti putaran
- (17) Switch getaran/penghenti putaran
- (18) Lampu kerja
- (19) Tombol untuk pengaturan pembatas kedalaman
- (20) Gagang tambahan (permukaan genggam berisolator)
- (21) Pembatas kedalaman
- (22) Indikator level pengisian daya baterai (Antarmuka Pengguna)
- (23) Simbol konfigurasi kecepatan putaran pada aplikasi smartphone (Antarmuka Pengguna)
- (24) Simbol daya yang berkurang (Antarmuka Pengguna)
- (25) Indikator mode pengoperasian (Antarmuka Pengguna)
- (26) Tombol untuk memilih mode pengoperasian (Antarmuka Pengguna)
- (27) Simbol daya maksimal (Antarmuka Pengguna)
- (28) Simbol smartphone (Antarmuka Pengguna)
- (29) Indikator status perkakas listrik (Antarmuka Pengguna)
- (30) Sekrup pengunci untuk chuck bor bergerigi (**GBH 18V-28 C**)^{a)}
- (31) Chuck bor bergerigi (**GBH 18V-28 C**)^{a)}
- (32) Batang pemasang SDS plus untuk chuck bor (**GBH 18V-28 C**)^{a)}
- (33) Dudukan chuck bor (**GBH 18V-28 CF**)
- (34) Alur-alur penyalaras
- (35) Kunci chuck bor (**GBH 18V-28 C**)
- (36) Selongsong depan chuck bor penggantian cepat (**GBH 18V-28 CF**)
- (37) Ring penahan chuck bor penggantian cepat (**GBH 18V-28 CF**)
- (38) Holder universal dengan batang pemasang SDS plus^{a)}

(39) Area pemasangan alat pelindung jatuh pada perkakas listrik

(40) Alat pelindung jatuh^{b)}

(41) Titik pemasangan tetap alat pelindung jatuh^{b)}

a) Aksesori yang digambarkan atau yang dijelaskan tidak termasuk dalam lingkup pengiriman standar. Semua aksesori yang ada dapat ditemukan dalam program aksesori kami.

b) Aksesori yang digambarkan atau yang dijelaskan tidak termasuk dalam lingkup pengiriman dan bukan merupakan rangkaian aksesori Bosch.

Data teknis

Bor hammer berdaya baterai		GBH 18V-28 C	GBH 18V-28 CF
Nomor model		3 611 J20 0..	3 611 J21 0..
Kontrol kecepatan putaran		●	●
Penghenti putaran		●	●
Arah putaran ke kanan/kiri		●	●
Chuck bor penggantian		-	●
Tegangan nominal	V=	18	18
Tingkat getaran ^{A)}	min ⁻¹	0-4220	0-4220
Daya tiap getaran sesuai dengan EPTA-Procedure 05:2016	J	3,3	3,3
Kecepatan idle ^{A)}			
- Putaran ke kanan	min ⁻¹	0-950	0-950
- Putaran ke kiri	min ⁻¹	0-950	0-950
Dudukan alat kerja		SDS plus	SDS plus
Diameter leher spindel	mm	50	50
Diameter mata bor maks.:			
- Beton	mm	28	28
- Tembok (dengan mata bor pipa)	mm	82	82
- Baja	mm	13	13
- Kayu	mm	30	30
Berat tanpa baterai	kg	3,3	3,4
Berat sesuai dengan EPTA-Procedure 01:2014	kg	3,7-4,7	3,8-4,8
Panjang	mm	349	378
Tinggi	mm	225	225
Lebar	mm	92	92
Suhu sekitar yang direkomendasikan saat pengisian daya	°C	0 ... +35	0 ... +35
Suhu sekitar yang diizinkan saat pengoperasian ^{B)} dan saat penyimpanan	°C	-15 ... +50	-15 ... +50
Baterai yang kompatibel		GBA 18V... ProCORE18V...	GBA 18V... ProCORE18V...
Baterai yang direkomendasikan		GBA 18V... ≥5,0 Ah ProCORE18V... ≥4,0 Ah	GBA 18V... ≥5,0 Ah ProCORE18V... ≥4,0 Ah
Perangkat pengisi daya yang direkomendasikan		GAL 18... GAX 18... GAL 36...	GAL 18... GAX 18... GAL 36...

A) Diukur pada suhu 20-25 °C dengan baterai **ProCORE18V 4.0Ah**.

B) daya terbatas pada suhu < 0 °C

Nilai dapat berbeda-beda bergantung pada produk dan mungkin tunduk pada kondisi lingkungan serta penggunaan. Informasi lebih lanjut pada www.bosch-professional.com/wac.

Baterai

Bosch menjual perkakas listrik berdaya baterai bahkan tanpa baterai yang disertakan. Keterangan apakah lingkup pengiriman perkakas listrik termasuk dengan baterai dapat ditemukan di kemasan.

Mengisi daya baterai

- **Hanya gunakan pengisi daya yang tercantum pada data teknis.** Hanya pengisi daya ini yang sesuai dengan baterai li-ion yang digunakan pada perkakas listrik Anda.

Catatan: Baterai lithium-ion dikirim dalam keadaan terisi daya sebagian berdasarkan peraturan transportasi internasional. Untuk menjamin daya penuh dari baterai, isi daya baterai hingga penuh sebelum menggunakannya untuk pertama kali.

Memasang baterai



Masukkan baterai yang telah terisi daya ke dalam dudukan baterai hingga baterai terkunci.

Melepas baterai

Untuk melepas baterai, tekan tombol pelepas baterai dan keluarkan baterai. **Jangan melepas baterai dengan paksa.** Baterai memiliki 2 level penguncian untuk mencegah baterai terlepas saat tombol pelepas baterai ditekan secara tidak sengaja. Selama baterai terpasang di dalam perkakas listrik, baterai ditahan posisinya menggunakan pegas.

Indikator level pengisian daya baterai

LED berwarna hijau dari indikator level pengisian daya baterai menampilkan level pengisian daya baterai. Atas dasar keselamatan, permintaan level pengisian daya baterai hanya dapat dilakukan saat perkakas listrik dalam keadaan berhenti.

Tekan tombol indikator level pengisian daya baterai  atau  untuk menampilkan level pengisian baterai. Hal ini juga dapat dilakukan saat baterai dilepas.

Apabila LED tidak menyala setelah menekan tombol indikator level pengisian daya, terdapat kerusakan pada baterai dan baterai harus diganti.

Level pengisian daya baterai juga ditampilkan pada User Interface Display status.

Tipe baterai GBA 18V...



LED	Kapasitas
Lampu permanen hijau 3×	60–100%
Lampu permanen hijau 2×	30–60%
Lampu permanen hijau 1×	5–30%
Lampu berkedip hijau 1×	0–5%

Tipe baterai ProCORE18V...



LED	Kapasitas
Lampu permanen hijau 5×	80–100%
Lampu permanen hijau 4×	60–80%
Lampu permanen hijau 3×	40–60%
Lampu permanen hijau 2×	20–40%
Lampu permanen hijau 1×	5–20%
Lampu berkedip hijau 1×	0–5%

Petunjuk untuk penanganan baterai yang optimal

Lindungilah baterai dari kelembapan dan air.

Simpan baterai hanya pada rentang suhu antara –20 °C hingga 50 °C. Janganlah meletakkan baterai di dalam mobil, misalnya pada musim panas.

Bersihkan lubang ventilasi baterai dengan kuas yang lunak, bersih dan kering secara berkala.

Waktu pengoperasian yang berkurang secara signifikan setelah pengisian daya menunjukkan bahwa baterai telah habis dan perlu diganti.

Perhatikan petunjuk untuk membuang.

Pemasangan

- **Sebelum melakukan semua pekerjaan pada perkakas listrik (misalnya merawat, mengganti alat kerja, dsb.) serta selama transpor dan penyimpanan, keluarkanlah baterai dari perkakas listrik.** Terdapat risiko cedera apabila tombol untuk menghidupkan dan mematikan dioperasikan tanpa sengaja.

Memasang modul *Bluetooth*® Low Energy GCY 42 (aksesori)

Untuk informasi mengenai modul *Bluetooth*® Low Energy **GCY 42**, baca panduan pengoperasian terkait.

Gagang tambahan

- **Hanya gunakan perkakas listrik dengan gagang tambahan (20).**
- **Pastikan gagang tambahan selalu terpasang kuat.** Jika tidak, Anda dapat kehilangan kendali atas perkakas listrik saat bekerja.

Memutar gagang tambahan (lihat gambar A)

Gagang tambahan **(20)** dapat digerakkan ke arah mana pun untuk memungkinkan posisi kerja yang aman dan tidak melelahkan.

- Putar bagian bawah gagang tambahan **(20)** berlawanan arah jarum jam dan gerakkan gagang tambahan **(20)** ke posisi yang diinginkan. Setelah itu, putar dan kencangkan kembali bagian bawah gagang tambahan **(20)** searah jarum jam.

Pastikan tali pengencang gagang tambahan berada dalam alur yang tersedia di housing.

Memilih chuck bor dan perkakas

Untuk mengebor benda keras dan memahat, diperlukan perkakas SDS-plus yang dipasang ke dalam chuck bor SDS-plus.

Perkakas tanpa SDS-plus (misalnya bor dengan batang berbentuk silinder) digunakan untuk pengeboran tanpa getaran pada kayu, logam, keramik dan bahan sintesis serta untuk penyekrupan. Untuk perkakas ini, diperlukan chuck bor pengencangan cepat atau chuck bor bergigi.

Mengganti chuck bor

Memasang/melepas chuck bor bergigi

GBH 18V-28 C

Chuck bor yang sesuai (chuck bor bergigi atau chuck bor pengencangan cepat, aksesoris) harus dipasang agar dapat melakukan pengerjaan dengan alat kerja tanpa SDS-plus (misalnya chuck bor dengan batang berbentuk silinder).

Memasang chuck bor bergigi (lihat gambar B)

- Pasang batang pemasang SDS-plus (32) ke dalam chuck bor bergigi (31). Kencangkan chuck bor bergigi (31) dengan sekrup pengunci (30). **Perhatikan bahwa sekrup pengunci memiliki ulir yang berputar ke arah kiri.**

Memasang chuck bor bergigi (lihat gambar B)

- Bersihkan ujung batang pemasang dan lumasi dengan sedikit minyak.
- Pasang chuck bor bergigi dengan batang pemasang ke dalam dudukan perkakas dengan cara diputar hingga terkunci.
- Periksa penguncian dengan menarik chuck bor bergigi.

Melepaskan chuck bor bergigi

- Dorong selongsong pengunci (5) ke belakang dan lepaskan chuck bor bergigi (31).

Melepaskan/memasang chuck bor penggantian

GBH 18V-28 CF

Melepaskan chuck bor penggantian (lihat gambar C)

- Tarik ring pengunci chuck bor penggantian (6) ke belakang, tahan ring pengunci pada posisi ini dan tarik chuck bor penggantian SDS plus (2) atau chuck bor penggantian pengencangan cepat (1) ke depan hingga terlepas.
- Jaga kebersihan chuck bor penggantian setelah dilepaskan.

Memasang chuck bor penggantian (lihat gambar D)

- ▶ **Hanya gunakan peralatan original khusus dan perhatikan jumlah alur-alur pengenal (34). Hanya chuck bor penggantian dengan dua atau tiga alur-alur pengenal yang diperbolehkan.** Jika chuck bor penggantian tidak cocok untuk perkakas listrik yang digunakan, alat sisipan dapat terlepas saat perkakas dioperasikan.

- Bersihkan chuck bor penggantian sebelum dipasang dan lumasi ujungnya dengan sedikit minyak.
- Pegang chuck bor penggantian SDS-plus (2) atau chuck bor pengencangan cepat (1) dengan seluruh tangan. Dorong chuck bor penggantian dengan diputar ke dudukan chuck bor (33) hingga terdengar bunyi mengunci yang jelas.
- Chuck bor penggantian mengunci secara otomatis. Periksa penguncian dengan menarik chuck bor.

Mengganti perkakas

Tutup pelindung debu (4) mencegah masuknya debu pengeboran ke dalam dudukan alat kerja selama pengoperasian. Saat menggunakan perkakas, pastikan tutup pelindung debu (4) tidak rusak.

- ▶ **Tutup pelindung debu yang rusak harus segera diganti. Disarankan untuk melakukannya di layanan pelanggan Bosch.**

Mengganti perkakas (SDS plus)

Memasang alat sisipan SDS plus (lihat gambar E)

Dengan chuck bor SDS-plus, alat sisipan dapat diganti dengan mudah dan cepat tanpa menggunakan alat bantu.

- **GBH 18V-28 CF:** Pasang chuck bor penggantian SDS-plus (2).
- Bersihkan ujung alat sisipan dan lumasi dengan sedikit minyak.
- Pasang alat sisipan ke dalam dudukan alat kerja dengan diputar hingga terkunci dengan sendirinya.
- Periksa penguncian dengan menarik alat.

Alat sisipan SDS-plus harus dapat bergerak dengan bebas. Hal ini menimbulkan penyimpangan putaran sewaktu perkakas listrik berjalan pada kecepatan idle. Hal ini tidak memengaruhi ketepatan lubang bor karena mata bor memusatkan dengan sendirinya saat mengebor.

Melepaskan alat sisipan SDS plus (lihat gambar F)

- Dorong selongsong pengunci (5) ke belakang dan lepaskan alat sisipan.

Mengganti alat kerja chuck bor bergigi

GBH 18V-28 C

Memasang alat sisipan (lihat gambar G)

Catatan: Jangan menggunakan perkakas tanpa SDS plus untuk mengebor benda keras atau memahat! Perkakas tanpa SDS plus dan chuck bor akan menjadi rusak jika digunakan untuk mengebor benda keras dan memahat.

- Pasang chuck bor bergigi (31)
- Buka chuck bor bergigi (31) dengan memutarkannya hingga alat dapat dipasang. Pasang alat.
- Pasang kunci chuck bor (35) ke dalam lubang chuck bor bergigi (31) yang sesuai dan kencangkan alat dengan benar.
- Putar switch getaran/penghenti putaran (17) ke posisi „Pengeboran“.

Melepaskan alat sisipan (lihat gambar H)

- Putar selongsong chuck bor bergerigi **(31)** menggunakan kunci chuck bor **(35)** berlawanan arah jarum jam hingga alat sisipan dapat dilepas.

Mengganti alat kerja chuck bor penggantian cepat**GBH 18V-28 CF****Memasang alat sisipan (lihat gambar I)**

Catatan: Jangan menggunakan perkakas tanpa SDS plus untuk mengebor benda keras atau memahat! Perkakas tanpa SDS plus dan chuck bor akan menjadi rusak jika digunakan untuk mengebor benda keras dan memahat.

- Pasang chuck bor penggantian cepat **(1)**.
- Pegang ring penahan **(37)** chuck bor penggantian pengencangan cepat dengan kuat. Buka dudukan alat kerja dengan memutar selongsong depan **(36)** hingga alat kerja dapat dimasukkan. Pegang ring penahan **(37)** dengan kuat dan putar selongsong depan **(36)** dengan kuat sesuai arah panah hingga terdengar bunyi klik dengan jelas.
- Periksa kedudukannya dengan menarik alat.

Catatan: Jika dudukan alat kerja dibuka hingga maksimal, bunyi klik dapat terdengar saat menutup dudukan alat kerja dan dudukan alat kerja tidak akan menutup.

Pada situasi ini, putar selongsong depan satu kali berlawanan dengan arah jarum jam. Lalu, dudukan alat kerja akan dapat ditutup.

- Putar switch getaran/penghenti putaran **(17)** ke posisi „Pengeboran“.

Melepaskan alat sisipan (lihat gambar J)

- Pegang ring penahan **(37)** chuck bor penggantian pengencangan cepat dengan kuat. Buka dudukan alat kerja dengan memutar selongsong depan **(36)** sesuai arah panah hingga alat kerja dapat dilepaskan.

Pengisapan debu/serbuk

Debu dari bahan-bahan seperti cat yang mengandung timbal, beberapa jenis kayu, bahan mineral dan logam dapat berbahaya bagi kesehatan. Menyentuh atau menghirup debu tersebut dapat mengakibatkan reaksi alergi dan/atau penyakit saluran pernapasan bagi pengguna atau orang yang berada di dekatnya.

Beberapa debu tertentu seperti misalnya debu kayu pohon ek atau pohon fagus silvatica dianggap dapat mengakibatkan penyakit kanker, terutama dalam campuran dengan bahan-bahan tambahan untuk pengolahan kayu (kromat, obat pengawet kayu). Bahan-bahan yang mengandung asbestos hanya boleh dikerjakan oleh orang-orang yang ahli.

- Gunakanlah hanya pengisap debu yang cocok untuk mengisap bahan yang dikerjakan.
- Pastikan terdapat ventilasi udara yang baik di tempat kerja.
- Dianjurkan untuk memakai masker anti debu dengan filter kelas P2.

Taatilah peraturan-peraturan untuk bahan-bahan yang dikerjakan yang berlaku di negara Anda.

- ▶ **Hindari debu yang banyak terkumpul di tempat kerja.** Debu dapat tersulut dengan mudah.

Unit ekstraksi debu dengan GDE 18V-16 (aksesori) (lihat gambar K)

Perangkat pengisap GDE 18V-16 (aksesori) diperlukan sebagai unit ekstraksi serbuk beton dan besi. Sistem unit ekstraksi ini tidak cocok untuk serbuk kayu, logam dan bahan sintetis maupun serbuk yang membahayakan kesehatan (misalnya: serbuk asbestos).

Penggunaan**Pengoperasian pertama kali**

- ▶ Pastikan penutup modul **(15)** Bluetooth® Low Energy GCY 42 ditutup selama pengoperasian. Hal ini menghindari masuknya debu.

Mengatur mode pengoperasian

Pilih mode pengoperasian perkakas listrik menggunakan switch getaran/penghenti putaran **(17)**.

- Untuk mengganti mode pengoperasian, tekan tombol rilis **(16)** dan putar switch getaran/penghenti putaran **(17)** ke posisi yang diinginkan hingga switch terdengar mengunci.

Catatan: Hanya ubah mode pengoperasian saat perkakas listrik dimatikan! Jika tidak, perkakas listrik dapat rusak.

Posisi untuk **Pengeboran benda keras** pada beton atau batu

Posisi untuk **Pengeboran** tanpa getaran pada kayu, logam, keramik dan bahan sintetis serta untuk **Penyekrupan**

Posisi **Vario-Lock** untuk penyesuaian posisi pahat
Switch getaran/penghenti putaran **(17)** tidak mengunci pada posisi ini.

Posisi untuk **Pemahatan**

**Menyetel arah putaran**

Arah putaran perkakas listrik dapat diubah menggunakan switch arah putaran **(10)**. Namun, hal ini tidak dapat dilakukan jika tombol on/off **(12)** ditekan.

- ▶ **Tekan switch arah putaran (10) hanya saat perkakas listrik sedang tidak beroperasi.**

Selalu atur arah putaran ke kanan untuk mengebor benda keras, mengebor biasa dan memahat.

- **Putaran ke kanan:** Untuk mengebor dan menyekrup, tekan switch arah putaran **(10)** ke kiri hingga maksimal.
- **Putaran ke kiri:** Untuk mengendurkan atau melepas sekrup dan mur, tekan switch arah putaran **(10)** ke kanan hingga maksimal.

Catatan: Jika switch arah putaran berada di posisi tengah, tombol on/off terkunci.

Menyalakan/mematikan

- Untuk **menyalakan** perkakas listrik, tekan tombol on/off (12).

Lampu kerja (18) akan menyala saat tombol on/off (12) ditekan singkat atau ditekan kuat dan lampu kerja membantu menerangi area kerja saat kondisi cahaya minim.

Pada waktu menyalakan perkakas listrik untuk pertama kalinya, perkakas listrik dapat tidak langsung berjalan karena elektronika dari perkakas listrik harus melakukan konfigurasi terlebih dulu.

Pada suhu yang rendah perkakas listrik ini baru setelah lewat beberapa waktu mencapai daya kemampuan hamering/getaran penuh.

- Untuk **mematikan** perkakas listrik, lepaskan tombol on/off (12).

Mengatur kecepatan putaran/tingkat getaran

Kecepatan putaran/tingkat getaran dari perkakas listrik yang dihidupkan dapat diatur terus-menerus bergantung seberapa kuat tombol on/off (12) ditekan.

Display status

Indikator level pengisian daya baterai (User Interface) (22)	Arti/penyebab	Solusi
hijau (2 hingga 5 bar)	Baterai telah terisi daya	–
kuning (1 bar)	Baterai hampir kosong	Segera ganti atau isi daya baterai
merah (1 bar)	Baterai kosong	Ganti atau isi daya baterai

Display status perkakas listrik (29)	Arti/penyebab	Solusi
Hijau	Status OK	–
Kuning	Suhu kritis tercapai atau baterai hampir kosong	Biarkan perkakas listrik menjadi dingin atau ganti atau isi daya baterai
Merah	Perkakas listrik terlalu panas atau baterai kosong	Biarkan perkakas listrik menjadi dingin atau ganti atau isi daya baterai
Merah	Mesin terhenti, baterai terlalu lemah	Isi daya baterai atau gunakan jenis baterai yang direkomendasikan
	Gangguan umum	<ul style="list-style-type: none"> – Matikan atau hidupkan kembali perkakas listrik atau lepas baterai lalu pasang kembali <p>Jika gangguan berlanjut:</p> <ul style="list-style-type: none"> – Bawalah perkakas listrik ke layanan pelanggan
Berkedip merah	Penonaktifan cepat telah terpicu	Matikan dan hidupkan kembali perkakas listrik
Berkedip biru	Perkakas listrik terhubung ke perangkat seluler melalui <i>Bluetooth</i> atau pengaturan akan dikirimkan	–

Jika tombol on/off (12) ditekan singkat, kecepatan putaran/tingkat getaran akan menjadi rendah. Jika tombol ditekan kuat, kecepatan putaran/tingkat getaran akan bertambah.

Kecepatan putaran juga dapat diatur pada User Interface atau aplikasi smartphone.

Mengubah posisi pahat (Vario Lock)

Pahat dapat dikunci pada 40 posisi. Dengan demikian, posisi kerja yang optimal dapat diperoleh.

- Masukkan pahat ke dalam dudukan alat kerja.
- Putar switch getaran/penghenti putaran (17) ke posisi "Vario-Lock".
- Putar alat sisipan ke posisi pahat yang diinginkan.
- Putar switch getaran/penghenti putaran (17) ke posisi "Pemahatan". Dudukan alat kerja kemudian akan terkunci.
- Untuk memahat, atur arah putaran ke kanan.

User Interface (lihat gambar L)

User Interface (8) digunakan untuk memilih mode pengoperasian serta untuk display status perkakas listrik.

Simbol smartphone (28)	Arti/penyebab	Solusi
Putih	Informasi penting tersedia (misalnya peringatan suhu)	Baca pesan pada smartphone

Memilih mode pengoperasian

Tekan tombol **(26)** beberapa kali untuk memilih mode pengoperasian hingga mode pengoperasian yang diinginkan menyala.

Catatan: Pada mode pengoperasian **Favorite**, fungsi dikonfigurasi melalui aplikasi smartphone, fungsi sebelumnya telah diatur dalam mode pengoperasian **Auto** dan **Soft**.

Display mode pengoperasian (25)	Fungsi
Auto Simbol daya maksimal (27) menyala	Pada mode pengoperasian Auto , perkakas listrik mencapai kinerja maksimal dengan kecepatan akselerasi maksimal.
Favorite Simbol konfigurasi kecepatan putaran pada smartphone (23) menyala	Pada mode pengoperasian Favorite , daya dan kecepatan akselerasi perkakas listrik dapat dikonfigurasi secara terpisah melalui aplikasi smartphone.
Soft Simbol daya yang berkurang (24) menyala	Pada mode pengoperasian Soft , daya dan kecepatan akselerasi perkakas listrik akan berkurang.

Fungsi konektivitas

Persyaratan sistem untuk menggunakan aplikasi

Persyaratan sistem

Perangkat seluler (tablet, smartphone) Android 6.0 (dan lebih tinggi) iOS 11 (dan lebih tinggi)

Instalasi dan Pengaturan Aplikasi

Instal terlebih dulu aplikasi khusus sesuai perangkat seluler agar fungsi konektivitas dapat digunakan.

- Unduh aplikasi melalui App Store (Apple App Store, Google Play Store) yang sesuai.

Catatan: App Store terkait memerlukan akun pengguna.

Nama aplikasi	iOS	Android
Bosch Toolbox		

- Selanjutnya pilih subitem **MyTools** atau **Connectivity** pada aplikasi.
- Display pada perangkat seluler Anda akan menampilkan seluruh langkah-langkah selanjutnya untuk menghubungkan perkakas listrik dengan perangkat.

Berkaitan dengan modul *Bluetooth*® Low Energy **GCY 42**, fungsi konektivitas berikut tersedia pada aplikasi Bosch Toolbox untuk perkakas listrik:

- Pendaftaran
- Personalisasi mode pengoperasian **Favorite** (daya dan perilaku)
- Pengaturan alat (misalnya masa pengoperasian ekstraksi debu, parameter lampu kerja)

- Cek status, tampilan pesan peringatan
- Informasi umum
- Perawatan

Untuk informasi mengenai modul *Bluetooth*® Low Energy **GCY 42**, baca panduan pengoperasian terkait.

Simbol smartphone **(28)** akan menyala jika perkakas listrik mengirimkan informasi (misalnya peringatan suhu) menggunakan teknologi radio *Bluetooth*® ke perangkat seluler.

Menonaktifkan fungsi konektivitas

► **Perkakas listrik dengan modul *Bluetooth*® Low Energy yang terpasang dilengkapi dengan antarmuka nirkabel. Perhatikan batasan pengoperasian lokal, misalnya dalam pesawat terbang atau di rumah sakit.**

Catatan: Penutup **(15)** hanya dapat ditutup dengan aman jika modul *Bluetooth*® Low Energy dan baterai kancing terdapat pada perkakas listrik.

- Untuk **menonaktifkan** modul *Bluetooth*® Low Energy, putar baterai kancing atau letakkan isolasi antara baterai kancing dan modul *Bluetooth*® Low Energy.
- Tutup penutup **(15)** untuk mencegah kotoran masuk.

Petunjuk pengoperasian

Mengatur kedalaman pengeboran (lihat gambar M)

Dengan pembatas kedalaman **(21)**, kedalaman lubang **X** yang diinginkan dapat ditetapkan.

- Tekan tombol untuk mengatur pembatas kedalaman **(19)** dan pasang pembatas kedalaman ke gagang tambahan **(20)**.
Permukaan yang menonjol pada pembatas kedalaman **(21)** harus menghadap ke bawah.
- Dorong alat sisipan SDS plus ke dalam dudukan alat kerja SDS plus **(3)** hingga maksimal. Alat kerja SDS plus yang

goyah dapat menyebabkan kesalahan dalam penyetelan kedalaman bor.

- Tarik pembatas kedalaman hingga jarak antara ujung mata bor dan ujung pembatas kedalaman sesuai dengan kedalaman pengeboran **X** yang diinginkan.

Kopling beban berlebih

- ▶ **Jika alat sisipan terjepit atau tersangkut, maka daya penggerak ke spindel bor akan terhenti. Akibat daya yang timbul, tahan selalu perkakas listrik dengan kuat menggunakan kedua tangan dan ambil pijakan yang kuat.**
- ▶ **Jika perkakas listrik macet, matikan perkakas listrik dan lepaskan alat sisipan. Jika perkakas listrik dihidupkan dengan kondisi mesin bor masih macet, hal ini dapat menyebabkan terjadinya torsi reaksi yang besar.**

Penonaktifan cepat (Kickback Control)



Penonaktifan cepat (Kickback Control) menawarkan kendali yang lebih baik pada perkakas listrik dan meningkatkan perlindungan terhadap pengguna dibandingkan dengan perkakas listrik tanpa Kickback Control. Jika perkakas listrik berputar pada poros bor secara mendadak dan tak terduga, perkakas listrik akan mati, display penonaktifan cepat akan menyala merah dan lampu kerja **(18)** akan berkedip. Jika penonaktifan cepat diaktifkan, display status **(29)** akan berkedip merah.

- Untuk mengoperasikan kembali perkakas listrik, lepaskan tombol on/off **(12)** lalu tekan kembali.

Peredaman getaran



Peredaman getaran yang terintegrasi akan mengurangi getaran yang muncul.

- ▶ **Hentikan penggunaan perkakas listrik jika elemen peredaman rusak.**

Memasang mata obeng (lihat gambar N)

- ▶ **Pasang perkakas listrik pada mur/sekrup hanya saat dalam keadaan mati.** Alat sisipan yang berputar dapat tergelincir.

Untuk menggunakan mata obeng diperlukan holder universal **(38)** dengan batang pemasang SDS plus (aksesori).

- Bersihkan ujung batang pemasang dan lumasi dengan sedikit minyak.
- Pasang holder universal dengan cara diputar ke dalam dudukan alat kerja hingga terkunci dengan sendirinya.
- Periksa penguncian dengan menarik holder universal.
- Pasang mata obeng ke dalam holder universal. Hanya gunakan mata obeng yang sesuai dengan kepala sekrup.
- Untuk melepaskan holder universal, dorong selongsong pengunci **(5)** ke belakang dan lepaskan holder universal **(38)** dari dudukan alat kerja.

Menggantung perkakas listrik (lihat gambar O)

Perkakas listrik dapat digantungkan pada alat gantungan yang sesuai menggunakan kait penggantung **(13)**.

- Tekan singkat kait penggantung **(13)** ke arah handel **(11)** untuk melepaskan pengunci. Kait penggantung memanjang secara otomatis ke belakang.
- Putar kait penggantung ke samping.
- Periksa apakah terdapat kerusakan atau perubahan bentuk pada kait penggantung **(13)**. Jangan gunakan kait penggantung **(13)** jika rusak, berubah bentuk, atau tidak lagi terpasang kencang pada perkakas listrik.
- Gantung perkakas listrik pada alat gantungan yang stabil dengan kait penggantung **(13)**. Untuk menghindari kerusakan atau cedera, alat gantungan tidak boleh dipasang di area yang dilalui orang atau di sekitar area kerja. Kait penggantung hanya dirancang untuk menggantung perkakas listrik serta aksesoris yang terpasang.
- Jika perkakas listrik digunakan, putar kembali kait penggantung **(13)** dan geser dengan ditekan secara perlahan ke depan dan ke bawah ke posisi penguncian.
- ▶ **Jangan pernah menggunakan kait penggantung (13) sebagai alat pelindung jatuh. Jangan pernah memasang alat pelindung jatuh pada kait penggantung.**

Memasang alat pelindung jatuh (lihat gambar P)

Catatan: Sebaiknya gunakan alat pelindung jatuh **(40)** yang sesuai dengan berat sistem untuk mengamankan perkakas listrik agar tidak terjatuh. Panjang alat pelindung jatuh maksimal yang diperbolehkan adalah **1,8 m**. Perhatikan area pemasangan yang diperbolehkan **(39)** pada perkakas listrik dengan saksama.

Sebaiknya gunakan loop perekat yang dikencangkan dengan simpul jangkar atau alat pelindung jatuh dengan peredam camber sebagai alat pelindung jatuh.

Perhatikan panduan pengoperasian dengan saksama saat memasang alat pelindung jatuh **(40)**.

- ▶ **Pastikan untuk memasang sisi belakang alat pelindung jatuh ke struktur yang stabil (misalnya bangunan atau perancah) dan jangan pernah memasangnya ke pengguna itu sendiri. Alat pelindung jatuh harus dapat bergerak bebas dan hanya boleh dipasang pada titik pemasangan tetap (41) dan di area pemasangan yang diperbolehkan (39) pada perkakas listrik. Pilih titik pemasangan tetap (41) agar, jika perkakas listrik terjatuh, perkakas listrik dapat jatuh dengan bebas ke alat pelindung jatuh tanpa melibatkan atau membahayakan pengguna. Jangan pernah menggunakan kait penggantung (13) sebagai alat pelindung jatuh. Jangan pernah memasang alat pelindung jatuh pada kait penggantung. Jangan pernah menggunakan alat pelindung jatuh**

pada perkakas listrik dengan unit ekstraksi debu GDE 18V-16 atau GDE 16 Plus yang terpasang.

Perawatan dan servis

Perawatan dan pembersihan

- ▶ **Sebelum melakukan semua pekerjaan pada perkakas listrik (misalnya merawat, mengganti alat kerja, dsb.) serta selama transpor dan penyimpanan, keluarkanlah baterai dari perkakas listrik.** Terdapat risiko cedera apabila tombol untuk menghidupkan dan mematikan dioperasikan tanpa sengaja.
- ▶ **Perkakas listrik dan lubang ventilasi harus selalu dibersihkan agar perkakas dapat digunakan dengan baik dan aman.**
- ▶ **Tutup pelindung debu yang rusak harus segera diganti. Direkomendasikan untuk melakukannya di layanan pelanggan Bosch.**
 - Bersihkan duduk alat kerja (3) setiap kali selesai digunakan.

Layanan pelanggan dan konsultasi penggunaan

Layanan pelanggan Bosch menjawab semua pertanyaan Anda tentang reparasi dan perawatan serta tentang suku cadang produk ini. Gambaran teknis (exploded view) dan informasi mengenai suku cadang dapat ditemukan di:

www.bosch-pt.com

Tim konsultasi penggunaan Bosch akan membantu Anda menjawab pertanyaan seputar produk kami beserta aksesorinya.

Jika Anda hendak menanyakan sesuatu atau memesan suku cadang, selalu sebutkan nomor model yang terdiri dari 10 angka dan tercantum pada label tipe produk.

Indonesia

PT Robert Bosch Indonesia
 Arkadia Green Park Tower G – 7th floor
 Jl. Let. Jend. TB. Simatupang Kav.88
 Jakarta 12520
 Tel.: (021) 3005 5800
 Fax: (021) 3005 5801
 E-Mail: boschpowertools@id.bosch.com
www.bosch-pt.co.id

Alamat layanan lainnya dapat ditemukan di:

www.bosch-pt.com/serviceaddresses

Transpor

Baterai li-ion yang direkomendasikan tunduk pada persyaratan terkait peraturan tentang bahan-bahan yang berbahaya. Baterai dapat diangkat di jalan oleh penggunanya tanpa pembatasan lebih lanjut.

Pada pengiriman oleh pihak ketiga (misalnya transportasi udara atau perusahaan ekspedisi) harus ditaati syarat-syarat terkait kemasan dan pemberian tanda. Dalam hal ini, diperlukan konsultasi dengan ahli bahan-bahan berbahaya saat mengatur barang pengiriman.

Kirimkan baterai hanya jika housing-nya tidak rusak. Tutup bagian-bagian yang terbuka dan kemas baterai agar tidak bergerak-gerak di dalam kemasan. Taatilah peraturan-peraturan nasional lainnya yang mungkin lebih rinci yang berlaku di negara Anda.

Cara membuang



Perkakas listrik, baterai, aksesoris dan kemasan harus didaur ulang dengan cara yang ramah lingkungan.



Jangan membuang perkakas listrik, aki/baterai ke dalam sampah rumah tangga!

Baterai:

Li-ion:

Perhatikanlah petunjuk-petunjuk dalam bab Transpor (lihat „Transpor“, Halaman 81).

Tiếng Việt

Hướng dẫn an toàn

Hướng dẫn an toàn chung cho dụng cụ điện

⚠ CẢNH BÁO Hãy đọc toàn bộ các cảnh báo an toàn, hướng dẫn, hình ảnh và thông số kỹ thuật được cung cấp cho dụng cụ điện cầm tay này. Không tuân thủ mọi hướng dẫn được liệt kê dưới đây có thể bị điện giật, gây cháy và/hay bị thương tật nghiêm trọng.

Hãy giữ tất cả tài liệu về cảnh báo và hướng dẫn để tham khảo về sau.

Thuật ngữ "dụng cụ điện cầm tay" trong phần cảnh báo là để cập đến sự sử dụng dụng cụ điện cầm tay của bạn, loại sử dụng điện nguồn (có dây cắm điện) hay vận hành bằng pin (không dây cắm điện).

Khu vực làm việc an toàn

- ▶ **Giữ nơi làm việc sạch và đủ ánh sáng.** Nơi làm việc bừa bộn và tối tăm dễ gây ra tai nạn.
- ▶ **Không vận hành dụng cụ điện cầm tay trong môi trường dễ gây nổ, chẳng hạn như nơi có chất lỏng dễ cháy, khí đốt hay rác.** Dụng cụ điện cầm tay tạo ra các tia lửa nên có thể làm rác bén cháy hay bốc khói.
- ▶ **Không để trẻ em hay người đến xem đứng gần khi vận hành dụng cụ điện cầm tay.** Sự phân tâm có thể gây ra sự mất điều khiển.

An toàn về điện

- ▶ **Phích cắm của dụng cụ điện cầm tay phải thích hợp với ổ cắm. Không bao giờ được cải biến lại phích cắm dưới mọi hình thức. Không được sử dụng phích cắm nối tiếp đất (dây mát).** Phích cắm nguyên bản và ổ cắm đúng loại sẽ làm giảm nguy cơ bị điện giật.
- ▶ **Tránh không để thân thể tiếp xúc với đất hay các vật có bề mặt tiếp đất như đường ống, lò sưởi, hàng rào và tủ lạnh.** Có nhiều nguy cơ bị điện giật hơn nếu cơ thể bạn bị tiếp hay nối đất.
- ▶ **Không được để dụng cụ điện cầm tay ngoài mưa hay ở tình trạng ẩm ướt.** Nước vào máy sẽ làm tăng nguy cơ bị điện giật.
- ▶ **Không được làm dụng dây dẫn điện. Không bao giờ được nắm dây dẫn để xách, kéo hay rút phích cắm dụng cụ điện cầm tay. Không để dây gần nơi có nhiệt độ cao, dầu nhớt, vật nhọn bén và bộ phận chuyển động.** Làm hỏng hay cuộn rối dây dẫn làm tăng nguy cơ bị điện giật.
- ▶ **Khi sử dụng dụng cụ điện cầm tay ngoài trời, dùng dây nối thích hợp cho việc sử dụng ngoài trời.** Sử dụng dây nối thích hợp cho việc sử dụng ngoài trời làm giảm nguy cơ bị điện giật.
- ▶ **Nếu việc sử dụng dụng cụ điện cầm tay ở nơi ẩm ướt là không thể tránh được, dùng thiết bị ngắt mạch tự động (RCD) bảo vệ nguồn.** Sử dụng thiết bị ngắt mạch tự động RCD làm giảm nguy cơ bị điện giật.

An toàn cá nhân

- ▶ **Hãy tỉnh táo, biết rõ mình đang làm gì và hãy sử dụng ý thức khi vận hành dụng cụ điện cầm tay. Không sử dụng dụng cụ điện cầm tay khi đang mệt mỏi hay đang bị tác động do chất gây nghiện, rượu hay được phẩm gây ra.** Một thoáng mất tập trung khi đang vận hành dụng cụ điện cầm tay có thể gây thương tích nghiêm trọng cho bản thân.
- ▶ **Sử dụng trang bị bảo hộ cá nhân. Luôn luôn đeo kính bảo vệ mắt.** Trang bị bảo hộ như khẩu trang, giày chống trượt, nón bảo hộ, hay dụng cụ bảo vệ tai khi được sử dụng đúng nơi đúng chỗ sẽ làm giảm nguy cơ thương tật cho bản thân.
- ▶ **Phòng tránh máy khởi động bất ngờ. Bảo đảm công tắc máy ở vị trí tắt trước khi cắm vào nguồn điện và/hay lắp pin vào, khi nhắc máy lên hay khi mang xách máy.** Ngáng ngón tay vào công tắc máy để xách hay kích hoạt dụng cụ điện cầm tay khi công tắc ở vị trí mở để dẫn đến tai nạn.
- ▶ **Lấy mọi chìa hay khóa điều chỉnh ra trước khi mở điện dụng cụ điện cầm tay.** Khóa hay chìa còn gắn dính vào bộ phận quay của dụng cụ điện cầm tay có thể gây thương tích cho bản thân.

- ▶ **Không rướn người. Luôn luôn giữ tư thế đứng thích hợp và thẳng bằng.** Điều này tạo cho việc điều khiển dụng cụ điện cầm tay tốt hơn trong mọi tình huống bất ngờ.
- ▶ **Trang phục thích hợp. Không mặc quần áo rộng lủng thùng hay mang trang sức. Giữ tóc và quần áo xa khỏi các bộ phận chuyển động.** Quần áo rộng lủng thùng, đồ trang sức hay tóc dài có thể bị cuốn vào các bộ phận chuyển động.
- ▶ **Nếu có các thiết bị đi kèm để nối máy hút bụi và các phụ kiện khác, bảo đảm các thiết bị này được nối và sử dụng tốt.** Việc sử dụng các thiết bị gom hút bụi có thể làm giảm các độc hại liên quan đến bụi gây ra.
- ▶ **Không để thói quen do sử dụng thường xuyên dụng cụ khiến bạn trở nên chủ quan và bỏ qua các quy định an toàn dụng cụ.** Một hành vi bất cẩn có thể gây ra thương tích nghiêm trọng chỉ trong tích tắc.

Sử dụng và bảo dưỡng dụng cụ điện cầm tay

- ▶ **Không được ép máy. Sử dụng dụng cụ điện cầm tay đúng loại theo đúng ứng dụng của bạn.** Dụng cụ điện cầm tay đúng chức năng sẽ làm việc tốt và an toàn hơn theo đúng tiến độ mà máy được thiết kế.
- ▶ **Không sử dụng dụng cụ điện cầm tay nếu như công tắc không tắt và mở được.** Bất kỳ dụng cụ điện cầm tay nào mà không thể điều khiển được bằng công tắc là nguy hiểm và phải được sửa chữa.
- ▶ **Rút phích cắm ra khỏi nguồn điện và/hay pin ra khỏi dụng cụ điện cầm tay nếu có thể tháo được, trước khi tiến hành bất kỳ điều chỉnh nào, thay phụ kiện, hay cất dụng cụ điện cầm tay.** Các biện pháp ngăn ngừa như vậy làm giảm nguy cơ dụng cụ điện cầm tay khởi động bất ngờ.
- ▶ **Cất giữ dụng cụ điện cầm tay không dùng tới nơi trẻ em không lấy được và không cho người chưa từng biết dụng cụ điện cầm tay hay các hướng dẫn này sử dụng dụng cụ điện cầm tay.** Dụng cụ điện cầm tay nguy hiểm khi ở trong tay người chưa được chỉ cách sử dụng.
- ▶ **Bảo quản dụng cụ điện cầm tay và các phụ kiện. Kiểm tra xem các bộ phận chuyển động có bị sai lệch hay kẹt, các bộ phận bị rạn nứt và các tình trạng khác có thể ảnh hưởng đến sự vận hành của máy. Nếu bị hư hỏng, phải sửa chữa máy trước khi sử dụng.** Nhiều tai nạn xảy ra do bảo quản dụng cụ điện cầm tay tồi.
- ▶ **Giữ các dụng cụ cất bên và sạch.** Bảo quản đúng cách các dụng cụ cất có cạnh cắt bén làm giảm khả năng bị kẹt và dễ điều khiển hơn.

- ▶ **Sử dụng dụng cụ điện cầm tay, phụ kiện, đầu cài v. v., đúng theo các chỉ dẫn này, hãy lưu ý đến điều kiện làm việc và công việc phải thực hiện.** Sự sử dụng dụng cụ điện cầm tay khác với mục đích thiết kế có thể tạo nên tình huống nguy hiểm.
- ▶ **Giữ tay cầm và bề mặt nắm luôn khô ráo, sạch sẽ và không dính dầu mỡ.** Tay cầm và bề mặt nắm trơn trượt không đem lại thao tác an toàn và kiểm soát dụng cụ trong các tình huống bất ngờ.

Sử dụng và bảo quản dụng cụ dùng pin

- ▶ **Chỉ được sạc pin lại với bộ nạp điện do nhà sản xuất chỉ định.** Bộ nạp điện thích hợp cho một loại pin có thể gây nguy cơ cháy khi sử dụng cho một loại pin khác.
- ▶ **Chỉ sử dụng dụng cụ điện cầm tay với loại pin được thiết kế đặc biệt dành riêng cho máy.** Sử dụng bất cứ loại pin khác có thể dẫn đến thương tật hay cháy.
- ▶ **Khi không sử dụng pin, để cách xa các vật bằng kim loại như kẹp giấy, tiền xu, chìa khoá, đinh, ốc vít hay các đồ vật kim loại nhỏ khác, thứ có thể tạo sự nối tiếp từ một đầu cực với một đầu cực khác.** Sự chập mạch của các đầu cực với nhau có thể gây bóng hay cháy.
- ▶ **Bảo quản ở tình trạng tối, dung dịch từ pin có thể tửa ra; tránh tiếp xúc.** Nếu vô tình chạm phải, hãy xối nước để rửa. Nếu dung dịch vào mắt, cần thêm sự hỗ trợ của y tế. Dung dịch tiết ra từ pin có thể gây ngứa hay bóng.
- ▶ **Không được sử dụng bộ pin hoặc dụng cụ đã bị hư hại hoặc bị thay đổi.** Pin hỏng hoặc bị thay đổi có thể gây ra những tác động không lường trước được như cháy nổ hoặc nguy cơ thương tích.
- ▶ **Không đặt bộ pin hoặc dụng cụ ở gần lửa hoặc nơi quá nhiệt.** Tiếp xúc với lửa hoặc nhiệt độ cao trên 130 °C có thể gây nổ.
- ▶ **Tuân thủ tất cả các hướng dẫn nạp và không nạp bộ pin hay dụng cụ ở bên ngoài phạm vi nhiệt độ đã được quy định trong các hướng dẫn.** Nạp không đúng cách hoặc ở nhiệt độ ngoài phạm vi nạp đã quy định có thể làm hư hại pin và gia tăng nguy cơ cháy.

Bảo dưỡng

- ▶ **Đưa dụng cụ điện cầm tay của bạn đến thợ chuyên môn để bảo dưỡng, chỉ sử dụng phụ tùng đúng chủng loại để thay.** Điều này sẽ đảm bảo sự an toàn của máy được giữ nguyên.
- ▶ **Không bao giờ sửa chữa các bộ pin đã hư hại.** Chỉ cho phép nhà sản xuất hoặc các nhà cung cấp dịch vụ có ủy quyền thực hiện dịch vụ sửa chữa cho các bộ pin.

Hướng dẫn an toàn về bụi

Hướng dẫn an toàn cho mọi hoạt động

- ▶ **Đeo bảo vệ tai.** Tiếp xúc với tiếng ồn có thể làm mất khả năng nghe.
- ▶ **Sử dụng (các) tay cầm phụ, nếu được cung cấp kèm theo dụng cụ.** Mất điều khiển có thể gây ra thương tích cho người.
- ▶ **Chỉ cầm dụng cụ điện tại các bề mặt cầm nắm có cách điện, khi thực hiện một thao tác tại vị trí mà phụ kiện cắt hoặc dụng cụ kẹp có thể tiếp xúc với dây điện ngầm.** Phụ kiện cắt hoặc dụng cụ kẹp tiếp xúc với dây có điện có thể làm cho các phần kim loại hở của dụng cụ điện cầm tay có điện và có thể gây ra điện giật cho người vận hành.

Hướng dẫn an toàn khi sử dụng các mũi khoan dài với máy khoan búa kiểu xoay

- ▶ **Luôn khởi động khoan ở tốc độ thấp và với đầu mũi khoan tiếp xúc với phôi gia công.** Ở tốc độ cao hơn, mũi khoan có thể bị cong nếu cho phép xoay tự do mà không cho tiếp xúc với phôi gia công, dẫn đến thương tích cho người.
- ▶ **Chỉ dùng áp lực vào đường trục tiếp bằng mũi khoan và không dùng áp lực dư.** Mũi khoan có thể cong, dẫn đến bị gãy hoặc mất kiểm soát, gây thương tích cho người.

Các cảnh báo phụ thêm

- ▶ **Dùng thiết bị dò tìm thích hợp để xác định nếu có các công trình công cộng lắp đặt ngầm trong khu vực làm việc hay liên hệ với Cty công trình công cộng địa phương để nhờ hỗ trợ.** Dụng cụ chạm đường dẫn điện có thể gây ra hỏa hoạn và điện giật. Làm hư hại đường dẫn khí ga có thể gây nổ. Làm thủng ống dẫn nước có thể làm hư hại tài sản hay có thể gây ra điện giật.
- ▶ **Luôn luôn đợi cho máy hoàn toàn ngừng hẳn trước khi đặt xuống.** Dụng cụ lắp vào máy có thể bị kẹp chặt dẫn đến việc dụng cụ điện cầm tay bị mất điều khiển.
- ▶ **Kẹp chặt vật gia công.** Vật gia công được kẹp bằng một thiết bị kẹp hay bằng ê-tô thì vững chắc hơn giữ bằng tay.
- ▶ **Trong trường hợp pin bị hỏng hay sử dụng sai cách, hơi nước có thể bốc ra. Pin có thể cháy hoặc nổ.** Hãy làm cho thông thoáng khí và trong trường hợp bị đau phải nhờ y tế chữa trị. Hơi nước có thể gây ngứa hệ hô hấp.
- ▶ **Không được tháo pin ra.** Nguy cơ bị chập mạch.
- ▶ **Pin có thể bị hư hại bởi các vật dụng nhọn như đinh hay tuốc-nơ-vít hoặc bởi các tác động lực từ bên ngoài.** Nó có thể dẫn tới đoản mạch nội bộ và làm pin bị cháy, bốc khói, phát nổ hoặc quá nóng.

- **Chỉ sử dụng pin trong các sản phẩm của nhà sản xuất.** Chỉ bằng cách này, pin sẽ được bảo vệ tránh nguy cơ quá tải.



Bảo vệ pin không để bị làm nóng, ví dụ, chống để lâu dài dưới ánh nắng gay gắt, lửa, chất bẩn, nước, và sự ẩm ướt. Có nguy cơ nổ và chập mạch.



- **Không chạm vào bất kỳ dụng cụ hoặc bộ phận vỏ gắn kể nào ngay sau khi vận hành.** Chúng có thể rất nóng trong quá trình vận hành và gây bỏng.
- **Dụng cụ gài có thể chặn khi khoan. Giữ dụng cụ điện thật chắc bằng cả hai tay và giữ tư thế đứng cho thích hợp và cân bằng.** Bạn có thể mất kiểm soát thông qua dụng cụ điện.
- **Cẩn thận với công việc phá dỡ bằng máy đục.** Các mảnh vỡ của vật liệu phá dỡ rơi xuống có thể gây thương tích cho người xung quanh hoặc chính bạn.
- **Giữ máy thật chắc bằng cả hai tay trong khi làm việc và luôn luôn giữ tư thế đứng cho thích hợp và cân bằng.** Dùng hai tay để điều khiển máy thì an toàn hơn.
- **Cẩn thận! Nếu sử dụng dụng cụ điện với cổng Bluetooth® có thể gây nhiều các dụng cụ, thiết bị khác cũng như máy bay và dụng cụ y tế (ví dụ: máy tạo nhịp tim, máy trợ thính). Và cũng không thể loại trừ hoàn toàn những tổn hại cho người và động vật ở môi trường trực diện xung quanh. Không sử dụng dụng cụ điện có kết nối Bluetooth® ở gần những thiết bị y tế, trạm xăng, cơ sở hóa học, các khu vực có nguy cơ gây nổ và các khu vực cháy nổ. Không sử dụng dụng cụ điện có kết nối Bluetooth® trên máy bay. Tránh để máy hoạt động gần cơ thể trong thời gian dài.**

Biểu tượng chữ Bluetooth® cũng như biểu tượng ảnh (các logo) do công ty cổ phần Bluetooth SIG đăng ký nhãn hiệu và sở hữu. Công ty trách nhiệm hữu hạn Robert Bosch Power Tools GmbH đã được cấp phép để sử dụng những biểu tượng chữ/biểu tượng ảnh này với sản phẩm của mình.

Mô Tả Sản Phẩm và Đặc Tính Kỹ Thuật



Đọc kỹ mọi cảnh báo an toàn và mọi hướng dẫn. Không tuân thủ mọi cảnh báo và hướng dẫn được liệt kê dưới đây có thể bị điện giật, gây cháy và / hay bị thương tật nghiêm trọng.

Xin lưu ý các hình minh họa trong phần trước của hướng dẫn vận hành.

Sử dụng đúng cách

Máy được thiết kế để khoan có động tác búa vào bê-tông, gạch và công trình nề, cũng như dành cho công việc đục không nề. Cũng tương tự phù hợp để khoan mà không cần va đập vào gỗ, kim loại, sứ và chất dẻo. Máy có bộ phận điều khiển điện tử và quay được chiều phải/trái cũng thích hợp cho việc bắt vít.

Khi Bluetooth® Low Energy Module được sử dụng, dữ liệu và các cài đặt của dụng cụ điện có thể được truyền đi giữa dụng cụ điện và một thiết bị đầu cuối di động **GCY 42** bằng công nghệ sóng vô tuyến Bluetooth®.

Các bộ phận được minh họa

Việc đánh số các thành phần đã minh họa liên quan đến mô tả dụng cụ điện trên trang hình ảnh.

- (1) Mâm cặp thay nhanh không chia (GBH 18V-28 CF)
- (2) Mâm cặp thay nhanh SDS plus (GBH 18V-28 CF)
- (3) Phần lắp dụng cụ SDS plus
- (4) Chụp ngăn bụi
- (5) Vòng khóa
- (6) Vòng khóa mâm cặp thay nhanh (GBH 18V-28 CF)
- (7) Bộ phận giảm chấn
- (8) Giao diện người dùng
- (9) Nút tháo pin^{a)}
- (10) Gạc vận chuyển đổi chiều quay
- (11) Tay nắm (có bề mặt nắm cách điện)
- (12) Công tắc Bật/Tắt
- (13) Các móc treo
- (14) Pin^{a)}
- (15) Cặp che Bluetooth
- (16) Nút nhà khóa để sử dụng gạc chọn phương thức hoạt động
- (17) Gạc Chọn Chế Độ Hoạt Động
- (18) Đèn làm việc
- (19) Nút điều chỉnh cho cỡ định độ sâu
- (20) Tay nắm phụ (có bề mặt nắm cách điện)
- (21) Cỡ định độ sâu
- (22) Đèn báo trạng thái nạp pin (Giao diện người dùng)
- (23) Biểu tượng cấu hình tốc độ mỗi ứng dụng Smartphone (Giao diện người dùng)
- (24) Biểu tượng công suất giảm (Giao diện người dùng)
- (25) Hiển thị chế độ làm việc (Giao diện người dùng)
- (26) Nút chọn chế độ làm việc (Giao diện người dùng)

- (27) Biểu tượng công suất tối đa (Giao diện người dùng)
- (28) Biểu tượng Smartphone (Giao diện người dùng)
- (29) Hiển thị Trạng thái dụng cụ điện (Giao diện người dùng)
- (30) Bulông an toàn cho đầu cặp mũi khoan vành răng (GBH 18V-28 C)^{a)}
- (31) Đầu cặp mũi khoan vành răng (GBH 18V-28 C)^{a)}
- (32) Phần chuỗi tiếp hợp SDS plus cho đầu cặp mũi khoan (GBH 18V-28 C)^{a)}
- (33) Thiết bị tiếp hợp đầu cặp mũi khoan (GBH 18V-28 CF)
- (34) Rãnh Khóa Nhận Dạng
- (35) Khóa của mâm cặp (GBH 18V-28 C)
- (36) Khớp vòng ngoài của mâm cặp thay nhanh không chia (GBH 18V-28 CF)
- (37) Vòng giữ của mâm cặp thay nhanh không chia (GBH 18V-28 CF)
- (38) Phần lắp đầu gài phổ thông với chuỗi SDS plus^{a)}
- (39) Vùng gắn thiết bị chống rơi trên dụng cụ điện
- (40) Thiết bị chống rơi^{b)}
- (41) Điểm gắn cố định thiết bị chống rơi^{b)}
- a) Phụ tùng được trình bày hay mô tả không phải là một phần của tiêu chuẩn hàng hóa được giao kèm theo sản phẩm. Bạn có thể tham khảo tổng thể các loại phụ tùng, phụ kiện trong chương trình phụ tùng của chúng tôi.
- b) Phụ kiện được hiển thị hoặc mô tả không thuộc phạm vi cung cấp và không thuộc dòng phụ kiện của Bosch.

Thông số kỹ thuật

Búa khoan dùng pin		GBH 18V-28 C	GBH 18V-28 CF
Mã số máy		3 611 J20 0..	3 611 J21 0..
Điều khiển tốc độ		●	●
Ngừng quay		●	●
Quay phải/trái		●	●
Mâm cặp thay nhanh		-	●
Điện thế danh định	V=	18	18
Tần suất đập ^{A)}	/phút	0-4220	0-4220
Năng lượng và đập của từng hành trình dựa theo EPTA-Procedure 05:2016	J	3,3	3,3
Tốc độ không tải ^{A)}			
- Chiều quay phải	/phút	0-950	0-950
- Chiều quay trái	/phút	0-950	0-950
Phần lắp dụng cụ		SDS plus	SDS plus
Đường kính cổ trục	mm	50	50
Đường kính khoan, tối đa:			
- Bê tông	mm	28	28
- Công trình nề (với mũi khoan lõi)	mm	82	82
- Thép	mm	13	13
- Gỗ	mm	30	30
Trọng lượng không pin	kg	3,3	3,4
Trọng lượng theo EPTA-Procedure 01:2014	kg	3,7-4,7	3,8-4,8
Chiều dài	mm	349	378
Chiều cao	mm	225	225
Chiều rộng	mm	92	92
Nhiệt độ môi trường được khuyến nghị khi sạc	°C	0 ... +35	0 ... +35

Búa khoan dùng pin	GBH 18V-28 C	GBH 18V-28 CF
Nhiệt độ môi trường cho phép trong quá trình vận hành ^{B)} và trong quá trình lưu trữ	°C -15 ... +50	-15 ... +50
Pin tương thích	GBA 18V... ProCORE18V...	GBA 18V... ProCORE18V...
Pin được khuyến nghị dùng	GBA 18V... ≥5.0 Ah ProCORE18V... ≥4.0 Ah	GBA 18V... ≥5.0 Ah ProCORE18V... ≥4.0 Ah
Thiết bị nạp được khuyến nghị giới thiệu	GAL 18... GAX 18... GAL 36...	GAL 18... GAX 18... GAL 36...

A) Được đo ở 20–25 °C với pin **ProCORE18V 4.0Ah**.

B) hiệu suất giới hạn ở nhiệt độ <0 °C

Các giá trị có thể khác nhau tùy thuộc vào sản phẩm và tùy thuộc vào ứng dụng và điều kiện môi trường. Xem thêm thông tin chi tiết trên trang www.bosch-professional.com/wac.

Pin

Bosch mua dụng cụ điện chạy pin không có pin. Dù pin được bao gồm trong phạm vi giao hàng của dụng cụ điện, bạn có thể tháo bao gi.

Sạc pin

► **Chỉ sử dụng bộ sạc được để cập trong dữ liệu kỹ thuật.** Chỉ những bộ sạc này phù hợp cho dụng cụ điện cầm tay của bạn có sử dụng pin Li-Ion.

Hướng dẫn: Pin Lithium-ion được giao một phần do các quy định vận tải quốc tế. Để bảo đảm đầy đủ điện dung, nạp điện hoàn toàn lại cho pin trước khi sử dụng cho lần đầu tiên.

Lắp pin

Hãy đẩy pin đã sạc vào giá gắn pin cho đến khi nó vào khớp.



Tháo pin ra

Để tháo pin bạn hãy ấn nút mở khóa pin và kéo pin ra. **Không dùng sức.**

Pin có 2 mức khóa, có nhiệm vụ ngăn ngừa pin bị rơi ra do vô ý bấm phải nút tháo pin. Cứ khi nào pin còn được lắp trong dụng cụ điện, nó vẫn được giữ nguyên vị trí nhờ vào một lò xo.

Đèn báo trạng thái nạp pin

Các đèn LED màu xanh của màn hình hiển thị tình trạng sạc pin chỉ ra tình trạng sạc của pin. Vì lý do an toàn, ta chỉ có thể kiểm tra trạng thái của tình trạng nạp điện khi máy đã ngừng hoạt động hoàn toàn.

Để hiển thị tình trạng nạp, bạn hãy nhấn nút để hiển thị mức sạc  hoặc . Điều này cũng có thể thực hiện khi ắc quy được tháo ra.

Đèn LED không sáng sau khi nhấn nút để hiển thị mức sạc có nghĩa là pin bị hỏng và phải được thay thế.

Mức sạc pin cũng được hiển thị trên giao diện người dùng Hiển thị trạng thái.

Kiểu pin GBA 18V...



LED	Điện dung
Đèn sáng liên tục 3× màu xanh lá	60–100 %
Đèn sáng liên tục 2× màu xanh lá	30–60 %
Đèn sáng liên tục 1× màu xanh lá	5–30 %
Đèn nhấp nháy 1× màu xanh lá	0–5 %

Kiểu pin ProCORE18V...



LED	Điện dung
Đèn sáng liên tục 5× màu xanh lá	80–100 %
Đèn sáng liên tục 4× màu xanh lá	60–80 %
Đèn sáng liên tục 3× màu xanh lá	40–60 %
Đèn sáng liên tục 2× màu xanh lá	20–40 %
Đèn sáng liên tục 1× màu xanh lá	5–20 %
Đèn nhấp nháy 1× màu xanh lá	0–5 %

Các Khuyến Nghị về Cách Bảo Dưỡng Tốt Nhất cho Pin

Bảo vệ pin hợp khối tránh sự ẩm ướt và nước.

Chỉ bảo quản pin trong tầm nhiệt độ nằm giữa –20 °C và 50 °C. Không để pin trong ô tô vào mùa hè.

Thỉnh thoảng làm sạch các khe thông gió của pin bằng cách dùng một cái cọ khô, mềm và sạch.

Sự giảm sút đáng kể thời gian hoạt động sau khi nạp điện chỉ rõ rằng pin hợp khối đã hết công dụng và phải được thay.

Quy trình hoạt động được chia ra làm hai giai đoạn.

Sự lắp vào

- ▶ **Trước khi tiến hành bất cứ công việc gì với máy (ví dụ bảo dưỡng, thay dụng cụ v.v.) cũng như khi vận chuyển hay lưu kho, tháo pin ra khỏi dụng cụ điện.** Có nguy cơ gây thương tích khi vô tình làm kích hoạt công tắc Tắt/Mở.

Sử dụng **Bluetooth® Low Energy Module GCY 42 (Phụ kiện)**

Để biết thông tin về **Bluetooth® Low Energy Module GCY 42**, hãy đọc hướng dẫn vận hành đi kèm.

Tay nắm phụ

- ▶ **Chỉ vận hành máy của bạn khi đã gắn tay nắm phụ (20).**
- ▶ **Đảm bảo tay nắm phụ luôn được siết chặt.** Bạn có thể mất kiểm soát thông qua dụng cụ điện khi làm việc.

Xoay tay nắm phụ (xem hình A)

Bạn có thể xoay tay nắm phụ (20) tùy ý, để có tư thế làm việc an toàn và ít mỏi.

- Xoay phần tay cầm dưới của tay nắm phụ (20) ngược chiều kim đồng hồ và xoay tay nắm phụ (20) vào vị trí mong muốn. Sau đó xoay mẫu tay cầm dưới của tay nắm phụ (20) theo chiều kim đồng hồ để siết chặt.
Hãy lưu ý rằng nẹp định vị của tay nắm phụ được đặt trong rãnh nằm trên vỏ máy đúng như chủ định.

Chọn Lựa Mâm Cặp Khoan và Dụng Cụ

Để đục hay khoan búa, cần phải sử dụng loại dụng cụ SDS-plus để lắp vào mâm cặp khoan SDS-plus.

Để khoan không đập trên gỗ, kim loại, sứ và nhựa cứng như để bắt vít, cần dùng các dụng cụ không SDS-plus (ví dụ khoan có trục hình trụ). Đối với các dụng cụ này, cần sử dụng loại mâm cặp khoan dùng chìa hay không dùng chìa.

Thay đầu cặp mũi khoan

Lắp/tháo đầu kẹp mũi khoan dạng chìa khóa

GBH 18V-28 C

Để có thể làm việc với các dụng cụ không SDS-plus (ví dụ khoan có trục hình trụ), bạn phải lắp một đầu cặp mũi khoan phù hợp (Đầu cặp mũi khoan vành răng hoặc đầu cặp mũi khoan không chìa, phụ kiện).

Lắp đầu cặp mũi khoan vành răng (xem hình B)

- Hãy vặn vít phần chuôi tiếp hợp SDS-plus (32) vào một đầu cặp mũi khoan vành răng (31). Hãy cố định chặt đầu cặp mũi khoan vành răng (31) bằng bulông an toàn (30). **Chú ý rằng, vít an toàn có ren trái.**

Lắp đầu cặp mũi khoan vành răng (xem Hình B)

- Làm sạch cán chuôi của chuôi tiếp hợp và bôi một lớp mỏng dầu bôi trơn lên.
- Lắp mâm cặp khoan loại dùng chìa với phần chuôi tiếp hợp vào trong phần lắp dụng cụ bằng động tác xoay cho đến khi được tự động khóa lại.
- Kiểm tra hiệu quả khóa bằng cách kéo thử mâm cặp khoan loại dùng chìa ra.

Tháo Mâm Cặp Khoan Loại Dùng Chìa

- Đẩy vòng khóa (5) về phía sau và tháo đầu cặp mũi khoan vành răng (31).

Tháo/Lắp Mâm Cặp Thay Nhanh

GBH 18V-28 CF

Tháo đầu cặp mũi khoan vành răng (xem Hình C)

- Kéo vòng khóa mâm cặp thay nhanh (6) ra phía sau, giữ chặt tại vị trí và tháo mâm cặp thay nhanh SDS-plus (2) hoặc mâm cặp thay nhanh không chìa (1) hướng về phía trước.
- Sau khi tháo ra, hãy bảo vệ cho mâm cặp thay ra không bị bẩn.

Lắp mâm cặp thay nhanh (xem hình D)

- ▶ **Chỉ sử dụng trang thiết bị gốc và tuân thủ số lượng rãnh Khía nhận Dạng (34). Chỉ cho phép dùng mâm cặp thay nhanh với hai rãnh khía nhận dạng.** Nếu sử dụng mâm cặp thay nhanh không phù hợp với dụng cụ điện này, dụng cụ gài có thể bị rơi khi vận hành.
- Trước khi lắp vào, lau sạch mâm cặp thay nhanh và bôi một lớp mỏng dầu bôi trơn lên cán chuôi.
- Cắm mâm cặp thay nhanh SDS-plus (2) hoặc mâm cặp thay nhanh không chìa (1) bằng cả bàn tay. Hãy đẩy mâm cặp thay nhanh lên thiết bị tiếp hợp đầu cặp mũi khoan (33), cho đến khi bạn nghe thấy tiếng khớp vào.
- Mâm cặp thay nhanh tự động khóa lại. Kiểm tra hiệu quả khóa bằng cách kéo thử mâm cặp thay nhanh.

Thay Dụng Cụ

Chụp bảo vệ ngăn bụi (4) giúp ngăn cản phần lớn sự xâm nhập của bụi khoan vào dụng cụ trong thời gian hoạt động. Khi lắp dụng cụ vào, hãy lưu ý rằng chụp bảo vệ ngăn bụi (4) không bị làm hư hỏng.

- ▶ **Thay chụp ngăn bụi bị hỏng ngay lập tức. Chúng tôi khuyến nghị việc thay thế này do một đại lý phục vụ hậu mãi thực hiện.**

Thay đổi dụng cụ (SDS-plus)

Thay dụng cụ gài SDS plus (xem hình E)

Mâm cặp khoan SDS-plus cho phép thay đổi dụng cụ khoan được đơn giản và tiện lợi mà không cần tới các dụng cụ phụ trợ khác.

- **GBH 18V-28 CF:** Lắp mâm cặp thay nhanh SDS-plus (2) vào.

- Làm sạch và thoa một lớp mỏng dầu bôi trơn lên chuỗi của dụng cụ.
- Lắp dụng cụ vào bằng cách xoay vặn dụng cụ vào ổ lắp dụng cụ cho đến khi tự ăn vào khớp.
- Kiểm tra xem đã cài chắc chưa bằng cách kéo thử dụng cụ ra.

Theo như yêu cầu của hệ thống, dụng cụ khoan SDS-plus có thể chuyển động tự do. Điều này tạo ra sự đảo toả tròn khi chạy không tải ở một mức nào đó. Việc này không làm ảnh hưởng đến độ chính xác của lỗ khoan, vì mũi khoan định tâm của chính nó trong khi khoan.

Tháo dụng cụ gài SDS-plus (xem Hình F)

- Đẩy vòng khóa (5) về phía sau và tháo phụ tùng.

Thay đổi dụng cụ Đầu cặp mũi khoan vành răng

GBH 18V-28 C

Thay phụ tùng (xem hình G)

Hướng dẫn: Không sử dụng các dụng cụ không SDS-plus để khoan búa hoặc đục! Khoan hay đục có động tác búa làm hỏng dụng cụ không phải loại SDS-plus và mâm cặp của chúng.

- Lắp đầu cặp mũi khoan vành răng vào (31).
- Hãy mở đầu cặp mũi khoan vành răng (31) bằng cách vặn cho đến khi có thể lắp được dụng cụ. Lắp dụng cụ vào.
- Cắm khóa chốt kẹp mũi khoan (35) vào lỗ tương ứng của đầu cặp mũi khoan vành răng (31) và đồng thời kẹp chặt dụng cụ.
- Vặn công tắc dừng xoay/dừng đập (17) vào vị trí „Khoan“.

Thay (xem Hình H)

- Xoay bạc lót của đầu cặp mũi khoan vành răng (31) bằng khóa chốt kẹp mũi khoan (35) ngược chiều kim đồng hồ cho đến khi dụng cụ gài có thể được tháo ra.

Thay đổi khuôn đúc Mâm cặp thay nhanh không chia

GBH 18V-28 CF

Thay phụ tùng (xem hình I)

Hướng dẫn: Không sử dụng các dụng cụ không SDS-plus để khoan búa hoặc đục! Khoan hay đục có động tác búa làm hỏng dụng cụ không phải loại SDS-plus và mâm cặp của chúng.

- Lắp mâm cặp thay nhanh không chia (1).
- Hãy giữ chặt vòng giữ (37) của mâm cặp thay nhanh không chia. Hãy mở phần lắp dụng cụ bằng cách xoay bạc lót trước (36) cho đến khi dụng cụ có thể được lắp. Giữ chặt vòng giữ (37) và xoay bạc lót phía trước (36) bằng lực mạnh theo hướng mũi tên, cho đến khi nghe thấy tiếng khớp.
- Kiểm tra xem đã vào chắc chưa bằng cách kéo thử dụng cụ ra.

Hướng dẫn: Nếu bộ gá dụng cụ đã được mở ra cho đến khi dừng lại, thì khi xoay bộ gá dụng cụ có

thể nghe thấy tiếng kêu rắc và bộ gá dụng cụ không tự đóng lại.

Trong trường hợp này, hãy xoay một lần ống bọc ngoài phía trước ngược chiều kim đồng hồ. Sau đó, bộ gá dụng cụ có thể được đóng lại.

- Vặn công tắc dừng xoay/dừng đập (17) vào vị trí „Khoan“.

Tháo phụ tùng (xem hình J)

- Hãy giữ chặt vòng giữ (37) của mâm cặp thay nhanh không chia. Hãy mở phần lắp dụng cụ bằng cách xoay bạc lót trước (36) theo hướng mũi tên cho đến khi dụng cụ có thể được tháo.

Hút Dăm/Bụi

Mặt bụi từ các vật liệu được sơn phủ ngoài có chứa chì trên một số loại gỗ, khoáng vật và kim loại có thể gây nguy hại đến sức khỏe con người. Dụng cụ chạm hay hít thở các bụi này có thể làm người sử dụng hay đứng gần bị dị ứng và/hoặc gây nhiễm trùng hệ hô hấp.

Một số mặt bụi cụ thể, ví dụ như bụi gỗ sồi hay đậu, được xem là chất gây ung thư, đặc biệt là có liên quan đến các chất phụ gia dùng xử lý gỗ (chất cromat, chất bảo quản gỗ). Có thể chỉ nên để thợ chuyên môn gia công các loại vật liệu có chứa amiăng.

- Cách xa ở mức có thể được, sử dụng hệ thống hút thích hợp cho loại vật liệu.
- Tạo không khí thông thoáng nơi làm việc.
- Khuyến nghị nên mang mặt nạ phòng độc có bộ lọc cấp P2.

Tuân thủ các qui định của quốc gia bạn liên quan đến loại vật liệu gia công.

- ▶ **Tránh không để rác tích tụ tại nơi làm việc.** Rác có thể dễ dàng bắt lửa.

Hút bụi bằng GDE 18V-16 (Phụ kiện) (xem hình K)

Để hút bụi đá và bê tông, cần phải có thiết bị hút GDE 18V-16 (phụ tùng).

Hệ thống hút bụi này không phù hợp với bụi gỗ, bụi kim loại, và bụi nhựa cũng như các loại bụi có hại khác (ví dụ amiăng).

Vận Hành

Bắt Đầu Vận Hành

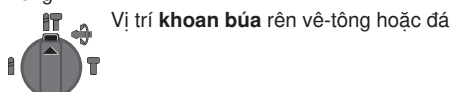
- ▶ Đảm bảo rằng nắp che (15) của *Bluetooth®* Low Energy Module GCY 42 được đóng kín khi vận hành. Như vậy bạn sẽ tránh được bụi xâm nhập.

Điều chỉnh chế độ vận hành

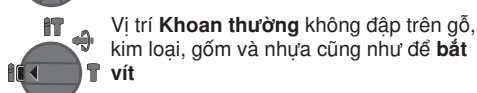
Bằng công tắc dừng xoay/dừng đập (17) hãy chọn chế độ vận hành của dụng cụ điện.

- Hãy nhấn nút mở khóa (16) để thay đổi chế độ vận hành và xoay công tắc dừng xoay/dừng đập (17) vào vị trí mong muốn, đến khi vào khớp.

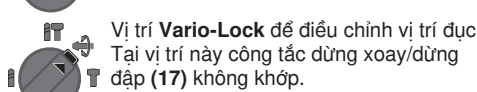
Hướng dẫn: Chỉ thay đổi chế độ vận hành khi dụng cụ điện tắt! Nếu không, máy có thể bị làm hỏng.



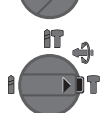
Vị trí **khoan búa** rên vè-tông hoặc đá



Vị trí **Khoan thường** không đập trên gỗ, kim loại, gốm và nhựa cũng như để **bắt vít**



Vị trí **Vario-Lock** để điều chỉnh vị trí đục
Tại vị trí này công tắc dừng xoay/dừng đập (17) không khớp.



Vị trí **đục**

Đảo Chiều Quay

Với gạc vận chuyển đổi chiều quay (10) bạn có thể thay đổi hướng xoay của dụng cụ điện. Tuy nhiên, việc này không thực hiện được khi công tắc Tắt/Mở được nhấn (12).

► Chỉ kích hoạt gạc vận chuyển đổi chiều quay (10) khi dụng cụ điện đã ngừng chạy.

Luôn luôn chỉnh đặt chiều quay để khoan búa, khoan thường và đục về chiều quay phải.

- **Quay phải:** Để khoan hay bắt vít, đẩy gạc vận chuyển đổi chiều quay (10) sang trái đến cỡ chặn.
- **Xoay ngược chiều kim đồng hồ:** Để nối lỏng hoặc tháo các vít và đai ốc hãy nhấn gạc vận chuyển đổi chiều quay (10) sang bên phải cho tới cỡ chặn.

Lưu ý: Nếu gạc vận chuyển đổi chiều quay ở vị trí chỉnh giữa, công tắc bật/tắt sẽ bị chặn.

Bật/tắt

- Để **bật** dụng cụ điện cầm tay, bạn hãy nhấn công tắc Tắt/Mở (12).

Hiện thị trạng thái

Đèn báo trạng thái nạp pin (Giao diện người dùng) (22)	Ý nghĩa/Nguyên nhân	Cách khắc phục
xanh lục (2 đến 5 vạch)	Pin được sạc	–
vàng (1 vạch)	Pin gần cạn	Thay hoặc sạc pin sớm
đỏ (1 vạch)	Bộ nguồn cạn điện	Thay hoặc sạc pin

Hiện thị trạng thái dụng cụ điện (29)	Ý nghĩa/Nguyên nhân	Cách khắc phục
Màu xanh lá	Trạng thái OK	–
Vàng	Đạt nhiệt độ tới hạn hoặc ắc quy gần cạn	Để nguội dụng cụ điện, thay hoặc sạc ắc quy

Đèn làm việc (18) bật sáng khi công tắc Tắt/Mở được nhấn nhẹ hoặc nhấn hết cỡ (12) và cho phép chiếu sáng khu vực làm việc ở các điều kiện chiếu sáng kém.

Khi mở máy để vận hành lần đầu tiên, sự khởi động có thể bị chậm lại vì hệ thống điện tử của dụng cụ điện phải tự định hình trước.

Đối với khi ở nhiệt độ thấp, máy đạt đến hết công suất búa/đập chỉ sau một khoảng thời gian nhất định.

- Để **tắt** dụng cụ điện, hãy nhả công tắc Tắt/Mở (12).

Chỉnh đặt Tốc độ/Tần suất Đập

Bạn có thể liên tục điều chỉnh tốc độ/tần suất đập của dụng cụ điện đang bật tùy theo mức độ bấm công tắc Tắt/Mở mạnh hay nhẹ (12).

Bấm nhẹ công tắc Tắt/Mở (12) sẽ cho tốc độ/tần suất đập thấp. Lực áp mạnh hơn lên công tắc làm tăng tốc độ và tần suất đập.

Bạn có thể điều chỉnh số vòng quay trên giao diện người dùng hoặc bằng ứng dụng Smartphone .

Thay Đổi Vị Trí Đục (Khóa nhiều vị trí)

Bạn có thể khóa mũi đục vào 40 các vị trí. Nhờ như vậy, ta có thể tạo tư thế thao tác tốt nhất cho từng ứng dụng.

- Lắp mũi đục vào trong ổ lắp dụng cụ.
- Vận công tắc dừng xoay/dừng đập (17) vào vị trí „Khóa nhiều vị trí“.
- Xoay phần lắp dụng cụ về vị trí đục theo yêu cầu.
- Vận công tắc dừng xoay/dừng đập (17) vào vị trí „Đục“. Giá đỡ dụng cụ được khóa.
- Để đục, chỉnh đặt chiều quay về chiều quay phải.

Giao diện người dùng (xem hình L)

Giao diện người dùng (8) dùng để chọn chế độ làm việc cũng như hiển thị tình trạng của dụng cụ điện.

Hiện thị trạng thái dụng cụ điện (29)	Ý nghĩa/Nguyên nhân	Cách khắc phục
Màu đỏ	Dụng cụ điện bị quá nhiệt hoặc ắc quy cạn	Để nguội dụng cụ điện, thay hoặc sạc ắc quy
Màu đỏ	Động cơ bị chặn, pin yếu	Sạc pin hoặc sử dụng kiểu pin được khuyến nghị
	Lỗi chung	– Tắt dụng cụ điện và bật lại hoặc tháo pin và lắp lại Nếu vẫn xuất hiện lỗi: – Hãy gửi dụng cụ điện tới bộ phận dịch vụ khách hàng
Nhấp nháy đỏ	Chế độ ngắt nhanh được kích hoạt	Tắt dụng cụ điện và bật lại
Nhấp xanh dương	Dụng cụ điện được kết nối với thiết bị đầu cuối di động qua <i>Bluetooth®</i> hoặc các cài đặt được truyền	–

Biểu tượng Smartphone (28)	Ý nghĩa/Nguyên nhân	Cách khắc phục
Trắng	Có các thông tin quan trọng (ví dụ cảnh báo nhiệt độ)	Hãy đọc thông báo trên Smartphone

Chọn chế độ làm việc

Hãy nhấn nút **(26)** liên tục để chọn chế độ làm việc cho đến khi chế độ làm việc do bạn mong muốn bật sáng.

Hướng dẫn: Trong chế độ làm việc **Favorite** các chức năng được cấu hình bằng ứng dụng Smartphone, trong các chế độ làm việc **Auto** và **Soft** các chức năng được thiết lập trước.

Hiện thị chế độ làm việc (25)	Chức năng
Auto Biểu tượng công suất tối đa (27) tắt	Trong chế độ làm việc Auto dụng cụ điện đạt được công suất tối đa với tốc độ khởi động tối đa.
Favorite Biểu tượng cấu hình tốc độ mỗi Smartphone (23) sáng lên	Trong chế độ làm việc Favorite có thể định cấu hình riêng công suất và tốc độ khởi động của dụng cụ điện mỗi ứng dụng Smartphone.
Soft Biểu tượng công suất giảm (24) tắt	Trong chế độ làm việc Soft , công suất và tốc độ khởi động của dụng cụ điện bị giảm.

Các chức năng kết nối

Các điều kiện của hệ thống để sử dụng ứng dụng

Các điều kiện của hệ thống

Thiết bị đầu cuối di động (Máy tính bảng, Điện thoại thông minh)

Android 6.0 (và cao hơn)
iOS 11 (và cao hơn)

Cài đặt và thiết lập ứng dụng

Để có thể sử dụng chức năng kết nối, trước hết bạn phải cài đặt ứng dụng – tùy theo thiết bị đầu cuối.

- Tải ứng dụng qua kho ứng dụng tương ứng (Apple App Store, Google Play Store).

Lưu ý: Cần phải có tài khoản người dùng ở kho ứng dụng tương ứng.

Tên ứng dụng	iOS	Android
Bosch Toolbox		

- Sau đó, chọn thuộc tính mục con **MyTools** hoặc **Connectivity** trong ứng dụng.
- Màn hình hiển thị của thiết bị đầu cuối di động cho biết các bước tiếp theo để kết nối dụng cụ điện với thiết bị đầu cuối.

Các chức năng kết nối sau đây với ứng dụng Bosch Toolbox của dụng cụ điện sẽ khả dụng khi kết hợp với *Bluetooth*® Low Energy Module **GCY 42**:

- Đăng ký
- Cá nhân hóa chế độ làm việc **Favorite** (Công suất và đặc tính)
- Cài đặt tại xưởng (ví dụ thời gian chạy của hệ thống hút bụi, thông số đèn làm việc)
- Kiểm tra trạng thái, phát các thông báo cảnh báo
- Các thông tin chung
- Quản lý

Để biết thông tin về *Bluetooth*® Low Energy Module **GCY 42**, hãy đọc hướng dẫn vận hành đi kèm.

Biểu tượng Smartphone (**28**) sáng lên, nếu dụng cụ điện gửi thông tin (ví dụ cảnh báo nhiệt độ) đến một thiết bị đầu cuối di động bằng công nghệ sóng vô tuyến *Bluetooth*®.

Kích hoạt chức năng Connectivity

► **Dụng cụ điện có *Bluetooth*® Low Energy Module được trang bị một giao diện sóng vô tuyến. Hãy chú ý các giới hạn địa điểm hoạt động ví dụ như trên máy bay hoặc bệnh viện.**

Hướng dẫn: Nắp che (**15**) chỉ có thể được đóng án toàn, nếu *Bluetooth*® Low Energy Module và pin cục áo ở trong dụng cụ điện.

- Để **hủy kích hoạt *Bluetooth*® Low Energy Module** hãy vận pin cục áo hoặc đặt lớp cách điện giữa pin cục áo và *Bluetooth*® Low Energy Module.
- Hãy đóng nắp che (**15**), để không cho bụi bẩn xâm nhập.

Hướng Dẫn Sử Dụng

Điều chỉnh độ sâu lỗ khoan (xem Hình M)

Nhờ chốt chặn độ sâu (**21**), bạn có thể xác định được độ sâu lỗ khoan **X** mong muốn.

- Bấm nút điều chỉnh cỡ định độ sâu (**19**) và điều chỉnh cỡ định độ sâu trên tay nắm phụ (**20**). Rãnh trên cỡ định độ sâu (**21**) phải hướng lên trên.
- Hãy đẩy dụng cụ gài SDS-plus vào khe cắm dụng cụ cho tới cỡ chặn (**3**). Nếu không, sự chuyển dịch của dụng cụ khoan SDS-plus có thể dẫn đến sự điều chỉnh sai độ sâu khoan.
- Kéo chốt chặn độ sâu ra xa sao cho khoảng cách giữa mũi khoan và đầu chốt chặn độ sâu phù hợp với độ sâu lỗ khoan mong muốn **X**.

Khớp Ly Hợp Chống Quá Tải

► **Nếu dụng cụ lắp trong máy bị kẹt hay kẹt, lực truyền động đến trục khoan bị ngăn lại. Luôn giữ chặt dụng cụ điện bằng hai tay và đứng vững vì khi dụng cụ hoạt động sẽ phát sinh lực.**

► **Hãy tắt dụng cụ điện và tháo dụng cụ gài nếu dụng cụ điện bị vướng. Khi mở máy mà dụng cụ ứng dụng bị kẹt cứng, lực xoắn vận cao có thể xảy ra.**

Chế độ ngắt nhanh (Kickback Control)



Chế độ ngắt nhanh (Kickback Control) sẽ cung cấp cách kiểm soát dụng cụ điện tốt hơn và qua đó làm tăng mức độ bảo vệ người dùng so với các dụng cụ điện không có Kickback Control. Ở những vòng quay đột ngột và không thể đoán trước của dụng cụ điện, dụng cụ điện sẽ tắt trục máy khoan, hiển thị ngắt nhanh sáng đỏ và đèn làm việc (**18**) nhấp nháy. Khi chế độ ngắt nhanh được kích hoạt, hiển thị trạng thái (**29**) nhấp nháy đỏ.

- Để **khởi động lại** hãy thả nút bật tắt (**12**) và nhấn lại lần nữa.

Bộ phận giảm chấn

MW Vibration control Bộ phận giảm chấn tích hợp sẽ giảm các rung động xuất hiện.

► **Không được tiếp tục sử dụng dụng cụ điện khi bộ phận giảm chấn đã bị hỏng.**

Lắp đầu chia vận vít (xem Hình N)

► **Chỉ đặt dụng cụ điện đã tắt lên đai ốc/vít.**

Dụng cụ đang quay có thể bị tuột ra.

Để sử dụng đầu chia vận vít bạn cần có phần lắp đầu gài phổ thông (**38**) với chuỗi tiếp hợp SDS-plus (Phụ kiện).

- Làm sạch cán chuỗi của chuỗi tiếp hợp và bôi một lớp mỏng dầu bôi trơn lên.
- Lắp phần lắp đầu gài phổ thông bằng động tác xoay vào trong phần lắp dụng cụ cho đến khi được tự động khóa lại.
- Kiểm tra hiệu quả khóa bằng cách kéo thử phần lắp đầu gài phổ thông ra.
- Lắp đầu gài vận vít vào trong phần lắp đầu gài phổ thông. Chỉ sử dụng đầu gài vận vít vừa với đầu vít.
- Để tháo phần lắp đầu gài phổ thông hãy đẩy vòng Khóa (**5**) ra phía sau và tháo phần lắp đầu gài phổ thông (**38**) ra khỏi phần lắp dụng cụ.

Treo dụng cụ điện (xem hình O)

Với móc treo (**13**) bạn có thể gắn chặt dụng cụ điện vào thiết bị treo phù hợp.

- Ấn nhanh vào móc treo (**13**) theo hướng tay cầm (**11**), để nới lỏng khóa giữ. Móc treo tự di chuyển ra sau.
 - Xoay móc treo sang bên.
 - Kiểm tra móc treo (**13**) xem có hư hỏng hoặc biến dạng không.
- Không sử dụng móc treo (**13**), nếu nó bị hư

hồng, biến dạng hoặc không còn gắn chặt trên dụng cụ điện..

- Hãy treo dụng cụ điện vào móc treo (13) tại thiết bị treo ổn định.

Để tránh hư hỏng hoặc thương tích, không được gắn thiết bị móc qua lối đi hoặc khu vực làm việc ở gần.

Móc treo chỉ được dùng để móc dụng cụ điện gồm phụ kiện được lắp.

- Hãy xoay móc treo (13) lùi lại và đẩy nó với lực nhẹ ra trước và xuống dưới vào vị trí khóa, nếu bạn làm việc với dụng cụ điện.

► Không sử dụng móc treo (13) làm thiết bị chống rơi.

Không gắn thiết bị chống rơi trên móc treo.

Gắn thiết bị chống rơi (xem hình P)

Hướng dẫn: Để cố định dụng cụ điện khỏi rơi, cần sử dụng một thiết bị chống rơi phù hợp với trọng lượng hệ thống (40). Chiều dài tối đa cho phép của thiết bị chống rơi là 1,8 m. Cần lưu ý vùng gắn được phups (39) trên dụng cụ điện.

Tốt nhất nên sử dụng vòng đai được gắn bằng nút neo để làm thiết bị chống rơi hoặc dùng thiết bị chống rơi với đệm.

Cần tuân thủ hướng dẫn điều khiển khi gắn thiết bị chống rơi (40).

- **Cần gắn mặt đối diện của thiết bị chống rơi vào một cấu trúc ổn định (ví dụ tòa nhà hoặc giàn giáo) và không tự gắn vào người dùng. Thiết bị chống rơi phải di chuyển tự do và chỉ được phép gắn vào điểm gắn cố định (41) và trong vùng gắn được phép (39) trên dụng cụ điện.**

Chọn một điểm gắn cố định (41) sao cho dụng cụ điện có thể rơi tự do vào khóa chống rơi nếu rơi ngã, mà không quán hoặc gây nguy hiểm cho người dùng.

Không sử dụng móc treo (13) làm thiết bị chống rơi.

Không gắn thiết bị chống rơi trên móc treo.

Không bao giờ sử dụng thiết bị chống rơi

trên dụng cụ điện có lắp hệ thống hút bụi

GDE 18V-16 hoặc GDE 16 Plus.

Bảo Dưỡng và Bảo Quản

Bảo Dưỡng Và Làm Sạch

- **Trước khi tiến hành bất cứ công việc gì với máy (ví dụ bảo dưỡng, thay dụng cụ v.v..) cũng như khi vận chuyển hay lưu kho, tháo pin ra khỏi dụng cụ điện.** Có nguy cơ gây thương tích khi vô tình làm kích hoạt công tắc Tắt/Mở.
- **Để được an toàn và máy hoạt động đúng chức năng, luôn luôn giữ máy và các khe thông gió được sạch.**

- **Thay chụp ngăn bụi bị hỏng ngay lập tức. Chúng tôi khuyến nghị việc thay thế này do một đại lý phục vụ hậu mãi thực hiện.**

- Hãy làm sạch phần lắp dụng cụ (3) sau khi dùng.

Dịch vụ hỗ trợ khách hàng và tư vấn sử dụng

Bộ phận phục vụ hàng sau khi bán của chúng tôi trả lời các câu hỏi liên quan đến việc bảo dưỡng và sửa chữa các sản phẩm cũng như phụ tùng thay thế của bạn. Sơ đồ mô tả và thông tin về phụ tùng thay thế cũng có thể tra cứu theo dưới đây:

www.bosch-pt.com

Đội ngũ tư vấn sử dụng của Bosch sẽ giúp bạn giải đáp các thắc mắc về sản phẩm và phụ kiện.

Trong tất cả các phản hồi và đơn đặt phụ tùng, xin vui lòng luôn luôn nhập số hàng hóa 10 chữ số theo nhãn của hàng hóa.

Việt Nam

CN CÔNG TY TNHH BOSCH VIỆT NAM TẠI TP.HCM

Tầng 14, Ngõ Nhà Đức, 33 Lê Duẩn

Phường Bến Nghé, Quận 1, Thành Phố Hồ Chí Minh

Tel.: (028) 6258 3690

Fax: (028) 6258 3692 - 6258 3694

Hotline: (028) 6250 8555

Email: tuvankhachhang-pt@vn.bosch.com

www.bosch-pt.com.vn

www.baohanhbosch-pt.com.vn

Xem thêm địa chỉ dịch vụ tại:

www.bosch-pt.com/serviceaddresses

Vận chuyển

Pin Li-Ion được khuyến nghị là đối tượng phải tuân theo các qui định của Pháp Luật về Hàng Hóa Nguy Hiểm. Người sử dụng có thể vận chuyển pin hợp khối bằng đường bộ mà không cần thêm yêu cầu nào khác.

Khi được vận chuyển thông qua bên thứ ba (vd. vận chuyển bằng đường hàng không hay đại lý giao nhận), phải tuân theo các yêu cầu đặc biệt về đóng gói và dán nhãn. Phải tham vấn chuyên gia về hàng hóa nguy hiểm khi chuẩn bị gói hàng.

Chỉ gửi pin hợp khối khi vỏ ngoài không bị hư hỏng. Dán băng keo hay che kín các điểm tiếp xúc hở và đóng gói pin hợp khối theo cách sao cho pin không thể xô dịch khi nằm trong bao bì. Ngoài ra, xin vui lòng chấp hành các qui định chi tiết có thể được bổ sung thêm của quốc gia.

Sự thải bỏ



Dụng cụ điện, pin, phụ kiện và bao bì cần được tái sử dụng theo quy định về môi trường.



Bạn không được ném dụng cụ điện và pin vào thùng rác gia đình!

Pin/ắc quy:

Li-ion:

Tuân thủ những hướng dẫn trong phần vận chuyển (xem „Vận chuyển“, Trang 92).

مخصص للاستعمال الخارجي من خطر الصدمات الكهربائية.

◀ **إن لم يكن بالإمكان تجنب تشغيل العدة الكهربائية في الأجواء الرطبة، فاستخدم مفتاح للوقاية من التيار المتخلف.** إن استخدام مفتاح للوقاية من التيار المتخلف يقلل خطر الصدمات الكهربائية.

أمان الأشخاص

◀ **كن يقظا وانتبه إلى ما تفعله واستخدم العدة الكهربائية بتعقل.** لا تستخدم عدة كهربائية عندما تكون متعبا أو عندما تكون تحت تأثير المخدرات أو الكحول أو الأدوية. عدم الانتباه للحظة واحدة عند استخدام العدة الكهربائية قد يؤدي إلى إصابات خطيرة.

◀ **قم لارتداء تجهيزات الحماية الشخصية. وارتد دائما نظارات واقية.** يعد ارتداء تجهيزات الحماية الشخصية، كقناع الوقاية من الغبار وأحذية الأمان الواقية من الانزلاق والوذو أو واقية الأذنين، حسب ظروف استعمال العدة الكهربائية، من خطر الإصابة بجروح.

◀ **تجنب التشغيل بشكل غير مقصود.** تأكد من كون العدة الكهربائية مطفأة قبل توصيلها بالتيار الكهربائي و/أو بالمركم، وقبل رفعها أو حملها. إن كنت تضع إصبعك على المفتاح أثناء حمل العدة الكهربائية أو إن وصلت الجهاز بالشبكة الكهربائية بينما لامفتاح على وضع التشغيل، قد يؤدي إلى وقوع الحوادث.

◀ **انزع أداة الضبط أو مفتاح الربط قبل تشغيل العدة الكهربائية.** قد تؤدي الأداة أو المفتاح المتواجد في جزء دوار من الجهاز إلى الإصابة بجروح.

◀ **تجنب أوضاع الجسم غير الطبيعية.** قف بأمان وحافظ على توازنك دائما. سيسمح لك ذلك بالتمكّن في الجهاز بشكل أفضل في المواقف الغير متوقعة.

◀ **قم بارتداء ثياب مناسبة.** لا ترتد الثياب الفضفاضة أو الملّية. احرص على إبقاء الشعر والملابس بعيدا عن الأجزاء المتحركة. قد تتشابك الثياب الفضفاضة والملّية والشعر الطويل بالأجزاء المتحركة.

◀ **إن جاز تركيب تجهيزات شفت وتجميع الغبار، فتأكد من أنها موصولة وبأنه يتم استخدامها بشكل سليم.** قد يقلل استخدام تجهيزات لشفط الغبار من المخاطر الناتجة عن الغبار.

◀ **لا تستخدم العدة الكهربائية بلا مبالاة وتجاهل قواعد الأمان الخاصة بها نتيجة لتعودك على استخدام العدة الكهربائية وكثرة استخدامها.** فقد يتسبب الاستخدام دون حرص في حدوث إصابة بالغة تحدث في أجزاء من الثانية.

حسن معاملة واستخدام العدد الكهربائية

◀ **لا تفرط بتحميل الجهاز. استخدم لتفنيذ أشغالك العدة الكهربائية المخصصة لذلك.** إنك تعمل بشكل أفضل وأكثر أماناً بواسطة العدة الكهربائية الملائمة في مجال الأداء المذكور.

◀ **لا تستخدم العدة الكهربائية إن كان مفتاح تشغيلها تالف.** العدة الكهربائية التي لم يعد من

عربي

إرشادات الأمان

الإرشادات العامة للأمان بالعدد الكهربائية

تحذير

اطلع على كافة تحذيرات الأمان والتعليمات والصور والمواصفات المرفقة بالعدة الكهربائية. عدم اتباع التعليمات الواردة أدناه قد يؤدي إلى حدوث صدمة كهربائية، إلى نشوب حريق و/أو الإصابة بجروح خطيرة.

احتفظ بجميع الملاحظات التحذيرية والتعليمات للمستقبل.

يقصد بمصطلح «العدة الكهربائية» المستخدم في الملاحظات التحذيرية، العدد الكهربائية الموصولة بالشبكة الكهربائية (بواسطة كابل الشبكة الكهربائية) وأيضا العدد الكهربائية المزودة بمركم (دون كابل الشبكة الكهربائية).

الأمان بمكان الشغل

◀ **حافظ على نظافة مكان شغلك وإضاءته بشكل جيد.** الفوضى في مكان الشغل ونطاقات العمل غير المضاءة قد تؤدي إلى وقوع الحوادث.

◀ **لا تشغل بالعدة الكهربائية في نطاق معرض لخطر الانفجار مثل الأماكن التي تتوفر فيه السوائل أو الغازات أو الأعبرة القابلة للاشتعال.** العدد الكهربائية تولد شررا قد يتطاير، فيشعل الأعبرة والأبخرة.

◀ **حافظ على بقاء الأطفال وغيرهم من الأشخاص بعيدا عندما تستعمل العدة الكهربائية.** تشتيت الانتباه قد يتسبب في فقدان السيطرة على الجهاز.

الأمان الكهربائي

◀ **يجب أن يتلائم قابس العدة الكهربائية مع المقبس.** لا يجوز تغيير القابس بأي حال من الأحوال. لا تستعمل القوابس المهائية مع العدد الكهربائية المؤرضة (ذات طرف أرضي). تخفّض القوابس التي لم يتم تغييرها والمقابس الملائمة من خطر الصدمات الكهربائية.

◀ **تجنب ملامسة جسمك للأسطح المؤرضة كالأنابيب والمبردات والمواقد أو التلّجات.** يزداد خطر الصدمات الكهربائية عندما يكون جسمك مؤرض أو موصل بالأرضي.

◀ **أبعد العدة الكهربائية عن الأمطار أو الرطوبة.** يزداد خطر الصدمات الكهربائية إن تسرب الماء إلى داخل العدة الكهربائية.

◀ **لا تسيّ استعمال الكابل.** لا تستخدم الكابل في حمل العدة الكهربائية أو سحبها أو سحب القابس من المقبس. احرص على إبعاد الكابل عن الحرارة والزيت والحواف الحادة أو الأجزاء المتحركة. تزيد الكابلات التالفة أو المتشابكة من خطر الصدمات الكهربائية.

◀ **عند استخدام العدة الكهربائية خارج المنزل اقتصر على استخدام كابلات التمديد الصالحة للاستعمال الخارجي.** يقلل استعمال كابل تمديد

- الممكن التحكم بها عن طريق مفتاح التشغيل والإطفاء تعتبر خطيرة ويجب أن يتم إصلاحها.
- ◀ **اسحب القابس من المقبس و/أو اخلع المرمك، إذا كان قابلاً للخلع، قبل ضبط الجهاز وقبل استبدال الملحقات أو قبل تخزين الجهاز.** تمنع هذه الإجراءات وقائية تشغيل العدة الكهربائية بشكل غير مقصود.
- ◀ **احتفظ بالعدد الكهربائية التي لا يتم استخدامها بعيداً عن متناول الأطفال.** لا تسمح باستخدام العدة الكهربائية لمن لا خبرة له بها أو لمن لم يقرأ تلك التعليمات. العدد الكهربائية خطيرة إن تم استخدامها من قبل أشخاص دون خبرة.
- ◀ **اعتن بالعدة الكهربائية والملحقات بشكل جيد.** تأكد أن أجزاء الجهاز المتحركة مركبة بشكل سليم وغير مستعصية عن الحركة، وتفحص ما إن كانت هناك أجزاء مكسورة أو في حالة تؤثر على سلامة أداء العدة الكهربائية. ينبغي إصلاح هذه الأجزاء التالفة قبل إعادة تشغيل الجهاز. الكثير من الموادث مصدرها العدد الكهربائية التي تتم صيانتها بشكل رديء.
- ◀ **احرص على إبقاء عدد القطع نظيفة وحادة.** إن عدد القطع ذات حواف القطع الحادة التي تم صيانتها بعناية تتكلم بشكل أقل ويمكن توجيهها بشكل أيسر.
- ◀ **استخدم العدد الكهربائية والتوابع وريش الشغل إلخ. وفقاً لهذه التعليمات. تراعى أثناء ذلك ظروف الشغل والعمل المراد تنفيذه.** استخدام العدد الكهربائية لغير الأشغال المخصصة لأجلها قد يؤدي إلى حدوث الحلات الخطيرة.
- ◀ **احرص على إبقاء المقابض وأسطح المسك جافة ونظيفة وخالية من الزيوت والشحوم.** المقابض وأسطح المسك الزلقة لا تتبع التشغيل والتحكم الآمن في العدة في المواقف غير المتوقعة.
- ◀ **حسن معاملة واستخدام العدد المزودة بمرمك اشحن المراكم فقط في أجهزة الشحن التي يُنصح باستخدامها من طرف المنتج.** قد يتسبب جهاز الشحن المخصصة لنوع معين من المراكم في خطر الحريق إن تم استخدامه مع نوع آخر من المراكم.
- ◀ **استخدم العدد الكهربائية فقط مع المراكم المصممة لهذا الغرض.** قد يؤدي استخدام المراكم الأخرى إلى إصابات وإلى خطر نشوب الحرائق.
- ◀ **حافظ على إبعاد المرمك الذي لا يتم استعماله عن مشابك الورق وقطع النقود المعدنية والمفاتيح والمسامير واللواكب أو غيرها من الأغراض المعدنية الصغيرة التي قد تقوم بتوصيل الملامسين ببعضهما البعض.** قد يؤدي تقصير الدارة الكهربائية بين ملامسي المرمك إلى الاحتراق أو إلى اندلاع النار.
- ◀ **قد يتسرب السائل من المرمك في حالة سوء الاستعمال.** تجنب ملامسته. اشطفه بالماء في حال ملامسته بشكل غير مقصود. إن وصل السائل إلى العينين، فراجع الطبيب إضافة إلى
- ذلك. قد يؤدي سائل المرمك المتسرب إلى تهيج البشرة أو إلى الاحتراق.
- ◀ **لا تستخدم عدة أو مرمك تعرضاً لأضرار أو للتعديل.** البطاريات المعرضة لأضرار أو لتعدلات قد ينتج عنها أشياء لا يمكن التنبؤ بها، قد تسبب نشوب حريق أو حدوث انفجار أو إصابات.
- ◀ **لا تعرض المرمك أو العدة للهب أو لدرجة حرارة زائدة.** التعرض للهب أو لدرجة حرارة أعلى من 130 °م قد يتسبب في انفجار.
- ◀ **اتبع تعليمات الشحن ولا تقم بشحن المرمك أو العدة خارج نطاق درجة الحرارة المحدد في التعليمات.** الشحن بشكل غير صحيح أو في درجات حرارة خارج النطاق الممدد قد يعرض المرمك لأضرار ويزيد من مخاطر الحريق.
- الخدمة**
- ◀ **احرص على إصلاح عدتك الكهربائية فقط بواسطة العمال المتخصصين وباستعمال قطع الغيار الأصلية فقط.** يضمن ذلك المحافظة على أمان الجهاز.
- ◀ **لا تقم بإجراء أعمال خدمة على المراكم التالفة.** أعمال الخدمة على المراكم يجب أن تقوم بها الجهة الصانعة فقط أو مقدم الخدمة المعتمد.
- إرشادات الأمان للمطابق**
- تعليمات الأمان لكافة التطبيقات**
- ◀ **احرص على ارتداء واقيات للأذنين.** التعرض للضوضاء قد يتسبب في فقدان السمع.
- ◀ **استخدم المقبض (المقابض) الإضافية إذا كانت العدة مزودة بها.** فقدان السيطرة على المعدة قد يتسبب في حدوث إصابات.
- ◀ **أمسك العدة الكهربائية من أسطح المسك المعزولة عند القيام بأعمال قد يترتب عليها ملامسة ملحق القطع أو أداة الربط لأسلاك كهربائية غير ظاهرة.** ملامسة ملحق القطع وأدوات الربط لسلك «مكهرب» قد يتسبب في مرور التيار في الأجزاء المعدنية من العدة وجعلها مكهربة مما قد يصيب المشغل بصدمة كهربائية.
- تعليمات الأمان عند استخدام ريش ثقب طويلة مع مطارق دوارة**
- ◀ **احرص دائماً على بدء الثقب بسرعة منخفضة بحيث تكون رأس الريشة ملامسة لقطعة الشغل.** فعلى السرعات العالية ستكون الريشة معرضة للثني في حالة دورانها بشكل حر دون لمس قطعة الشغل، مما قد يؤدي لوقوع إصابات.
- ◀ **لا تضغط إلا على خط واحد مع الريشة، ولا تضغط بشكل زائد.** فقد تنتهي الريش، وتعرض للكسر أو تسبب فقدان السيطرة، مما يؤدي لوقوع إصابات.
- إرشادات الأمان الإضافية**
- ◀ **استخدم أجهزة تنقيب ملائمة للعثور على خطوط الإمداد غير الظاهرة، أو استعن بشركة الإمداد المحلية.** ملامسة الخطوط الكهربائية قد تؤدي إلى اندلاع النار وإلى الصدمات الكهربائية. حدوث أضرار بخطر الغاز قد يؤدي إلى حدوث

الانفجار. لا تستخدم العدة الكهربائية المزودة بتقنية *Bluetooth* في الطائرات. تجنب التشغيل لمدة طويلة على مسافة قريبة من الجسم.

اسم ماركة *Bluetooth* وشعاراتها هي علامات تجارية مسجلة، وهي ملك لشركة *Bluetooth SIG, Inc.* أي استخدام لاسم الماركة/شعارها من قبل شركة *Robert Bosch Power Tools GmbH* يتم من خلال ترخيص.

وصف المنتج والأداء

اقرأ جميع إرشادات الأمان والتعليمات. ارتكاب الأخطاء عند تطبيق إرشادات الأمان والتعليمات، قد يؤدي إلى حدوث صدمات الكهربائية أو إلى نشوب الحرائق و/أو الإصابة بجروح خطيرة.



يرجى الرجوع إلى الصور الموجودة في الجزء الأول من دليل التشغيل.

الاستعمال المخصص

العدة الكهربائية مخصصة للثقب المرفق بالطرق في الخرسانة والطوب والحجر وأيضاً لإجراء أعمال النحت الخفيفة. كما أنها صالحة للثقب بلا دق في الخشب والمعادن والخزف والبلاستيك. وتصلح العدة الكهربائية المزودة بالتحكم الإلكتروني والدوران اليميني/اليساري لربط اللوالب أيضاً. يمكن نقل البيانات والإعدادات الخاصة بالعدة الكهربائية عندما يكون الموديل *Bluetooth Low Energy Module GCY 42* مستخدماً وذلك عن طريق تقنية *Bluetooth* اللاسلكية، حيث يتم النقل بين العدة الكهربائية والجهاز الجوال.

الأجزاء المصورة

يشير ترقيم الأجزاء المصورة إلى الصورة المعروضة للعدة الكهربائية في صفحة الرسوم.

- (1) ظرف المثقاب البديل سريع الشد (GBH 18V-28 CF)
- (2) ظرف المثقاب البديل SDS plus (GBH 18V-28 CF)
- (3) حاضن العدة SDS plus
- (4) غطاء الوقاية من الغبار
- (5) حلقة إقفال طرف المثقاب البديل
- (6) حلقة إقفال طرف المثقاب البديل (GBH 18V-28 CF)
- (7) كاتم الاهتزازات
- (8) واجهة المستخدم
- (9) زر فك إقفال المرمك^(a)
- (10) مفتاح تحويل اتجاه الدوران
- (11) مقبض (سطح قبض معزول)
- (12) مفتاح التشغيل والإطفاء
- (13) خطاف التعليق
- (14) المرمك^(a)
- (15) غطاء *Bluetooth*

انفجارات. اختراق خط الماء يتسبب في وقوع أضرار مادية.

انتظر إلى أن تتوقف العدة الكهربائية عن الحركة قبل أن تضعها جانباً. قد تتكلم عدة الشغل فتؤدي إلى فقدان السيطرة على العدة الكهربائية.

احرص على تأمين قطعة الشغل. قطعة الشغل المثبتة بواسطة تجهيزة شد أو بواسطة الملزمة مثبتة بأمان أكبر مما لو تم الإمساك بها بواسطة يدك.

قد تنطلق أبخرة عند تلف المرمك واستخدامه بطريقة غير ملائمة. يمكن أن يحترق المرمك أو يتعرض للانفجار. أمن توفر الهواء النقي وراجع الطبيب إن شعرت بشكوى. قد تهيج هذه الأبخرة المجاري التنفسية.

لا تفتح المرمك. يتشكل خطر تقصير الدائرة الكهربائية.

يمكن أن يتعرض المرمك لأضرار من خلال الأتربة المدببة مثل المسامير والمفكات أو من خلال تأثير القوى الخارجية. وقد يؤدي هذا إلى تقصير الدائرة الكهربائية الداخلية واحترق المرمك أو خروج الأدخنة منه أو انفجاره وتعرضه لسخونة مفرطة.

اقتصر على استخدام المرمك في منتجات الجهة الصانعة. يتم حماية المرمك من فُرط التخميل الخطير بهذه الطريقة فقط دون غيرها.

احرص على حماية المرمك من الحرارة، بما ذلك التعرض لأشعة الشمس باستمرار ومن النار والانساخ والماء والرطوبة. حيث ينشأ خطر الانفجار وخطر حدوث دائرة قصر.



لا تقم بلمس أدوات الشغل أو أجزاء جسم الجهاز الملاصقة لها بعد التشغيل مباشرة. فقد تعرض هذه الأجزاء للسخونة أثناء التشغيل، مما يعرضك للاحتراق في حالة لمسها.

قد تتعرض أداة الشغل للإعاقة أثناء عملية الثقب. احرص على أن تكون في وضعية ثابتة، وأمسك الجهاز جيداً بكلتا يديك. وإلا فقد تفقد السيطرة على العدة الكهربائية.

كن حذراً أثناء أعمال الهدم باستخدام الأزميل. قد تتسبب قطع التكسير المتساقطة في إصابة الأشخاص المحيطين بك أو إصابتك أنت نفسك.

أمسك العدة الكهربائية جيداً بكلتا اليدين عند العمل، واحرص على أن تكون في وضعية ثابتة. يتم توجيه العدة الكهربائية بأمان بواسطة اليدين اللتين.

احترس! عند استخدام العدة الكهربائية المزودة بتقنية *Bluetooth* قد يتسبب هذا في حدوث تشويش على الأجهزة والأنظمة والطائرات والأجهزة الطبية الأخرى (على سبيل المثال منظم ضربات القلب، السماعات الطبية). كما لا يمكن أيضاً استبعاد حدوث أضرار للأشخاص أو الحيوانات المتواجدين في النطاق القريب. لا تستخدم العدة الكهربائية المزودة بتقنية *Bluetooth* بالقرب من الأجهزة الطبية ومحطات التزود بالوقود ومصانع الكيماويات والمناطق التي يتهددها خطر

(32)	ساق حوضن SDS plus لظرف ريش الثقب (GBH 18V-28 C) ^a	(16)	زر تحرير مفتاح إيقاف الدق/الدوران
(33)	حاضن ظرف المثقاب (GBH 18V-28 CF)	(17)	مفتاح إيقاف الدق/الدوران
(34)	حزوز التعيين	(18)	ضوء العمل
(35)	مفتاح ظرف ريش الثقب (GBH 18V-28 C)	(19)	زر ضبط محدد العمق
(36)	الجلبة الأمامية لظرف المثقاب البديل سريع الشد (GBH 18V-28 CF)	(20)	مقبض إضافي (سطح قبض معزول)
(37)	حلقة تثبيت ظرف المثقاب البديل سريع الشد (GBH 18V-28 CF)	(21)	محدد العمق
(38)	حامل شامل مع ساق حوضن SDS plus ^a	(22)	مبين حالة شحن المركم (واجهة المستخدم)
(39)	نطاق تثبيت وسيلة التأمين ضد السقوط في العدة الكهربائية	(23)	رمز تهيئة عدد اللفات بواسطة تطبيق الهاتف الذكي (واجهة المستخدم)
(40)	وسيلة التأمين ضد السقوط ^b	(24)	رمز القدرة المخفضة (واجهة المستخدم)
(41)	نقطة ارتكاز ثابتة لوسيلة التأمين ضد السقوط ^b	(25)	مبين أوضاع العمل (واجهة المستخدم)
	(a) لا يتضمن إطار التوريد الاعتيادي التوابع المصورة أو المشروحة. تجد التوابع الكاملة في برنامجنا للتوابع.	(26)	زر اختيار وضع العمل (واجهة المستخدم)
	(b) لا يتضمن إطار التوريد أو برنامج توابع Bosch التوابع المصورة أو الموصوفة.	(27)	رمز أقصى قدرة (واجهة المستخدم)
		(28)	رمز الهاتف الذكي (واجهة المستخدم)
		(29)	بيان حالة العدة الكهربائية (واجهة المستخدم)
		(30)	لولب تأمين ظرف المثقاب المسنن الطوق (GBH 18V-28 C) ^a
		(31)	ظرف المثقاب المسنن الطوق (GBH 18V-28 C) ^a

البيانات الفنية

GBH 18V-28 CF	GBH 18V-28 C	مطرقة ثقب عاملة بمركم	رقم الصنف
3611 J21 0..	3611 J20 0..		
●	●		التحكم بعدد اللفات
●	●		إيقاف الدوران
●	●		دوران يميني/يساري
●	-		ظرف المثقاب البديل
18	18	فلط=	الجهد الاسمي
4220-0	4220-0	min ⁻¹	عدد الطرقات ^A
3,3	3,3	جول	قوة الطرقة المفردة حسب EPTA-Procedure 05:2016
			عدد اللفات للاحملي ^A
0-950	0-950	لفة/ دقيقة	- دوران جهة اليمين
0-950	0-950	لفة/ دقيقة	- دوران جهة اليسار
SDS plus	SDS plus		حاضن العدة
50	50	مم	قطر عنق محور الدوران
			قطر الثقب الأقصى:
28	28	مم	- الخرسانة
82	82	مم	- الجدران (طربوش ثقب مجوف)
13	13	مم	- فولاذ
30	30	مم	- خشب
3,4	3,3	كجم	الوزن دون المركم
3,8-4,8	3,7-4,7	كجم	الوزن حسب EPTA-Procedure 01:2014
378	349	مم	الطول
225	225	مم	الارتفاع

مطرقة ثقب عاملة بمركم		GBH 18V-28 C	GBH 18V-28 CF
العرض	مم	92	92
درجة الحرارة المحيطة الموصى بها عند الشحن	°م	35+ ... 0	35+ ... 0
درجة الحرارة الخارجية المسموح بها عند التشغيل ^(B) وعند التخزين	°م	50+...15-	50+...15-
المركم المتوافقة		GBA 18V... ProCORE18V...	GBA 18V... ProCORE18V...
المركم الموصى بها		GBA 18V... 5.0 ≤ أمبير ساعة ProCORE18V... 4.0 ≤ أمبير ساعة	GBA 18V... 5.0 ≤ أمبير ساعة ProCORE18V... 4.0 ≤ أمبير ساعة
أجهزة الشحن الموصى بها		GAL 18... GAX 18... GAL 36...	GAL 18... GAX 18... GAL 36...

(A) مقياس عند درجة حرارة 20-25 °م مع مركم ProCORE18V 4.0Ah
(B) قدرة محدودة في درجات الحرارة > 0 °م

قد تختلف القيم حسب المنتج وظروف الاستخدام والبيئة. المزيد من المعلومات على موقع الإنترنت www.bosch-professional.com/wac.

إذا لم يضيئ أي مصباح دايمود بعد الضغط على زر مبيّن حالة الشحن، فهذا يعني أن المركم تالف ويجب تغييره.

تتم الإشارة إلى حالة شحن المركم في واجهة المستخدم مبيّنات الحالة.

نوع المركم GBA 18V...



السعة	لمبة LED
100-60 %	ضوء مستمر 3 × أخضر
60-30 %	ضوء مستمر 2 × أخضر
30-5 %	ضوء مستمر 1 × أخضر
5-0 %	ضوء وماض 1 × أخضر

نوع المركم ProCORE18V...



السعة	لمبة LED
100-80 %	ضوء مستمر 5 × أخضر
80-60 %	ضوء مستمر 4 × أخضر
60-40 %	ضوء مستمر 3 × أخضر
40-20 %	ضوء مستمر 2 × أخضر
20-5 %	ضوء مستمر 1 × أخضر
5-0 %	ضوء وماض 1 × أخضر

ملاحظات للتعامل مع المركم بطريقة مثالية

قم بحماية المركم من الرطوبة والماء.
لا تقم بتخزين المركم إلا في نطاق درجة حرارة يقع بين 20-°م وحتى 50°م. لا تترك المركم في السيارة في فصل الصيف مثلاً.

مركم

تبيع شركة Bosch العدد الكهربائي العاملة بمركم دون مركم أيضاً. يمكنك أن تعرف من العبوة ما إذا كان المركم موجود ضمن مجموعة التجهيزات الموردة مع العدة الكهربائية الخاصة بك.

شحن المركم

◀ **اقتصر على استخدام أجهزة الشحن المذكورة في المواصفات الفنية.** أجهزة الشحن هذه دون غيرها هي المتوافقة مع مركم أيونات الليثيوم المستخدم في عدتك الكهربائية.

ملحوظة: يتم تسليم مركم أيونات الليثيوم مشحونة جزئياً وفقاً للوائح النقل الدولية. لضمان قدرة أداء المركم الكاملة، يتوجب شحن المركم بشكل كامل قبل الاستعمال لأول مرة.

تركيب المركم

أدخل المركم المشحون في موضع تثبيت المركم إلى أن يثبت بشكل ملموس.

نزع المركم

لخلع المركم اضغط على زر تحرير المركم وأخرج المركم. **لا تستخدم القوة أثناء ذلك.**

يمتاز المركم بدرجتي إقفال اثنتين، تمنعان سقوط المركم للخارج في حال ضغط زر فك إقفال المركم بشكل غير مقصود. يتم تثبيت المركم بواسطة نابض ما دام مركباً في العدة الكهربائية.

مبيّن حالة شحن المركم

تشير مصابيح الدايمود الخضراء الخاصة بمبيّن حالة شحن المركم لحالة شحن المركم. لأسباب تتعلق بالسلامة فإنه لا يمكن الاستعلاء عن حالة الشحن إلا والعدة الكهربائية متوقفة.

اضغط على زر مبيّن حالة الشحن ⊕ أو ⊖ لعرض حالة الشحن. يمكن هذا أيضاً والمركم مخرج.

استبدال طرف ريش الثقب

تركيب/ فك طرف المثقاب المسنن الطوق

GBH 18V-28 C

لكي تتمكن من استخدام العدد دون SDS-plus (مثلاً، لقم تثقيب بساق أسطوانية)، يجب عليك تركيب طرف مثقاب مناسب (طرف المثقاب المسنن الطوق أو طرف ريش الثقب سريع الربط).

تركيب طرف المثقاب المسنن الطوق (انظر

الصورة B)

- قم بربط ساق حوض (32) SDS-plus في طرف المثقاب المسنن الطوق (31). قم بتأمين طرف المثقاب المسنن الطوق (31) باستخدام لولب التأمين (30). لاحظ أن لولب التأمين لديه قلاووظ أيسر.

تركيب طرف المثقاب المسنن الطوق (انظر

الصورة B)

- نظف طرف إدخال ساق الحوض وشحمه قليلاً.
- لقم طرف المثقاب المسنن الطوق مع ساق الحوض في حوض العدد مع فتله إلى أن يتم إقفاله من تلقاء نفسه.
- افحص ثبات الإقفال من خلال سحب طرف المثقاب المسنن الطوق.

خلع طرف المثقاب المسنن الطوق

- ادفع لبيسة الإقفال (5) إلى الخلف واخلع طرف المثقاب المسنن الطوق (31).

نزع/تقديم طرف المثقاب البديل

GBH 18V-28 CF

خلع طرف المثقاب البديل (انظر الصورة C)

- اسحب حلقة إقفال طرف المثقاب البديل (6) إلى الخلف، وأمسك بها في هذا الوضع واخلع طرف المثقاب البديل (2) SDS-plus أو طرف المثقاب البديل السريع الشد (1) بسمبه إلى الأمام.
- تراعى حماية طرف المثقاب البديل من الاتساخ بعد نزعه.

تركيب طرف المثقاب البديل (انظر الصورة D)

◀ اقتصر على استخدام التجهيزات الأصلية

الخاصة بالموديلات المختلفة وانتبه لعدد

حزوز التعيين (34). يجوز فقط استخدام طرف

المثقاب البديل به حزي تعيين أو ثلاثة. في حالة استخدام طرف مثقاب بديل غير مناسب يمكن أن تسقط عدة الشغل أثناء التشغيل.

- نظف طرف المثقاب البديل قبل تركيبه وشحم طرف الإدخال قليلاً.
- اقبض على طرف المثقاب البديل SDS-plus (2) أو على طرف المثقاب البديل السريع الشد (1) بتطويقه بكامل اليد. ادفع طرف المثقاب البديل على حوض طرف المثقاب (33)، أثناء إدارته، إلى أن تسمع صوت التعاشق بوضوح.
- يقفل طرف المثقاب البديل من تلقاء نفسه.
- تفحص ثبات الإقفال من خلال سحب طرف المثقاب البديل.

استبدال العدد

يعمل غطاء الوقاية من الغبار (4) على منع دخول غبار الثقب إلى حوض العدد أثناء الاستخدام. احرص

نظف فتحات التهوية بالمركم من فترة لأخرى، بواسطة فرشاة طرية ونظيفة وجافة.

إذا انخفضت فترة التشغيل بعد الشحن بدرجة كبيرة فهذا يعني أن المركم قد استهلك وأنه يجب استبداله.
تراعى الإرشادات عند التخلص من العدد.

التركيب

◀ انزع المركم عن العدة الكهربائية قبل إجراء أي أعمال بالعدة الكهربائية (مثلاً: الصيانة، استبدال العدد وإلخ.) وأيضاً عند نقلها أو تخزينها. هناك خطر إصابة بجروح عند الضغط على مفتاح التشغيل والإطفاء بشكل غير مقصود.

استخدام الموديول Bluetooth® Low Energy Module

GCY 42

(ملحق تكميلي)

للمعلومات حول الموديول

Bluetooth® Low Energy Module

GCY 42

اقرأ دليل الاستعمال المعني.

مقبض إضافي

◀ استخدم العدة الكهربائية فقط مع المقبض الإضافي (20).

◀ تأكد دائماً أن المقبض الإضافي مربوط

بإحكام. وإلا فقد تفقد السيطرة على العدة الكهربائية في أي وقت أثناء العمل.

تحريك المقبض الإضافي (انظر الصورة A)

يمكنك تحريك المقبض الإضافي (20) كما تريد للوصول إلى وضع عمل آمن ومريح.

- أدر قطعة المقبض السفلية بالمقبض الإضافي (20) عكس اتجاه عقارب الساعة وحرك المقبض الإضافي (20) إلى الوضع المرغوب. أدر قطعة القبض السفلية بالمقبض الإضافي (20) بعد ذلك في اتجاه حركة عقارب الساعة بإحكام.
انتبه إلى دخول سير شد المقبض الإضافي في الحز المخصص له بالهيكل.

اختيار طرف ريش الثقب والعدد

لأعمال التثقيب المرفق بالطرق والنمت تحتاج إلى عدد SDS-plus التي يتم تركيب طرف ريش الثقب فيها.

من أجل الثقب دون دق في الخشب والمعادن والخزف واللداين وأيضاً لربط اللوالب تستخدم العدد دون SDS-plus (مثلاً: لقم تثقيب بساق أسطوانية). إنك بحاجة إلى طرف ريش الثقب السريع الشد أو لطرف ريش الثقب المسنن الطوق من أجل هذه العدد.

- أمسك بحلقة قبض (37) ظرف المثقاب البديل سريع الشد بإحكام. افتح حاضن العدة من خلال إدارة الجلبة الأمامية (36) إلى الحد الذي يسمح بتركيب العدة. أمسك بحلقة القبض (37) بإحكام وأدر الجلبة الأمامية (36) بقوة باتجاه السهم، إلى أن تسمع صوت القابض الكلابي بوضوح.
- تفحص إحكام الثبات من خلال سحب العدة.
- ملحوظة:** إن تم فتح حاضن العدة حتى النهاية، فقد تسمع صوت تعاشق القابض الكلابي أثناء تدوير حاضن العدة لإغلاقه ولن يغلظ حاضن العدة.
- في هذه الحالة أدر الجلبة الأمامية مرة واحدة بعكس اتجاه عقارب الساعة. يمكن إغلاق حاضن العدة بعد ذلك.
- أدر مفتاح إيقاف الطرق/إيقاف الدوران (17) إلى وضع «الثقب».

فك عدة الشغل (انظر الصورة J)

- أمسك بحلقة قبض (37) ظرف المثقاب البديل سريع الشد بإحكام. افتح حاضن العدة من خلال إدارة الجلبة الأمامية (36) باتجاه السهم، إلى الحد الذي يسمح بخلع العدة.

شفط الغبار/النشارة

- إن غبار بعض المواد كالطلاء الذي يحتوي على الرصاص، وبعض أنواع الخشب والفلاتر والمعادن، قد تكون مضرّة للصحة. إن ملامسة أو استنشاق غبار قد يؤدي إلى أعراض حساسية و/أو إلى أمراض الجهاز التنفسي لدى المستخدم أو لدى الأشخاص المتواجدين على مقربة من المكان.
- تعتبر بعض الأعبرة المعبنة، كأعبرة البلوط والزنان، مسببة للسرطان، ولا سيما عند الارتباط بالمواد الإضافية لمعالجة الخشب (ملح حامض الكروميك، المواد الحافظة للخشب). يجوز أن يتم معالجة المواد التي تحتوي على الأيسبتوس من قبل العمال المتخصصين فقط دون غيرهم.
- استخدم شاقطة غبار ملائمة للمادة قدر الإمكان.
- حافظ على تهوية مكان الشغل بشكل جيد.
- ينصح بارتداء قناع ووقاية للتنفس بفتة المرشح P2.
- تراعى الأحكام السارية في بلدكم بالنسبة للمواد المرغوب معالجتها.
- ◀ **تجنب تراكم الغبار بمكان العمل.** يجوز أن تشتعل الأعبرة بسهولة.

شفط الغبار باستخدام الجهاز GDE 18V-16 (التوايح) (انظر الصورة K)

- لشفط غبار الخرسانة والحجارة يلزم استخدام الجهاز GDE 18V-16 (الملحقات).
- نظام الشفط هذا غير مناسب لغبار الخشب والمعدن والبلاستيك والغبار المضر بالصحة (على سبيل المثال الإيسبتوس).

التشغيل

بدء التشغيل

- ◀ احرص على أن يكون الغطاء (15) الخاص بالموديول Bluetooth *Low Energy Module الخاص

- أثناء استخدام العدة الكهربائية على عدم حدوث أضرار بغطاء الوقاية من الغبار (4).
- ◀ **يجب تغيير غطاء الوقاية من الغبار التالف على الفور.** وينصح أن يتم ذلك من قبل مركز خدمة العملاء.

استبدال العدد (SDS-plus)

- تركيب عدة الشغل SDS plus (انظر الصورة E)**
- مع ظرف ريش الثقب SDS-plus يمكنك تغيير عدة الشغل بكل سهولة وراحة دون استخدام عدد إضافية.

- GBH 18V-28 CF: قم بتركيب ظرف المثقاب البديل SDS-plus (2).

- نظف طرف الإدخال بعبدة الشغل وشحمه قليلاً.
- قم بتركيب عدة الشغل في حاضن العدة أثناء إدارتها إلى أن تعاشق من تلقاء نفسها.
- افحص ثبات الإقفال من خلال جذب العدة.
- تكون عدة الشغل SDS-plus حرة الحركة وفقاً لتصميم النظام. مما يؤدي إلى انحراف دوراني عند التشغيل بلا حمل. لا يؤثر ذلك على دقة الثقب، لأن لقمة الثقب تتركز من تلقاء نفسها أثناء الثقب.

فك عدة الشغل SDS-plus (انظر الصورة F)

- ادفع لبيسة الإقفال (5) إلى الخلف وانزع عدة الشغل.

استبدال العدد، ظرف ريش الثقب مسنن الطوق

GBH 18V-28 C

تركيب عدة الشغل (انظر الصورة G)

- إرشاد:** لا تستخدم عدد الشغل دون SDS-plus في أعمال التثقيب المرفق بالطرق أو النحت. ستعرض كل من العدد دون خاصية SDS-plus وظرف ريش الثقب الخاص بها لأضرار أثناء الثقب المرفق بالطرق أو النحت.

- قم بتركيب ظرف المثقاب المسنن الطوق (31).
- افتح ظرف المثقاب المسنن الطوق (31) من خلال إدارته إلى أن تتمكن من تلميم العدة. قم بتركيب العدة.

- ثبت مفتاح ظرف ريش الثقب (35) في الفجوات المخصصة بظرف ريش الثقب المسنن الطوق (31) وأحكام شد العدة بشكل متوازن.

- أدر مفتاح إيقاف الطرق/إيقاف الدوران (17) إلى وضع «الثقب».

فك عدة الشغل (انظر الصورة H)

- أدر جلبة ظرف المثقاب المسنن الطوق (31) من خلال تحريك مفتاح ظرف ريش الثقب (35) عكس اتجاه عقارب الساعة حتى تتمكن من فك عدة الشغل.

استبدال ظرف المثقاب البديل سريع الشد

GBH 18V-28 CF

تركيب عدة الشغل (انظر الصورة I)

- إرشاد:** لا تستخدم عدد الشغل دون SDS-plus في أعمال التثقيب المرفق بالطرق أو النحت. ستعرض كل من العدد دون خاصية SDS-plus وظرف ريش الثقب الخاص بها لأضرار أثناء الثقب المرفق بالطرق أو النحت.

- قم بتركيب ظرف المثقاب البديل السريع الشد (1).

ملحوظة: عند ضبط مفتاح تحويل اتجاه الدوران في الوضع الأوسط تتم إعاقة حركة مفتاح التشغيل والإطفاء.

التشغيل والإطفاء

- لغرض **تشغيل** العدة الكهربائية اضغط على مفتاح التشغيل والإطفاء (12).

يضيء مصباح العمل (18) عند الضغط على مفتاح التشغيل والإطفاء (12) بشكل جزئي أو كامل ويسمح بإضاءة مكان الشغل إن كانت ظروف الإضاءة غير ملائمة.

قد تكون هناك مماثلة بالتشغيل عند تشغيل العدة الكهربائية للمرة الأولى، إذ ينبغي أن يقوم النظام الإلكتروني بالعدة الكهربائية بتشكيل نفسه أولاً. لا تتوصل العدة الكهربائية إلى قدرة الطرق/قدرة الدق الكاملة عندما تكون درجات الحرارة منخفضة إلا بعد فترة زمنية معينة.

- لغرض **إطفاء** العدة الكهربائية اترك مفتاح التشغيل والإطفاء (12).

ضبط عدد اللفات/عدد الطرقات

يمكنك أن تتحكم بعدد اللفات/عدد الطرقات بالعدة الكهربائية قيد التشغيل دون تدريج، حسب مدى الضغط على مفتاح التشغيل والإطفاء (12).

يؤدي الضغط الخفيف على مفتاح التشغيل والإطفاء (12) إلى عدد لفات/طرقات منخفض. ويرتفع عدد اللفات/الطرقات بزيادة الضغط.

يمكنك التحكم في عدد اللفات أيضاً من خلال واجهة المستخدم أو تطبيق الهاتف الذكي.

تغيير وضع الإزميل (إقفال - تغيير)

يمكنك تثبيت الإزميل في أوضاع 40. ويمكنك بذلك أن تتخذ وضعية الشغل الأنسب في كل حالة.

- ركب الإزميل في حاضن العدة.

- أدر مفتاح إيقاف الدق/إيقاف الدوران (17) إلى وضع „Vario-Lock“ (القفل المتغير).

- أدر عدة الشغل إلى وضع الإزميل المرغوب.

- أدر مفتاح إيقاف الدق/إيقاف الدوران (17) إلى وضع "النحت". يتم إقفال حاضن العدة بذلك.

- اضبط اتجاه الدوران من أجل النحت في وضع الدوران اليميني.

واجهة المستخدم (انظر الصورة L)

تتلخص وظيفة واجهة المستخدم (8) في اختيار وضع التشغيل وبيان حالة العدة الكهربائية.

GCY 42 مغلق أثناء التشغيل. وبذلك تتجنب دخول الغبار.

ضبط نوع التشغيل

اختر باستخدام مفتاح إيقاف الطرق/الدوران (17) نوع تشغيل العدة الكهربائية.

- اضغط على زر التحرير (16) لتغيير نوع التشغيل وأدر مفتاح إيقاف الدق/إيقاف الدوران (17) إلى الوضع المرغوب إلى أن يتعاشق بصوت مسموع.

إرشاد: قم بتغيير نوع التشغيل فقط عندما تكون العدة الكهربائية مطفاة. وإلا، فقد يتم إتلاف العدة الكهربائية.

وضع **الثقب المرفق بالطرق** في الخرسانة والحجر



وضع **الثقب** دون طرق في الخشب والمعادن والخزف واللدائن وأيضاً لغرض **ربط اللوالب**



وضع **القفل المتغير Vario-Lock** لضبط وضع النحت في هذا الوضع لا يتعاشق مفتاح إيقاف الدق/إيقاف الدوران (17).



وضع **النحت**



ضبط اتجاه الدوران

يمكنك أن تغير اتجاه دوران العدة الكهربائية (10) بواسطة مفتاح تغيير اتجاه الدوران. إلا أنه لا يمكن تغييره عندما يكون مفتاح التشغيل والإطفاء (12) مضغوطة.

◀ **لا تضغط على مفتاح تحويل اتجاه الدوران (10) إلا والعدة الكهربائية متوقفة.**

اضبط اتجاه الدوران دائماً على الدوران اليميني من أجل الثقيب المرفق بالطرق والثقيب والنحت.

- **دوران يميني:** للثقب ولربط اللوالب، اضغط على مفتاح تحويل اتجاه الدوران (10) إلى اليسار حتى النهاية.

- **دوران إلى اليسار:** لحل أو فك اللوالب والصواميل اضغط مفتاح تغيير اتجاه الدوران (10) إلى اليمين حتى المصدر.

مبيئات الحالة

الحل	المعنى/السبب	مبين حالة شحن المرمك (واجهة المستخدم) (22)
-	المرمك مشحون	أخضر (شريطان إلى 5 شطرات)
قرب تغيير أو شحن المرمك	شحنة المرمك على وشك النفاد	باللون الأصفر (شرطة واحدة)
تغيير أو شحن المرمك	المرمك فارغ	أحمر (شرطة واحدة)

الحل	المعنى/السبب	مبين حالة العدة الكهربائية (29)
-	الحالة على ما يرام	أخضر
اترك العدة الكهربائية تبرد وقم بتغيير أو شحن المركم	تم الوصول إلى مستوى حرج لدرجة الحرارة أو شحن المركم على وشك النفاذ	أصفر
اترك العدة الكهربائية تبرد وقم بتغيير أو شحن المركم	العدة الكهربائية ساخنة للغاية أو المركم فارغ الشحن	أحمر
شحن المركم أو استخدام نوع المركم الموصى به	إعاقه المحرك، المركم ضعيف للغاية	أحمر
- قم بتشغيل العدة الكهربائية وأطفائها مرة أخرى، أو أخرج المركم وأعد تركيبه إذا استمر حدوث الخطأ: - قم بإرسال العدة الكهربائية لخدمة العملاء	خطأ عام	
قم بتشغيل العدة الكهربائية وأطفائها مرة أخرى	انطلقت خاصية الإطفاء السريع	يومض باللون الأحمر
-	ربط العدة الكهربائية عن طريق Bluetooth® مع هاتف جوال أو يتم نقل أوضاع الضبط	وميض باللون الأزرق

الحل	المعنى/السبب	رمز الهاتف الذكي (28)
	هناك معلومات هامة متاحة (على سبيل قراءة بلاغ الهاتف الذكي المثال، تحذير درجة الحرارة)	أبيض

إرشاد: في وضع العمل **Favorite** يتم تهيئة الوظائف عن طريق تطبيق الهاتف الذكي، في أوضاع العمل **Auto** و **Soft** تكون الوظائف مضبوطة مسبقاً.

اختيار وضع العمل
كرر الضغط على الزر (26) لاختيار وضع العمل، إلى أن يضيء وضع العمل المرغوب.

الوظائف	بيان وضع العمل (25)
في وضع العمل Auto تصل العدة الكهربائية إلى القدرة القصوى بأقصى سرعة دوران مرتفعة.	Auto يضيء رمز أقصى قدرة (27)
في وضع العمل Favorite يمكن تهيئة القدرة وسرعة الدوران المرتفعة للعدة الكهربائية بشكل شخصي بواسطة تطبيق الهاتف الذكي.	Favorite يضيء رمز تهيئة عدد اللفات بواسطة تطبيق الهاتف الذكي (23)
في وضع العمل Soft يتم تخفيض القدرة وسرعة الدوران المرتفعة للعدة الكهربائية.	Soft يضيء رمز القدرة المخفضة (24)

إرشاد: يشترط إنشاء حساب مستخدم في متجر التطبيقات المعني.

اسم التطبيق	نظام iOS	نظام أندرويد
تطبيق Bosch Toolbox		

- ثم اختر داخل التطبيق البند الفرعي **MyTools** أو **Connectivity**.

وظائف الربط

اشتراطات النظام لاستخدام التطبيق

متطلبات النظام
الجهاز الجوال (تابلت، نظام أندرويد 6.0 (وأعلى) هاتف ذكي) نظام iOS 11 (وأعلى)

تثبيت التطبيق وتنصيبه

لإستخدام وظائف الإتصال عليك أولاً تثبيت التطبيق، وفقاً للجهاز المستخدم.
- قم بتنزيل التطبيق عن طريق متجر تطبيقات مناسب (Apple App Store, Google Play Store).

العدة الكهربائية دائما بكلتا اليدين بإحكام وقف بثبات بسبب القوى الناتجة عن ذلك. اطفئى العدة الكهربائية وقم بحل عدة الشغل عند انحصار العدة الكهربائية. تتشكل عزم رد فعل عالية عند تشغيل عدة ثقب مستقيمة.

خاصية الإطفاء السريع (وظيفة Kickback Control)

تتبع خاصية الإطفاء السريع (KickBack Control) تحكما أفضل في العدة الكهربائية وتزيد من درجة حماية المستخدم مقارنة بالعدة الكهربائية غير المزودة بوظيفة KickBack Control. في حالة الدوران المفاجئ وغير المتوقع للعدة الكهربائية حول محور الثقب تنطفئ العدة الكهربائية، ويضيء مبيّن خاصية الإطفاء السريع باللون الأحمر ويومض ضوء العمل (18). في حالة تفعيل خاصية الإطفاء السريع يومض مبيّن الحالة (29) باللون الأحمر.



- لغرض إعادة التشغيل اترك مفتاح التشغيل والإطفاء (12) واضغط عليه مجدداً.

كاتم الاهتزازات

يخفض كاتم الاهتزازات المركب الاهتزازات الناتجة.

◀ لا تستمر باستعمال العدة الكهربائية في حال تلف عنصر كاتم الاهتزازات.

تركيب لقم ربط اللوالب (انظر الصورة N)

◀ ضع العدة الكهربائية على اللولب/الصامولة فقط عندما تكون مطفأة. إن عدد الشغل الدوارة قد تنزلق.

لاستخدام لقم ربط اللوالب تحتاج إلى حامل شامل (38) مع ساق حوض SDS-plus (توابع).

- نظف طرف إدخال ساق الحوض وشحمه قليلاً.
- اغرز الحامل العام في حوض العدة أثناء إدارته إلى أن يتم إقفاله من تلقاء نفسه.
- تفحص إحكام الثبات من خلال سحب الحامل العام.
- ركب لقم ربط لولب في الحامل العام. استخدم فقط لقم ربط اللوالب التي تلائم رأس اللولب.
- لفك الحامل الشامل قم بدفع لبيسة الإقفال (5) إلى الخلف وانزع الحامل الشامل (38) من حوض العدة.

تعليق العدة الكهربائية (انظر الصورة O)

- يمكن باستخدام خطاف التعليق (13) تثبيت العدة الكهربائية في تجهيزة تعليق مناسبة.
- اضغط خطاف التعليق (13) في اتجاه المقبض اليدوي (11) لوهلة قصيرة لفك التثبيت. يخرج خطاف التعليق تلقائياً إلى الخلف.
- أدر خطاف التعليق جانباً.
- افص خطاف التعليق (13) من حيث وجود أضرار أو تشوهات.
- لا تستخدم خطاف التعليق (13) في حالة وجود أضرار أو تشوهات أو عدم ثباته بشكل جيد على العدة الكهربائية.

- تظهر في وحدة عرض جهازك الجوال كافة الخطوات الأخرى الخاصة بربط العدة الكهربائية مع جهازك الجوال.

بالارتباط مع الموديول Bluetooth® Low Energy Module GCY 42 تتوافر وظائف الربط التالية للعدة الكهربائية عن طريق تطبيق Bosch Toolbox:

- التسجيل
- تخصيص وضع العمل Favorite (القدرة والأداء)
- أوضاع ضبط العدد (على سبيل المثال وقت تشغيل شطف الغبار، بارامترات ضوء العمل)
- اختيار الحالة، إصدار بلاغات التحذير
- معلومات عامة
- الإدارة

للمعلومات حول الموديول

Bluetooth® Low Energy Module

GCY 42

اقرأ دليل الاستعمال المعني.

يضيء رمز الهاتف الذكي (28) في حالة إرسال العدة الكهربائية لمعلومة (على سبيل المثال تحذير درجة الحرارة) بواسطة تقنية Bluetooth® اللاسلكية إلى جهاز جوال.

إيقاف تفعيل وظيفة الاتصال

◀ العدة الكهربائية المزودة بموديول Bluetooth® Low Energy Module به وصلة بينية لاسلكية. تراعى قيود التشغيل المحلية، على سبيل المثال في الطائرات أو المستشفيات.

ملحوظة: لا يمكن غلق الغطاء (15) بشكل آمن إلا عند وجود الموديول Bluetooth® Low Energy Module والبطارية القرصية في العدة الكهربائية.

- لغرض إيقاف تفعيل الموديول Bluetooth® Low Energy Module أدر البطارية القرصية أو ضع عازلاً بين البطارية القرصية والموديول Bluetooth® Low Energy Module.

- قم بغلق الغطاء (15) بحيث لا تدخل أي اتساخات.

إرشادات العمل

ضبط عمق الثقب (انظر الصورة M)

باستخدام محدد العمق (21) يمكن تحديد عمق الثقب المرغوب X.

- اضغط على الزر الخاص بضبط محدد العمق (19) وقم بتركيب محدد العمق في المقبض الإضافي (20).

يجب أن تشير المزوز على محدد العمق (21) إلى الأسفل.

- حرك عدة الشغل SDS-plus حتى النهاية في حوض العدة (3) SDS-plus. قد تؤدي سهولة حركة عدة الشغل SDS-plus إلى ضبط خطأ لعمق الثقب.

- أخرج محدد العمق بحيث تكون المسافة بين رأس ريشة الثقب وطرف محدد العمق مطابقة للعمق المرغوب X.

قايض فرط التحميل

◀ تفصل قوة الدفع عن محور دوران المثقاب عندما تنقمت أو تتكلمب عدة الشغل. أمسك

◀ يجب تغيير غطاء الوقاية من الغبار التالف على الفور. وينصح أن يتم ذلك من قبل مركز خدمة العملاء.

- قم بتنظيف حاضن العدة (3) بعد كل استخدام.

خدمة العملاء واستشارات الاستخدام

يجيب مركز خدمة العملاء على الأسئلة المتعلقة بإصلاح المنتج وصيانته، بالإضافة لقطع الغيار. تجد الرسوم التفصيلية والمعلومات الخاصة بقطع الغيار في الموقع:

www.bosch-pt.com

يسر فريق Bosch لاستشارات الاستخدام مساعدتك إذا كان لديك أي استفسارات بخصوص منتجاتنا وملحقاتها.

يلزم ذكر رقم الصنف ذو الخانات العشر وفقاً للوحة صنع المنتج عند إرسال أية استفسارات أو طلبيات قطع غيار.

المغرب

Robert Bosch Morocco SARL

53, شارع الملازم محمد محروود

20300 الدار البيضاء

الهاتف: 212 5 29 31 43 27

البريد الإلكتروني: sav.outillage@ma.bosch.com

تجد المزيد من عناوين الخدمة تحت:

www.bosch-pt.com/serviceaddresses

النقل

تخضع مراكم أيونات الليثيوم الموصى بها لاشتراطات قانون المواد الخطرة. يسمح للمستخدم أن يقوم بنقل المراكم على الطرقات دون التقيد بأية شروط إضافية.

عندما يتم إرسالها عن طريق طرف آخر (مثلاً: الشحن الجوي أو شركة شحن)، يتوجب التقيد بشروط خاصة بصدد التغليف ووضع العلامات. ينبغي استشارة خبير متخصص بنقل المواد الخطيرة عندما يرغب بتحضير المركم المراد شحنه في هذه الحالة.

لا تقوم بشحن المراكم إلا إذا كان هيكلها الخارجي سليم. قم بتغطية الملامسات المكشوفة بطلاءات، و قم بتغليف المركم بحيث لا يتحرك في الطرد. يرجى أيضاً مراعاة التشريعات المحلية المتعلقة إن وجدت.

التخلص من العدة الكهربائية

يجب التخلص من العدة الكهربائية والمركم والتوابع والتغليف بطريقة صديقة للبيئة عن طريق النفايات القابلة لإعادة التصنيع.

لا تطلق العدة الكهربائية والمراكم/البطاريات ضمن النفايات المنزلية!



المراكم/البطاريات:

مراكم أيونات الليثيوم:

يرجى مراعاة الإرشادات الواردة في جزء النقل (انظر „النقل“، الصفحة 104).

- قم بتعليق العدة الكهربائية باستخدام خطاف التعليق (13) على تجهيزة تعليق ثابتة. لتجنب حدوث أضرار أو إصابات لا يجوز وضع تجهيزة التعليق في مسارات المشي أو في نطاقات العمل مباشرة.

خطاف التعليق مخصص فقط لتعليق العدة الكهربائية بما في ذلك التوابع المركبة.

- أدر خطاف التعليق (13) للخلف وحركه مع ضغط خفيف إلى الأمام وإلى أسفل في وضع الثبات عند العمل مع العدة الكهربائية.

◀ لا تستخدم خطاف التعليق (13) أبداً كوسيلة تأمين ضد السقوط.

لا تقم أبداً بتثبيت وسيلة تأمين ضد السقوط في خطاف التعليق.

تثبيت وسيلة التأمين ضد السقوط (انظر الصورة P)

ملحوظة: لتأمين العدة الكهربائية ضد السقوط ينبغي استخدام وسيلة تأمين ضد السقوط (40) مناسبة لو وزن النظام. يبلغ أقصى طول مسموح به لوسيلة التأمين ضد السقوط 1,8 متر. يلزم مراعاة نطاق التثبيت المسموح به بالعدة الكهربائية (39).

يُفضل استخدام شريط حمل مزود بعقدة منزلقة كوسيلة تأمين ضد السقوط أو وسيلة تأمين ضد السقوط مزودة بمخمد سقوط.

يلزم مراعاة تعليمات دليل استخدام وسيلة التأمين ضد السقوط (40) عند تثبيتها.

◀ قم بتثبيت الجانب المقابل لوسيلة التأمين ضد السقوط بقوة على هيكل ثابت (كمبنى أو سقالة)، ولا تقم بتثبيته أبداً على الجسم المستخدم نفسه.

يجب أن تكون وسيلة التأمين ضد السقوط قابلة للتحميل بحرية ولا يجوز تثبيتها إلا على نقطة ارتكاز ثابتة (41) وفي نطاق التثبيت المسموح به (39) بالعدة الكهربائية.

اختر نقطة ارتكاز ثابتة (41) بحيث يمكن للعدة الكهربائية أن تقع بشكل حر في وسيلة التأمين ضد السقوط في حالة سقوطها دون أن تلتف على المستخدم أو تعرضه للخطر.

لا تستخدم خطاف التعليق (13) أبداً كوسيلة تأمين ضد السقوط.

لا تقم أبداً بتثبيت وسيلة تأمين ضد السقوط في خطاف التعليق.

لا تستخدم أبداً وسيلة التأمين ضد السقوط بالعدة الكهربائية مع تركيب شاقط الغبار GDE 18V-16 أو GDE 16 Plus.

الصيانة والخدمة

الصيانة والتنظيف

◀ انزع المركم عن العدة الكهربائية قبل إجراء أي أعمال بالعدة الكهربائية (مثلاً: الصيانة، استبدال العدد وإلخ..). وأيضاً عند نقلها أو تخزينها. هناك خطر إصابة بجروح عند الضغط على مفتاح التشغيل والإطفاء بشكل غير مقصود.

◀ للعمل بشكل جيد وآمن حافظ دائماً على نظافة العدة الكهربائية وفتحات التهوية.

مناسب برای محیط باز، خطر برق گرفتگی را کم می کنند.

◀ در صورت لزوم کار با ابزار برقی در محیط و اماکن مرطوب، باید از یک کلید حفاظتی جریان خطا و نشستی زمین (کلید قطع کننده اتصال با زمین) استفاده کنید. استفاده از کلید حفاظتی جریان خطا و نشستی زمین خطر برق گرفتگی را کاهش می دهد.

رعایت ایمنی اشخاص

◀ حواس خود را خوب جمع کنید، به کار خود دقت کنید و با فکر و هوشیاری کامل با ابزار برقی کار کنید. در صورت خستگی و یا در صورتی که مواد مخدر، الکل و دارو استفاده کرده‌اید، با ابزار برقی کار نکنید. یک لحظه بی توجهی هنگام کار با ابزار برقی، میتواند جراثم های شدیدی به همراه داشته باشد.

◀ از تجهیزات ایمنی شخصی استفاده کنید. همواره از عینک ایمنی استفاده نمایید. استفاده از تجهیزات ایمنی مانند ماسک ضد گرد و غبار، کفشهای ایمنی ضد لغزش، کلاه ایمنی و گوشی محافظ متناسب با نوع کار با ابزار برقی، خطر مجروح شدن را کاهش میدهد.

◀ مواظب باشید که ابزار برقی بطور ناخواسته بکار نیفتد. قبل از وارد کردن دوشاخه دستگاه در پریز برق، اتصال آن به باتری، برداشتن آن و یا حمل دستگاه، باید دقت کنید که ابزار برقی خاموش باشد. در صورتی که هنگام حمل دستگاه انگشت شما روی دکمه قطع و وصل باشد و یا دستگاه را در حالت روشن به برق بزنید، ممکن است سوانع کاری پیش آید.

◀ قبل از روشن کردن ابزار برقی، همه ابزارهای تنظیم کننده و آپارها را از روی دستگاه بردارید. ابزار و آپارهایی که روی بخش های چرخنده دستگاه قرار دارند، میتوانند باعث ایجاد جراثم شوند.

◀ وضعیت بدن شما باید در حالت عادی قرار داشته باشد. برای کار جای مطمئنی برای خود انتخاب کرده و تعادل خود را همواره حفظ کنید. به این ترتیب میتوانید ابزار برقی را در وضعیتهای غیر منتظره بهتر تحت کنترل داشته باشید.

◀ لباس مناسب بپوشید. از پوشیدن لباسهای گشاد و حمل زینت آلات خودداری کنید. موها و لباس خود را از بخشهای در حال چرخش دستگاه دور نگه دارید. لباسهای گشاد، موی بلند و زینت آلات ممکن است در قسمتهای در حال چرخش دستگاه گیر کنند.

◀ در صورتی که تجهیزاتی برای اتصال وسائل مکش گرد و غبار و یا وسیله جمع کننده گرد و غبار ارائه شده است، باید مطمئن شوید که این وسائل درست نصب و استفاده می شوند. استفاده از وسائل مکش گرد و غبار مصونیت شما را در برابر گرد و غبار زیاده تر میکند.

◀ آشنایی با ابزار به دلیل کار کردن زیاد با آن نباید باعث سهل انگاری شما و نادیده گرفتن اصول ایمنی شود. بی دقتی ممکن است باعث بروز جراحاتی در عرض کسری از ثانیه شود.

فارسی

دستورات ایمنی

نکات ایمنی عمومی برای ابزارهای برقی

⚠ هشدار کلیه هشدارها، دستورالعملها، تصاویر و

مشخصات ارائه شده به همراه ابزار برقی را مطالعه کنید. اشتباهات ناشی از عدم رعایت این دستورات ایمنی ممکن است باعث برق گرفتگی، سوختگی و یا سایر جراثم های شدید شود.

کلیه هشدارهای ایمنی و راهنماییها را برای آینده خوب نگهداری کنید.

عبارت «ابزار برقی» در هشدارها به ابزارهایی که به پریز برق متصل میشوند (با سیم برق) و یا ابزارهای برقی باتری دار (بدون سیم برق) اشاره دارد.

ایمنی محل کار

◀ محیط کار را تمیز و روشن نگه دارید. محیطهای در هم ریخته یا تاریک احتمال بروز حادثه را افزایش میدهند.

◀ ابزار برقی را در محیطهایی که خطر انفجار وجود دارد و حاوی مایعات، گازها و بخارهای متحرکه هستند، به کار نگیرید. ابزارهای برقی چرخههایی ایجاد میکنند که میتوانند باعث آتش گرفتن گرد و غبارهای موجود در هوا شوند.

◀ هنگام کار با ابزار برقی، کودکان و سایر افراد را از دستگاه دور نگه دارید. در صورتیکه حواس شما پرت شود، ممکن است کنترل دستگاه از دست شما خارج شود.

ایمنی الکتریکی

◀ دوشاخه ابزار برقی باید با پریز برق تناسب داشته باشد. هیچگونه تغییری در دوشاخه ایجاد نکنید. مبدل دوشاخه نباید همراه با ابزار برقی دارای اتصال زمین استفاده شود. دوشاخههای اصل و تغییر داده نشده و پریزهای مناسب، خطر برق گرفتگی را کاهش میدهند.

◀ از تماس بدنی با قطعات متصل به سیم اتصال زمین مانند لوله، شوفاژ، اجاق برقی و یخچال خودداری کنید. در صورت تماس بدنی با سطوح و قطعات دارای اتصال به زمین و همچنین تماس شما با زمین، خطر برق گرفتگی افزایش می یابد.

◀ ابزارهای برقی را در معرض باران و رطوبت قرار ندهید. نفوذ آب به ابزار برقی، خطر شوک الکتریکی را افزایش میدهد.

◀ از سیم دستگاه برای مقاصد دیگر استفاده نکنید. هرگز برای حمل ابزار برقی، کشیدن آن یا خارج کردن دوشاخه از سیم دستگاه استفاده نکنید. کابل دستگاه را از حرارت، روغن، لیبهای تیز یا قطعات متحرک دور نگه دارید. کابلهای آسیب دیده و یا گره خورده خطر شوک الکتریکی را افزایش میدهند.

◀ هنگام استفاده از ابزار برقی در محیطهای باز، تنها از کابل رابطی استفاده کنید که برای محیط باز نیز مناسب باشد. کابل های رابط

شوند. ایجاد اتصالی بین دو قطب باتری (ترمینالهای باتری) میتواند باعث سوختگی و ایجاد حریق شود.

استفاده بی رویه از باتری میتواند باعث خروج مایعات از آن شود؛ از هر گونه تماس با این مایعات خودداری کنید. در صورت تماس اتفاقی با آن، دست خود و یا محل تماس را با آب بشوئید. در صورت آلوده شدن چشم با این مایع، باید به پزشک مراجعه کنید. مایع خارج شده از باتری میتواند باعث التهاب پوست و سوختگی شود.

هرگز از باتری یا ابزار آسیب دیده یا دست کاری شده استفاده نکنید. باتریهای آسیب دیده ممکن است کارکرد غیر منتظرهای داشته باشند و منجر به آتش سوزی، انفجار یا جراحت شوند.

باتری یا ابزار را در معرض آتش یا دمای زیاد قرار ندهید. قرار گرفتن در معرض آتش یا دمای بالاتر از 130 درجه سانتیگراد میتواند باعث انفجار شود.

همه راهنماییهای مربوط به شارژ را رعایت کنید و باتری یا ابزار را خارج از محدوده دمای تعریف شده در دستورات شارژ نکنید. شارژ کردن نادرست یا در دمای خارج از محدوده تعریف شده ممکن است به باتری صدمه بزند و خطر آتش سوزی را افزایش دهد.

سرویس

برای تعمیر ابزار برقی فقط به متخصصین حرفهای رجوع کنید و از قطعات یدکی اصل استفاده نمایید. این باعث خواهد شد که ایمنی دستگاه شما تضمین گردد.

هرگز باتریهای آسیب دیده را تعمیر نکنید. باتری باید تنها توسط متخصصین مجاز شرکت تعمیر شوند.

نکات ایمنی برای چکش ها

دستورالعمل های ایمنی برای انواع عملیات

از گوشی ایمنی استفاده کنید. قرار گرفتن در معرض سر و صدا، میتواند به شنوایی آسیب برساند.

از دسته کمکی، در صورتی که به همراه ابزار ارائه شده است استفاده کنید. از دست دادن کنترل بروی ابزار میتواند باعث بروز جراحت شود.

در صورت انجام کارهایی که امکان برخورد با کابل های حامل جریان برق مخفی وجود دارد، ابزار برقی را از دسته عایق بگیریید. در صورت برخورد با یک کابل حامل "جریان برق" ممکن است قسمتهای فلزی ابزار برقی حامل "جریان برق" شوند و باعث بروز شوک الکتریکی یا برق گرفتگی گردند.

دستورالعمل های ایمنی هنگام استفاده از مته های بلند در دریل های بتن کن

دریل کاری را همیشه هنگامی که نوک مته با قطعه کار در تماس است و با سرعت پایین آغاز کنید. در سرعت های بالاتر، ممکن است مته

استفاده صحیح از ابزار برقی و مراقبت از آن

از وارد کردن فشار زیاد روی دستگاه خودداری کنید. برای هر کاری، از ابزار برقی مناسب با آن استفاده کنید. بکار گرفتن ابزار برقی مناسب باعث میشود که بتوانید از توان دستگاه بهتر و با اطمینان بیشتر استفاده کنید.

در صورت ایراد در کلید قطع و وصل ابزار برقی، از دستگاه استفاده نکنید. ابزار برقی که نمی توان آنها را قطع و وصل کرد، خطرناک بوده و باید تعمیر شوند.

قبل از تنظیم ابزار برقی، تعویض متعلقات و یا کنار گذاشتن آن، دوشاخه را از برق بکشید و یا باتری آنرا خارج کنید. رعایت این اقدامات پیشگیری ایمنی از راه افتادن ناخواسته ابزار برقی جلوگیری می کند.

ابزار برقی را در صورت عدم استفاده، از دسترس کودکان دور نگه دارید و اجازه ندهید که افراد ناوارد و یا اشخاصی که این دفترچه راهنما را نخوانده اند، با این دستگاه کار کنند. قرار گرفتن ابزار برقی در دست افراد ناوارد و بی تجربه خطرناک است.

از ابزار برقی و متعلقات خوب مراقبت کنید. مواظب باشید که قسمت های متحرک دستگاه خوب کار کرده و گیر نکنند. همچنین دقت کنید که قطعات ابزار برقی شکسته و یا آسیب دیده نباشند. قطعات آسیب دیده را قبل از شروع به کار تعمیر کنید. علت بسیاری از سوانح کاری، عدم مراقبت کامل از ابزارهای برقی می باشد.

ابزار برش را تیز و تمیز نگه دارید. ابزار برشی که خوب مراقبت شده و از لبه های تیز برخوردار است، کمتر در قطعه کار گیر کرده و بهتر قابل هدایت است.

ابزار برقی، متعلقات، مته های دستگاه و غیره را مطابق دستورات این جزوه راهنما به کار گیرید و به شرایط کاری و نوع کار نیز توجه داشته باشید. استفاده از ابزار برقی برای عملیاتی به جز مقاصد در نظر گرفته شده، میتواند به بروز شرایط خطرناک منجر شود.

دستها و سطوح عایق را همواره خشک، تمیز و عاری از روغن و گریس نگه دارید. دسته های لغزنده مانع ایمنی و کنترل در کار در شرایط غیر منتظره هستند.

مراقبت و طرز استفاده از ابزارهای شارژی

باتریها را منحصراً توسط شارژرهایی که توسط سازنده توصیه شده اند، شارژ کنید. در صورتی که برای شارژ باتری، آنرا در شارژری قرار دهید که برای آن باتری ساخته نشده است، خطر آتش سوزی وجود دارد.

در ابزارهای برقی فقط از باتریهایی استفاده کنید که برای آن نوع ابزار برقی در نظر گرفته شده اند. استفاده از باتریهای متفرقه میتواند منجر به بروز جراحت و حریق گردد.

در صورت عدم استفاده از باتری باید آنرا از گیره های فلزی، سکه، کلید، میخ، پیچ و دیگر وسائل کوچک فلزی دور نگه دارید، زیرا این وسائل ممکن است باعث ایجاد اتصالی

هنگام چرخش در حالت آزاد و بدون تماس با قطعه کار کج شود و باعث وارد آمدن جراثیم گردد.

❖ **روی مته فقط بطور مستقیم فشار وارد کنید و از اعمال فشار بیش از حد خودداری نمایید.**

مته ها ممکن است خمیده و باعث اختلال یا از دست رفتن کنترل شوند و منجر به جراثیم کاربر گردند.

سایر نکات ایمنی

❖ **برای پیدا کردن لوله ها و سیم های پنهان موجود در ساختمان و محدوده کار، از یک دستگاه ردیاب مخصوص برای یافتن لوله ها و سیمهای تأسیسات استفاده کنید و یا با شرکت های کارهای تأسیسات ساختمان و خدمات مربوطه تماس بگیرید.** تماس با کابل و سیمهای برق ممکن است باعث آتشسوزی و یا برق گرفتگی شود. ایراد و آسیب دیدگی لوله گاز میتواند باعث انفجار شود. سوراخ شدن لوله آب باعث ایجاد خسارت میشود.

❖ **قبل از کنار گذاشتن ابزار برقی صبر کنید تا دستگاه بطور کامل از کار و حرکت بایستد.** ابزار ممکن است به قطعه کار گیر کرده و کنترل ابزار برقی از دست شما خارج شود.

❖ **قطعه کار را محکم کنید.** در صورتیکه قطعه کار به وسیله تجهیزات نگهدارنده و یا بوسیله گیره محکم شده باشد، قطعه کار مطمئن تر نگه داشته میشود، تا اینکه بوسیله دست نگهداشته شود.

❖ **در صورتیکه باتری آسیب دیده باشد و یا از آن بطور بی رویه استفاده شود، ممکن است از باتری بخارهایی بلند شود. باتری ممکن است آتش بگیرد یا منفجر شود.** در این حالت هوای محیط را تازه کنید؛ اگر احساس ناراحتی کردید، به پزشک مراجعه نمایید. استنشاق این بخارها ممکن است به مجاری تنفسی شما آسیب برساند.

❖ **باتری را باز نکنید.** خطر اتصال کوتاه وجود دارد.

❖ **بوسیله ی اشیاء تیز مانند میخ یا پیچگوشتی یا تأثیر نیروی خارجی ممکن است باتری آسیب ببیند.** ممکن است اتصال داخلی رخ دهد و باتری آتش گیرد، دود کند، منفجر شود یا بیش از حد داغ گردد.

❖ **از باتری قابل شارژ فقط در محصولات سازنده استفاده کنید.** فقط در این صورت از باتری در برابر بار اضافی خطرناک محافظت می شود.

❖ **باتری را در برابر حرارت، از جمله در برابر تابش مداوم خورشید و همچنین در برابر آتش، آلودگی، آب و رطوبت محفوظ بدارید.** خطر اتصالی و انفجار وجود دارد.

❖ **بلافاصله پس از کار، به هیچ وجه به ابزارهای مورد استفاده یا قطعات مجاور بدنه دست نزنید.** این موارد می توانند در حین کار خیلی داغ شده و باعث سوختگی گردند.

❖ **ابزار مورد استفاده هنگام سوراخ کاری ممکن است گیر کند. مطمئن شوید که محکم ایستاده اید و ابزار برقی را با هر دو دست**

همه دستورات ایمنی و راهنماییها را بخوانید. اشتباهات ناشی از عدم رعایت این دستورات ایمنی ممکن است باعث برقگرفتگی، سوختگی و یا سایر جراثیم های شدید شود.

به تصویرهای واقع در بخشهای اول دفترچه راهنما توجه کنید.

موارد استفاده از دستگاه

ابزار برقی برای سوراخکاری چکشی روی بتن، آجر، سنگ و نیز جهت قلم کاریهای (قلم زنی) سبک در نظر گرفته شده است. علاوه بر این برای سوراخکاری بدون ضربه روی چوب، فلز، سرامیک، پلاستیک مناسب است. ابزارهای برقی با کنترل الکترونیکی و قابلیت چرخش راست گرد و چپ گرد برای پیچکاری نیز مناسب هستند.

دادهها و تنظیمات ابزار برقی میتوانند در صورت نصب **Low Energy Module GCY 42[®] Bluetooth** بوسیله فناوری امواج **Bluetooth** بین ابزار برقی و یک دستگاه نهایی همراه منتقل شوند.

تصاویر اجزاء دستگاه

شماره گذاری تصاویر اجزاء دستگاه بر اساس شکل ابزار برقی در صفحه تصاویر است.

(1) سه نظام اتوماتیک تعویض سریع
(GBH 18V-28 CF)



- (25) نشانگر حالت های کار (User Interface)
- (26) دکمه انتخاب حالت کار (User Interface)
- (27) علامت حداکثر توان (User Interface)
- (28) علامت گوشی هوشمند (User Interface)
- (29) نشانگر وضعیت ابزار برقی (User Interface)
- (30) پیچ ایمنی برای سه نظام معمولی (GBH 18V-28 C)^(a)
- (31) سه نظام معمولی (GBH 18V-28 C)^(a)
- (32) شفت گیرنده SDS plus برای سه نظام (GBH 18V-28 C)^(a)
- (33) گیره سه نظام (GBH 18V-28 CF)
- (34) شیارهای شاخص
- (35) آچار سه نظام (GBH 18V-28 C)
- (36) بوش جلویی سه نظام اتوماتیک تعویض سریع (GBH 18V-28 CF)
- (37) رینگ نگهدارنده سه نظام اتوماتیک تعویض سریع (GBH 18V-28 CF)
- (38) نگهدارنده عمومی با شفت گیرنده SDS plus^(a)
- (39) مددوده تثبیت تجهیزات حفاظت در برابر سقوط روی ابزار برقی
- (40) تجهیزات حفاظت در برابر سقوط^(b)
- (41) پایه ثابت تجهیزات حفاظت در برابر سقوط^(b)
- (a) کلیه متعلقاتی که در تصویر و یا در متن آمده است، بطور معمول همراه دستگاه ارائه نمیشود. لیست کامل متعلقات را در برنامه متعلقات ما می یابید.
- (b) کلیه متعلقاتی که در تصویر و یا در متن آمده است، بطور معمول همراه دستگاه ارائه نمی شود و مربوط به برنامه متعلقات بوش نیستند.
- (2) سه نظام قابل تعویض SDS plus (GBH 18V-28 CF)
- (3) ابزارگیر SDS plus
- (4) کلاهک محافظت در برابر گرد و غبار
- (5) بوش قفل کننده
- (6) رینگ قفل کننده سه نظام قابل تعویض (GBH 18V-28 CF)
- (7) کاهش دهنده لرزش و ارتعاش
- (8) User Interface (رابط کاربری)
- (9) دکمه آزادسازی باتری قابل شارژ^(a)
- (10) کلید تغییر جهت چرخش
- (11) دسته (دارای روکش عایق)
- (12) کلید روشن/خاموش
- (13) قلاب آویز
- (14) باتری قابل شارژ^(a)
- (15) قاب بلوتوث
- (16) دکمه آزاد کننده قفل برای کلید توقف ضربه/چرخش
- (17) کلید توقف ضربه/چرخش
- (18) چراغ کار
- (19) دکمه تنظیم کننده عمق سوراخ
- (20) دسته کمکی (دارای روکش عایق)
- (21) خط کش تعیین عمق سوراخ
- (22) نشانگر وضعیت شارژ باتری (User Interface)
- (23) علامت پیکربندی سرعت از طریق اپلیکیشن گوشی هوشمند (User Interface)
- (24) علامت توان کاهش یافته (User Interface)

مشخصات فنی

GBH 18V-28 CF	GBH 18V-28 C	دریل چکشی شارژی	
3611 J21 0..	3 611 J20 0..		شماره فنی
●	●		کنترل سرعت
●	●		توقف چرخش
●	●		راست گرد/چپ گرد
●	-		سه نظام قابل تعویض
18	18	V=	ولتاژ نامی
0-4220	0-4220	min ⁻¹	تعداد ضربه ^(A)
3,3	3,3	J	قدرت هر ضربه مطابق استاندارد EPTA- Procedure 05:2016
			سرعت در حالت آزاد ^(A)
0-950	0-950	min ⁻¹	- راست گرد
0-950	0-950	min ⁻¹	- چپ گرد
SDS plus	SDS plus		ابزارگیر
50	50	mm	قطر گلوبی محور
			حداکثر قطر سوراخ کاری:
28	28	mm	- بتن
82	82	mm	- ساختار آجری (با مته نمونه برداری)

GBH 18V-28 CF	GBH 18V-28 C	دریل چکشی شارژی	
13	13	mm	- فولاد
30	30	mm	- چوب
3,4	3,3	kg	وزن بدون باتری قابل شارژ
3,8-4,8	3,7-4,7	kg	وزن مطابق استاندارد EPTA- Procedure 01:2014
378	349	mm	طول
225	225	mm	ارتفاع
92	92	mm	عرض
0...+35	0...+35	°C	دمای توصیه شده محیط هنگام شارژ
50+...15-	50+...15-	°C	دمای مجاز محیط هنگام کار ^(B) و هنگام انبار کردن
GBA 18V... ...ProCORE18V	GBA 18V... ...ProCORE18V		باتری های قابل شارژ سازگار
GBA 18V... ≥5.0 Ah ProCORE18V... ≥4.0 Ah	GBA 18V... ≥5.0 Ah ProCORE18V... ≥4.0 Ah		باتری های قابل شارژ توصیه شده
GAL 18... GAX 18... ...GAL 36	GAL 18... GAX 18... ...GAL 36		شارژرهای توصیه شده

(A) اندازه گیری شده در دمای 20-25 °C با باتری قابل شارژ ProCORE18V 4.0Ah
(B) توان محدود برای دمای 0 °C <

مقادیر ممکن است بسته به محصول متفاوت باشند و بستگی به شرایط استفاده و محیطی دارند. اطلاعات بیشتر را در سایت www.bosch-professional.com/wac مشاهده نمایید.

داشته باشد، توسط یک فنر در موقعیت خود نگه داشته می شود.

نشانگر وضعیت شارژ باتری

چراغهای سبز LED نشانگر وضعیت شارژ باتری، وضعیت شارژ باتری را نشان میدهند. به دلایل ایمنی، فراخوانی وضعیت شارژ باتری تنها در حالت توقف ابزار برقی ممکن است.

دکمه را جهت پدیدار شدن نشانگر وضعیت شارژ^(A) یا وضعیت شارژ فشار دهید. این کار هنگامی که باتری برداشته شده باشد نیز ممکن است. چنانچه پس از فشردن دکمه نشانگر وضعیت شارژ هیچ LED روشن نشود، باتری خراب است و باید تعویض گردد.

وضعیت شارژ باتری روی User Interface (رابط کاربری) نیز نمایش داده می شود نمایشگرهای وضعیت.

نوع باتری GBA 18V...



ظرفیت	LED
3 عدد چراغ سبز ممتد	100-60 %
2 عدد چراغ سبز ممتد	60-30 %
1 عدد چراغ سبز ممتد	30-5 %
1 عدد چراغ سبز چشمک زن	5-0 %

باتری قابل شارژ

Bosch ابزارهای برقی شارژی را هم بدون باتری قابل شارژ می فروشد. در بسته بندی می توانید دریابید که آیا باتری قابل شارژ در محتویات ارسالی ابزار برقی شما وجود دارد یا خیر.

شارژ کردن باتری قابل شارژ

◀ **تنها شارژرهای ذکر شده در مشخصات فنی را بکار برید.** تنها این دستگاه های شارژ با باتری های لیتیوم-یونی (Li-Ion) ابزار برقی شما منطبق میباشند.

نکته: باتری های قابل شارژ لیتیوم یونی به دلیل قوانین حمل و نقل بین المللی به صورت نیمه شارژ تحویل داده می شوند. برای دست یافتن به توان کامل باتری قابل شارژ، قبل از به کارگیری آن برای اولین بار، باتری را به طور کامل شارژ کنید.

نحوه قرار دادن باتری قابل شارژ

باتری شارژ شده را به داخل محفظه باتری قابل شارژ برانید تا جا بیفتد.

نحوه برداشتن باتری قابل شارژ

برای برداشتن باتری قابل شارژ، دکمه های آزادسازی باتری را فشار دهید و آن را خارج کنید. **هنگام انجام این کار از اعمال فشار خودداری کنید.**

باتری قابل شارژ دارای 2 مرحله قفل می باشد که مانع از بیرون افتادن باتری قابل شارژ در اثر فشار ناخواسته روی دکمه آزادسازی باتری می شود. تا زمانی که باتری قابل شارژ داخل ابزار برقی قرار



تعویض حالت دسته کمکی (رجوع کنید به تصویر A)

دسته کمکی (20) را می توان به دلخواه جهت بدست آمدن حالت کاری مطمئن و راحت چرخاند. - قسمت پایینی دسته کمکی (20) را در خلاف جهت چرخش عقربه‌های ساعت بچرخانید و دسته کمکی (20) را به حالت دلخواه برانید. سپس قسمت پایینی دسته کمکی (20) را در جهت چرخش عقربه‌های ساعت محکم کنید. توجه داشته باشید که تسمه مهار دسته کمکی در شیار موجود در بدنه دستگاه که برای آن در نظر گرفته شده است، فرار بگیرد.

انتخاب سه نظام و ابزارها

برای سوراخکاری چکشی و نیز قلم کاری نیاز به ابزارهای SDS-plus است که در سه نظام SDS-plus قرار گیرند.

برای سوراخ کردن بدون ضربه چوب، فلز، سرامیک و پلاستیک و همچنین برای پیچکاری، ابزار (معمولی) بدون SDS-plus (از جمله مته با شفت استوانه ای) بکار برده میشود. برای این ابزار به یک سه نظام اتوماتیک و یا سه نظام دندانان ای نیاز است.

نحوه تعویض سه نظام

قرار دادن/برداشتن سه نظام معمولی

GBH 18V-28 C

برای کار بدون SDS-plus (مانند مته با شفت استوانه ای) بایستی یک سه نظام مناسب نصب کنید (سه نظام معمولی یا سه نظام مهار سریع، متعلقات).

نصب سه نظام معمولی (رجوع کنید به تصویر B)

- شفت گیرنده (32) SDS-plus را در سه نظام معمولی (31) قرار دهید. سه نظام معمولی (31) را با پیچ ایمنی (30) قفل کنید. توجه داشته باشید که پیچ ایمنی دارای رزوه چپ می باشد.

نحوه جاگذاری سه نظام معمولی (رجوع کنید به تصویر B)

- شفت آداپتور را تمیز و قسمت انتهایی آنرا کمی چرب کنید. - شفت آداپتور سه نظام معمولی را بطور چرخان، داخل ابزارگیر قرار دهید تا اینکه بطور اتوماتیک قفل شود. - با کشیدن سه نظام معمولی، قفل بودن آن را امتحان کنید.

نحوه برداشتن سه نظام معمولی

- آداپتور قفل (5) را به عقب برانید و سه نظام معمولی (31) را چرخان بردارید.

نحوه برداشتن /قرار دادن سه نظام قابل تعویض

GBH 18V-28 CF

خارج کردن سه نظام تعویض (رجوع کنید به تصویر C)

- حلقه قفل کننده سه نظام قابل تعویض سریع (6) را به عقب بکشید، آن را در این موقعیت محکم نگه دارید و سه نظام قابل تعویض سریع مجهز به

ظرفیت	LED
5 عدد چراغ سبز ممتد	80-100 %
4 عدد چراغ سبز ممتد	60-80 %
3 عدد چراغ سبز ممتد	40-60 %
2 عدد چراغ سبز ممتد	20-40 %
1 عدد چراغ سبز ممتد	5-20 %
1 عدد چراغ سبز چشمک زن	0-5 %

توضیحات و تذکراتی برای نحوه بهینه کار با باتری

باتری را در برابر رطوبت و آب حفظ کنید. باتری را منحصراً در دمای بین -20 تا 50 درجه نگهداری کنید. بطور مثال باتری را در تابستان داخل اتومبیل نگذارید. گاهیگاه شیارهای تهویه باتری را بوسیله یک قلم موی یا برس کوچک نرم و خشک تمیز کنید. افت قابل توجه مدت زمان کارکرد باتری که تازه شارژ شده است، نمایانگر آن است که باتری فرسوده و مستعمل شده و باید تعویض شود. به نکات مربوط به نحوه از رده خارج کردن باتری توجه کنید.

نصب

قبل از انجام هر گونه کاری با ابزار برقی (از جمله سرویس، تعویض ابزار و غیره) و همچنین به هنگام حمل و نقل و یا در انبار نگهداری کردن، باتری را از داخل ابزار برقی خارج کنید. در صورت تماس اتفاقی با کلید قطع و وصل، خطر آسیب دیدگی وجود دارد.

نصب کردن Bluetooth® Low Energy Module

GCY 42

(متعلقات)

جهت دریافت اطلاعات درباره Bluetooth® Low Energy Module،

GCY 42

دفترچه راهنمای مربوطه را بخوانید.

دسته کمکی

از ابزار برقی تنها با دسته کمکی (20) استفاده کنید.

دقت کنید که دسته کمکی همیشه محکم شده باشد. در غیر اینصورت امکان از دست دادن کنترل روی ابزار برقی در حین کار وجود دارد.

تعویض ابزار سه نظام معمولی**GBH 18V-28 C****قرار دادن ابزار مورد استفاده (رجوع کنید به تصویر G)**

نکته: از ابزارهای بدون SDS-plus برای سوراخکاری چکشی یا قلم زنی استفاده نکنید! ابزارهای بدون SDS-plus و سه نظام آنها هنگام سوراخکاری چکشی و قلم زنی آسیب می بینند.

- یک سه نظام معمولی (31) را قرار دهید.
- سه نظام معمولی (31) را با چرخاندن باز کنید تا ابزار قرار گیرد. ابزار را قرار دهید.
- آچار سه نظام (35) را در سوراخ های مربوطه در سه نظام معمولی (31) قرار دهید و هماهنگ با آن ابزار را سفت کنید.
- کلید توقف ضربه/چرخش (17) را به موقعیت "سوراخکاری" بچرخانید.

برداشتن ابزار (رجوع کنید به تصویر H)

- بوش سه نظام معمولی (31) را به کمک آچار سه نظام (35) خلاف جهت عقربه های ساعت بچرخانید تا ابزار مورد استفاده خارج شود.

تعویض ابزار سه نظام قابل تعویض مهار سریع**GBH 18V-28 CF****قرار دادن ابزار مورد استفاده (رجوع کنید به تصویر I)**

نکته: از ابزارهای بدون SDS-plus برای سوراخکاری چکشی یا قلم زنی استفاده نکنید! ابزارهای بدون SDS-plus و سه نظام آنها هنگام سوراخکاری چکشی و قلم زنی آسیب می بینند.

- سه نظام قابل تعویض-مهار سریع (1) را قرار دهید.
- رینگ نگهدارنده (37) سه نظام اتوماتیک قابل تعویض سریع را محکم نگه دارید. ابزارگیر را با چرخاندن بوش جلویی (36) آنقدر باز کنید که بتوان ابزار را جا انداخت. رینگ نگهدارنده (37) را محکم بگیرید و آن را در بوش جلویی (36) با قدرت در جهت فلش بچرخانید تا صدای جا افتادن آن بطور واضح به گوش برسد.
- با کشیدن ابزار، محکم قرار گرفتن آن را امتحان کنید.

نکته: چنانچه ابزارگیر تا انتها باز شده باشد، ممکن است هنگام چرخاندن ابزارگیر یک صدای ناهنجار به گوش برسد و بسته نشود.

در این صورت بوش جلویی را یک بار در خلاف جهت حرکت عقربه ساعت بچرخانید. سپس میتوان ابزارگیر را بست.

- کلید توقف ضربه/چرخش (17) را به موقعیت "سوراخکاری" بچرخانید.

خارج کردن ابزار مورد استفاده (رجوع کنید به تصویر J)

- رینگ نگهدارنده (37) را در سه نظام اتوماتیک قابل تعویض سریع محکم نگه دارید. ابزارگیر را با چرخاندن بوش جلویی (36) در جهت فلش باز کنید تا بتوان ابزار را خارج کرد.

(2) SDS-plus یا سه نظام اتوماتیک قابل تعویض سریع (1) را به جلو بکشید.

- سه نظام تعویض را پس از برداشتن در برابر آلودگی محافظت کنید.

قرار دادن سه نظام قابل تعویض (رجوع کنید به تصویر D)

◀ فقط از تجهیزات اصل خاص این مدل استفاده کنید و همزمان به تعداد شیارهای شاخص توجه نمایید (34). فقط سه نظام قابل تعویض با دو یا سه شیار شاخص مجاز هستند.

اگر یک سه نظام قابل تعویض مناسب برای این ابزار برقی استفاده نشود، ممکن است ابزار مورد استفاده هنگام کار خراب شود.

- سه نظام قابل تعویض سریع را پیش از جاگذاری آن، تمیز و قسمت انتهایی آنرا کمی چرب کنید.

- سه نظام (2) SDS-plus یا سه نظام تعویض-مهار سریع (1) را با تمام دست بگیرید. سه نظام تعویض را به طور چرخان روی گیرنده سه نظام (33) قرار دهید تا یک صدای واضح جا افتادن به گوش برسد.

- سه نظام قابل تعویض سریع بطور خودکار قفل میشود. با کشیدن سه نظام قابل تعویض سریع، قفل بودن آن را امتحان کنید.

تعویض ابزار

درپوش حفاظتی گرد و غبار (4) از نفوذ گرد و غبار مته کاری در گیرنده ابزار در حین کار به طور عمده جلوگیری می کند. هنگام قرار دادن ابزار دقت کنید که درپوش حفاظتی گرد و غبار (4) آسیب نبیند.

◀ کلاهک محافظت در برابر گرد و غبار را در صورت آسیب دیدن فوراً عوض کنید. توصیه میشود اینکار را توسط تعمیرگاه مجاز (خدمات پس از فروش) انجام دهید.

تعویض ابزار (SDS-plus)

نحوه قرار دادن ابزار SDS plus مورد استفاده (رجوع کنید به تصویر E)

توسط سه نظام SDS-plus می توان ابزار را آسان و راحت بدون استفاده از سایر ابزارالات عوض کرد.

- **GBH 18V-28 CF**: سه نظام قابل تعویض SDS-plus را قرار دهید.

- انتهای ابزار مورد استفاده را برای جاگذاری آن تمیز کرده و آن را کمی چرب کنید.

- ابزار مورد استفاده را با چرخش در داخل ابزارگیر قرار دهید، تا خود به خود در دستگاه قفل شود.

- با کشیدن ابزار، قفل شدن آن را امتحان کنید.

ابزار SDS-plus به دلایل سیستمی آزادانه قابل حرکت است. به این ترتیب در حالت بدون بار (در حالت آزاد)، یک گردش دورانی نامنظم انجام میگیرد. این مسئله هیچگونه تأثیری بر روی دقت سوراخ کاری و سوراخ مته ندارد، زیرا مته در هنگام سوراخ کردن بطور اتوماتیک در مرکز سوراخ قرار میگیرد.

نحوه برداشتن ابزار SDS-plus (رجوع کنید به تصویر F)

- آداپتور قفل (5) را به عقب برانید و ابزار را چرخان از ابزارگیر بردارید.

موقعیت **Vario-Lock** برای تغییر موقعیت قلم کلید توقف ضربه/چرخش (17) در این موقعیت جا نمی افتد.
موقعیت قلم زنی



تنظیم جهت چرخش

با کلید تغییر جهت چرخش (10) میتوانید جهت چرخش ابزار برقی را تغییر دهید. هنگامی که کلید روشن/خاموش (12) فشرده شده است، این امر ممکن نیست.

◀ کلید تغییر جهت چرخش (10) را هنگام متوقف بودن دستگاه فعال کنید.

- جهت چرخش را برای سوراخکاری چکشی، سوراخکاری و قلم زنی همیشه بطور راست گرد تنظیم کنید.
- **راست گرد:** برای سوراخکاری و پیچکاری، کلید تغییر جهت چرخش (10) را تا انتها به چپ فشار دهید.
- **چپ گرد:** برای شل کردن یا باز کردن پیچ ها و مهره ها، کلید تغییر جهت چرخش (10) را تا انتها به راست فشار دهید.

نکته: اگر کلید تغییر جهت چرخش در وضعیت وسط قرار بگیرد، کلید روشن/خاموش قفل می گردد.

نحوه روشن و خاموش کردن

- جهت روشن کردن ابزار برقی، کلید روشن/خاموش (12) را فشار دهید.
- چراغ کار (18) هنگامی که کلید روشن/خاموش (12) نیمه فشرده یا در حالت فشرده گی کامل باشد، روشن میشود و در شرایط نامناسب نور، امکان روشن کردن محیط کار را فراهم میکند.

هنگام روشن کردن ابزار برقی برای اولین بار، ممکن است تأخیری در به حرکت درآمدن آن رخ دهد، زیرا بخش الکترونیک ابزار برقی باید ابتدا تنظیم گردد. ابزار برقی در دمای پایین بعد از مدتی توان کامل برای چکشکاری و ایجاد ضربه را به دست میآورد.

- برای **خاموش کردن** ابزار برقی، کلید روشن/خاموش (12) را رها کنید.

تنظیم تعداد چرخش/ضربه

همیشه میتوان تعداد چرخش/ضربه ابزار برقی روشن را با توجه به اینکه کلید روشن/خاموش (12) را تا کجا فشار میدهند، تنظیم کرد.

فشار کم روی کلید روشن/خاموش (12) باعث کاهش تعداد چرخش/ضربه میشود. افزایش فشار باعث افزایش تعداد چرخش/ضربه میشود. همچنین می توانید سرعت را در رابط کاربری یا هر اپلیکیشن گوشی هوشمند تنظیم کنید.

تغییر حالت قلم (Vario-Lock)

- شما می توانید قلم را در 40 حالت ها قفل کنید. به این ترتیب می توانید هر موقعیت کار بینه ای را انتخاب کنید.
- قلم را درون ابزارگیر قرار دهید.
- کلید توقف ضربه/چرخش (17) را به موقعیت "Vario-Lock" بچرخانید.

مکش گرد، براده و تراشه

گرد و غبار موادی مانند رنگ های دارای سرب، بعضی از چوب ها، مواد معدنی و فلزات میتوانند برای سلامتی مضر باشند. دست زدن و یا تنفس کردن گرد و غبار ممکن است باعث بروز آلرژی و یا بیماری مجاری تنفسی شخص استفاده کننده و یا افرادی که در آن نزدیکی میباشند، بشود.

گرد و غبارهای مخصوصی مانند گرد و غبار درخت بلوط و یا درخت راش سرطان زا هستند، بخصوص ترکیب آنها با سایر موادی که برای کار بر روی چوب (کرومات، مواد برای محافظت از چوب) بکار برده میشوند. فقط افراد متخصص مجازند با موادی که دارای آزیست میباشند کار کنند.

- حتی الامکان از یک دستگاه مکش مناسب و درخور ماده (قطعه کار) استفاده کنید.
- توجه داشته باشید که محل کار شما از تهویه هوای کافی برخوردار باشد.
- توصیه میشود از ماسک تنفسی ایمنی با درجه فیلتر P2 استفاده کنید.
- به قوانین و مقررات معتبر در کشور خود در رابطه با استفاده از مواد و قطعات کاری توجه کنید.
- ◀ **از تجمع گرد و غبار در محل کار جلوگیری کنید.** گرد و غبار می توانند به آسانی مشتعل شوند.

مکنده گرد و غبار دارای GDE 18V-16 (متعلقات) (رجوع کنید به تصویر K)

برای مکش گرد و غبار بتن و سنگ، به تجهیزات مکش گرد و غبار GDE 18V-16 (متعلقات) نیاز است. این سیستم مکنده جهت مکش گرد و غبار چوب، فلز، پلاستیک و همچنین گرد و غبارهای مضر برای سلامتی (برای مثال آزیست) مناسب نیست.

کار با دستگاه

راه اندازی

◀ توجه کنید که قاب (15) در *Bluetooth* Low Energy Module GCY 42 هنگام کار بسته باشد. بدین ترتیب از ورود گرد و غبار جلوگیری میکنید.

نحوه تنظیم نوع عملکرد

- با کلید توقف ضربه/چرخش (17) نوع عملکرد ابزار برقی را انتخاب کنید.
- جهت تعویض نوع عملکرد، دکمه آزاد کننده قفل (16) را فشار دهید و کلید توقف ضربه/چرخش (17) را به موقعیت دلخواه برانید تا به طور محسوس جا بیفتد.
- نکته:** نوع عملکرد را تنها با ابزار برقی خاموش تغییر دهید! در غیر اینصورت امکان آسیب دیدن ابزار برقی وجود دارد.

موقعیت **سوراخ کاری چکشی** در بتن یا سنگ



موقعیت **سوراخ کاری** بدون ضربه در چوب، فلز، سرامیک، پلاستیک و همچنین برای پیچ کاری



- ابزار مورد استفاده را به وضعیت دلخواه قلم زنی بچرخانید.
- کلید توقف ضربه/چرخش (17) را به موقعیت "قلم زنی" بچرخانید. ابزارگیر بدینوسیله قفل می شود.

User Interface (رجوع کنید به تصویر L)

رابط کاربری (8) برای انتخاب حالت کار و همچنین برای نشانگر وضعیت ابزار برقی استفاده می شود.

نمایشگرهای وضعیت

راه حل	معنی/دلیل	نشانگر وضعیت شارژ باتری (User Interface) (22)
-	باتری شارژ شده است	سبز (2 تا 5 خط)
باتری را زود تعویض یا شارژ کنید	باتری تقریباً خالی است	زرد (1 خط)
باتری را تعویض یا شارژ کنید	باتری خالی است	قرمز (1 خط)

راه حل	معنی/دلیل	نشانگر وضعیت ابزار برقی (29)
-	وضعیت OK	سبز
بگذارید ابزار برقی خنک شود یا باتری قابل شارژ را تعویض یا شارژ کنید	دما به وضعیت هشدار رسیده یا باتری قابل شارژ تقریباً خالی است	زرد
بگذارید ابزار برقی خنک شود یا باتری قابل شارژ را تعویض یا شارژ کنید	ابزار برقی بیش از حد داغ شده یا باتری قابل شارژ خالی است	قرمز
باتری را شارژ کنید یا از نوع توصیه شده باتری قابل شارژ استفاده نمایید	موتور بلوکه شده است، باتری قابل شارژ بسیار ضعیف است	قرمز
- ابزار برقی را خاموش و دوباره روشن کنید یا باتری قابل شارژ را خارج کرده و دوباره جاگذاری نمایید	خطای کلی	
اگر خطا همچنان به قوت خود باقی است:		
- ابزار برقی را به مرکز خدمات مشتریان ارسال نمایید		
ابزار برقی را خاموش و دوباره روشن کنید	قطع سریع فعال شده است	چراغ چشمک زن قرمز
-	ابزار برقی از طریق Bluetooth® به گوشی همراه وصل شده است یا تنظیمات منتقل می شوند	چراغ چشمک زن آبی

راه حل	معنی/دلیل	علامت گوشی هوشمند (28)
پیام ظاهر شده روی گوشی هوشمند را بخوانید	اطلاعات مهم در دسترس است (برای مثال نمایشگر هشدار دما)	سفید

نکته: در حالت کار **Favorite** عملکردهای اپلیکیشن گوشی هوشمند پیکربندی می شوند، عملکردها در حالت های کار **Auto** و **Soft** از پیش تنظیم شده اند.

انتخاب حالت کار
دکمه (26) را برای انتخاب حالت کار چند بار فشار دهید تا حالت کار مورد نظر شما روشن شود.

راه حل	معنی/دلیل	نشانگر حالت کار (25)
در حالت کار Auto ، ابزار برقی حداکثر توان را با حداکثر افزایش سرعت به دست می آورد.	عملکردها	Auto علامت حداکثر توان (27) روشن می شود

نشانگر حالت کار (25) عملکردها

در حالت کار **Favorite**، می توان قدرت و افزایش سرعت ابزار برقی را از طریق اپلیکیشن گوشی هوشمند به صورت فردی پیکربندی کرد.

Favorite علامت پیکربندی سرعت از طریق گوشی هوشمند (23) روشن می شود

در حالت کار **Soft**، توان و افزایش سرعت ابزار برقی کاهش می یابد.

Soft علامت توان کاهش یافته (24) روشن می شود

عملکرد های ارتباطی

شرایط سیستم برای استفاده از اپلیکیشن

شرایط سیستم

دستگاه همراه نهایی Android 6.0 (و بالاتر) (تبلت، گوشی هوشمند)
iOS 11 (و بالاتر)

نصب و تنظیم برنامه

برای اینکه بتوانید از عملکردهای اتصال استفاده کنید، ابتدا باید اپلیکیشن - مخصوص دستگاه نهایی - را نصب کنید.

- این اپلیکیشن را از محل های مربوطه (App-Store، Google Play Store، Apple App Store) دانلود کنید.

نکته: یک حساب کاربری در App-Store مربوطه مورد نیاز است.

نام اپلیکیشن iOS Android

Bosch Toolbox



- سپس در اپلیکیشن، منوی فرعی **MyTools** یا **Connectivity** را انتخاب کنید.

- صفحه نمایشگر دستگاه همراه نهایی شما، تمامی مراحل بعدی را جهت ارتباط ابزار برقی با دستگاه نهایی نشان می دهد.

در رابطه با ماژول **Bluetooth® Low Energy GCY 42**، عملکردهای ارتباطی زیر در **Bosch Toolbox-App** ابزار برقی موجود است:

- ثبت
- شخصی سازی حالت کار **Favorite** (توان و رفتار دستگاه)
- تنظیمات ابزار (برای مثال مدت زمان مکش گرد و غبار، پارامتر چراغ کار)
- بررسی وضعیت، اعلام پیام های هشدار
- اطلاعات کلی
- مدیریت جهت دریافت اطلاعات درباره **Bluetooth® Low Energy Module GCY 42**
- دفترچه راهنمای مربوطه را بخوانید.

اگر ابزار برقی، اطلاعاتی (برای مثال هشدار دما) را توسط فناوری رادیویی **Bluetooth®** به دستگاه همراه ارسال کند، علامت گوشی هوشمند (28) روشن میشود.

غیر فعال کردن عملکردهای ارتباطی

◀ ابزار برقی با **Bluetooth® Low Energy Module** مجهز به اتصال امواج می باشد. به محدودیتهای کار در محل مانند استفاده در هواپیما یا بیمارستان توجه کنید.

نکته: قاب (15) فقط زمانی بطور مطمئن بسته می شود که ماژول **Bluetooth® Low Energy GCY** و باتری دکمه ای درون ابزار برقی قرار گیرد.

- به منظور **غیر فعال کردن** ماژول **Bluetooth® Low Energy GCY**، باتری دکمه ای را بچرخانید یا یک عایق بین باتری دکمه ای و ماژول **Bluetooth® Low Energy GCY** قرار دهید.

- قاب (15) را ببندید تا هیچ آلودگی به داخل نفوذ نکند.

نکات کار

نحوه تنظیم عمق سوراخ (رجوع کنید به تصویر M)

با نگهدارنده عمق (21) می توان عمق سوراخکاری دلخواه **X** را تثبیت کرد.

- دکمه برای تنظیم نگهدارنده عمق (19) را فشار دهید و آن را در دسته کمکی (20) بگذارید. برآمدگی نگهدارنده عمق (21) بایستی به طرف پایین باشد.

- ابزار **SDS-plus** را تا در ابزارگیر (3) قرار دهید. حرکت آزاد ابزار **SDS-plus** ممکن است به تنظیم اشتباه عمق سوراخکاری منجر شود.

- نگهدارنده عمق را آنقدر بیرون بکشید تا فاصله بین نوک مته و نوک نگهدارنده عمق با عمق مته دلخواه **X** مطابق باشد.

کلاچ ایمنی

◀ هنگامی که مته یا ابزار دریل گیر کند، نیروی محرکه محور (شفت) مته قطع می شود.

بدلیل نیروهایی که در اینصورت ایجاد می شوند، ابزار برقی را همیشه با هر دو دست محکم نگهدارید و وضعیت ایستادن شما هم باید ثابت و مستقر باشد.

◀ در صورتیکه ابزار برقی بلوکه شود یا گیر کند، ابزار برقی را خاموش کرده و ابزار را از روی دستگاه بردارید. روشن کردن ابزار برقی در

حالیکه ابزار مته گیر کرده باشد، باعث ایجاد ارتعاش و عکس العمل های شدید گشتاور می شود.

قطع سریع (KickBack Control)



قطع سریع (KickBack Control)، کنترل بهتری را روی ابزار برقی فراهم می کند و اینگونه حفاظت کاربر را در مقایسه با ابزارهای برقی فاقد KickBack Control تأمین می کند. هنگام چرخش ناگهانی و غیر قابل پیش بینی ابزار برقی حول محور مته، ابزار برقی خاموش می شود، نشانگر قطع سریع به رنگ قرمز روشن شده و چراغ کار (18) چشمک می زند. در صورت فعال بودن قطع سریع، نشانگر وضعیت (29) به رنگ قرمز چشمک می زند.

جهت راه اندازی دوباره کلید روشن/خاموش (12) را رها کنید و آن را دوباره فشار دهید.

کاهش دهنده لرزش و ارتعاش

کاهش دهنده لرزش و ارتعاش Vibration Control کاهش مقدار لرزشهای ایجاد شده را کاهش میدهد.

چنانچه عضو کاهنده لرزش و ارتعاش ابزار برقی آسیب دیده باشد، از ابزار برقی دیگر استفاده نکنید.

قرار دادن سر پیچگوشی (رجوع کنید به تصویر N)

ابزار برقی را تنها در حالت خاموش روی پیچ و یا مهره قرار دهید. امکان لغزش ابزار در حال چرخش وجود دارد.

برای کاربری سر پیچگوشی به یک نگهدارنده اونیورسال (38) با شفت SDS-plus (متعلقات) نیاز دارید.

شفت آداپتور را تمیز و قسمت انتهایی آنرا کمی چرب کنید.

نگهدارنده یونیورسال (رابط سر پیچگوشی) را در حالت چرخان داخل ابزارگیر قرار دهید تا زمانیکه بطور اتوماتیک قفل شود.

با کشیدن رابط سر پیچگوشی، قفل بودن آنرا امتحان کنید.

یک سر پیچگوشی را داخل رابط سر پیچگوشی (نگهدارنده یونیورسال) قرار دهید. منحصراً از سر پیچگوشی های متناسب با سربکس استفاده کنید.

برای درآوردن نگهدارنده اونیورسال، بوش قفل کننده (5) را به عقب برانید و نگهدارنده اونیورسال (38) را از ابزارگیر بیرون آورید.

آویزان کردن ابزار برقی (رجوع کنید به تصویر O) یا قلاب آویز (13) می توان ابزار برقی را به تجهیزات آویز مناسب محکم کرد.

قلاب آویز (13) را کوتاه به سمت دسته (11) فشار دهید تا قفل آن باز شود. قلاب آویز به طور خودکار به سمت عقب کشیده می شود.

قلاب آویز را به کنار بچرخانید.

قلاب آویز (13) را از نظر آسیب دیدگی یا تغییر شکل بررسی کنید.

در صورت وجود آسیب، تغییر شکل یا محکم وصل نشدن قلاب آویز به ابزار برقی، از قلاب آویز (13) استفاده نکنید.

ابزار برقی را توسط قلاب آویز (13) به یک تجهیزات آویز ثابت آویزان کنید.

برای جلوگیری از آسیب دیدن یا جراحات، نباید تجهیزات آویز را در مسیر عبور و مرور یا محدوده کار نصب کرد.

قلاب آویز فقط برای آویزان کردن ابزار برقی، از جمله متعلقات نصب شده در نظر گرفته شده است.

قلاب آویز (13) را به عقب بچرخانید و هنگام کار با ابزار برقی، با اعمال فشار کم، آن را به سمت جلو و پایین در موقعیت قفل قرار دهید.

هرگز از قلاب آویز (13) به عنوان تجهیزات حفاظت از سقوط استفاده نکنید.

هرگز تجهیزات حفاظت از سقوط را به قلاب آویز وصل نکنید.

ثبیت کردن تجهیزات حفاظت در برابر سقوط (رجوع کنید به تصویر P)

نکته: برای محافظت ابزار برقی در برابر سقوط، باید از تجهیزات حفاظت در برابر سقوط متناسب با وزن سیستم (40) استفاده کرد. حداکثر طول مجاز تجهیزات حفاظت در برابر سقوط 1,8 m است. ضروری است مراقب محدوده مجاز نصب (39) روی ابزار برقی باشید.

ترجیحاً از یک تسمه محکم شده با گره قلابی شکل یا تجهیزات حفاظت در برابر سقوط دارای ضربه گیر، به عنوان تجهیزات حفاظت در برابر سقوط استفاده کنید.

هنگام نصب تجهیزات حفاظت در برابر سقوط (40) حتماً به دستورالعمل آن توجه کنید.

سمت دیگر تجهیزات حفاظت در برابر سقوط، حتماً باید به یک سازه ثابت (برای مثال ساختمان یا داربست) متصل شود و هرگز به خود کاربر وصل نگردد.

تجهیزات حفاظت در برابر سقوط باید قابلیت حرکت آزادانه داشته باشد و فقط می تواند روی نقطه اتصال ثابت (41) و در محدوده مجاز نصب (39) روی ابزار برقی محکم شود.

نقطه اتصال ثابت (41) را طوری انتخاب کنید که ابزار برقی در صورت سقوط، بدون اینکه به کاربر گیر کند یا او را به خطر بیندازد، بتواند به داخل محافظ سقوط بیفتد.

هرگز از قلاب آویز (13) به عنوان تجهیزات حفاظت در برابر سقوط استفاده نکنید.

هرگز تجهیزات حفاظت در برابر سقوط را به قلاب آویز وصل نکنید.

هرگز از تجهیزات حفاظت در برابر سقوط روی ابزار برقی با مکنده گرد و غبار نصب شده GDE 18V-16 یا GDE 16 Plus استفاده نکنید.

از رده خارج کردن دستگاه

ابزارهای برقی، باتری ها، متعلقات و بسته بندی ها، باید طبق مقررات حفظ محیط زیست از رده خارج و بازیافت شوند.

ابزار برقی و باتری ها/ باتری های قابل شارژ را داخل زباله دان خانگی نیندازید!



باتریهای شارژی/قلمی: لیتیوم-یونی:

لطفاً به تذکرات بخش (رجوع کنید به „حمل دستگاه“، صفحه 116) توجه کنید.

مراقبت و سرویس

مراقبت، تعمیر و تمیز کردن دستگاه

- ◀ قبل از انجام هر گونه کاری با ابزار برقی (از جمله سرویس، تعویض ابزار و غیره) و همچنین به هنگام حمل و نقل و یا در انبار نگهداری کردن، باتری را از داخل ابزار برقی خارج کنید. در صورت تماس اتفاقی با کلید قطع و وصل، خطر آسیب دیدگی وجود دارد.
- ◀ ابزار الکتریکی و شیارهای تهویه آنرا تمیز نگاه دارید، تا ایمنی شما در کار تضمین گردد.
- ◀ کلاهک محافظت در برابر گرد و غبار را در صورت آسیب دیدن فوراً عوض کنید. توصیه میشود این کار را از طریق تعمیرگاه مجاز (خدمات پس از فروش) انجام دهید.
- ابزارگیر (3) را پس از هر بار استفاده تمیز کنید.

خدمات و مشاوره با مشتریان

خدمات مشتری، به سؤالات شما درباره تعمیرات، سرویس و همچنین قطعات یدکی پاسخ خواهد داد. نقشه‌های سه بعدی و اطلاعات مربوط به قطعات یدکی را در تارنمای زیر میبایید:

www.bosch-pt.com

گروه مشاوره به مشتریان Bosch با کمال میل به سؤالات شما درباره محصولات و متعلقات پاسخ می دهند.

برای هرگونه سؤال و یا سفارش قطعات یدکی، حتماً شماره فنی 10 رقمی کالا را مطابق برجسب روی ابزار برقی اطلاع دهید.

ایران

روبرت بوش ایران - شرکت بوش تجارت پارس
میدان ونک، خیابان شهید خدای، خیابان آفتاب
ساختمان مادیران، شماره 3، طبقه سوم.
تهران 1994834571
تلفن: 9821+ 42039000

آدرس سایر دفاتر خدماتی را در ادامه بیابید:

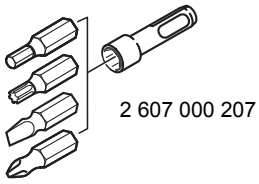
www.bosch-pt.com/serviceaddresses

حمل دستگاه

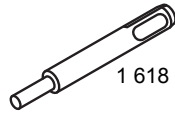
باتری های لیتیوم یونی توصیه شده، مشمول الزامات قانون کالاهای خطرناک هستند. کاربر می تواند باتری ها را بدون استفاده از روکش در خیابان حمل کند.

در صورت ارسال توسط شخص ثالث (مانند: حمل و نقل هوایی یا زمینی) باید تمهیدات مربوط به بسته بندی و علامتگذاری مورد توجه قرار گیرد. در اینصورت باید حتماً جهت آماده سازی قطعه ارسالی به کارشناس حمل کالاهای پر خطر مراجعه کرد.

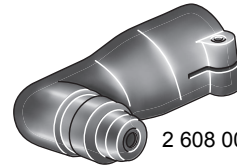
باتریها را فقط در صورتی ارسال کنید که بدنه آنها آسیب ندیده باشد. اتصالات (کتناکتهای) باز را بپوشانید و باتری را طوری بسته بندی کنید که در بسته بندی تکان نخورد. در این باره لطفاً به مقررات و آیین نامه های ملی توجه کنید.



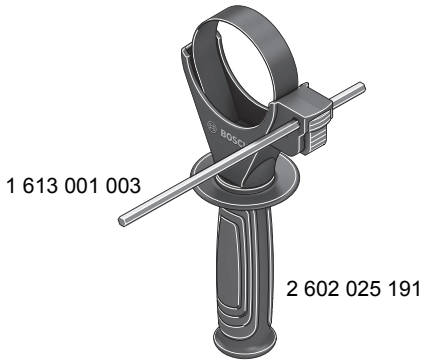
2 607 000 207



1 618 600 007



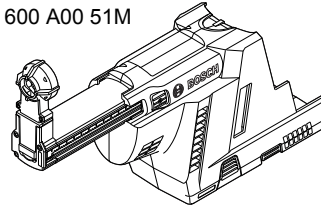
2 608 000 502



1 613 001 003

2 602 025 191

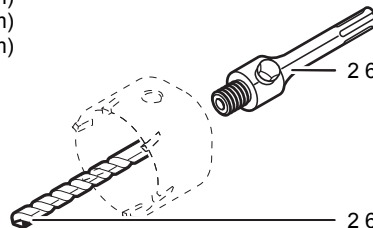
1 600 A00 51M



2 608 002 021



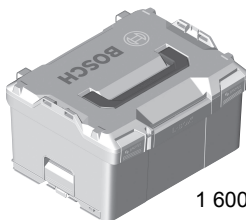
2 608 550 074 (Ø 40 mm)
2 608 550 075 (Ø 50 mm)
2 608 550 076 (Ø 68 mm)



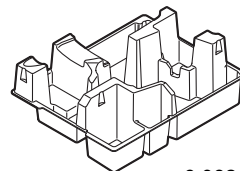
2 608 550 057

2 608 596 157
Ø 8 mm

GBH 18V-28 C + GDE 18V-16
GBH 18V-28 CF + GDE 18V-16

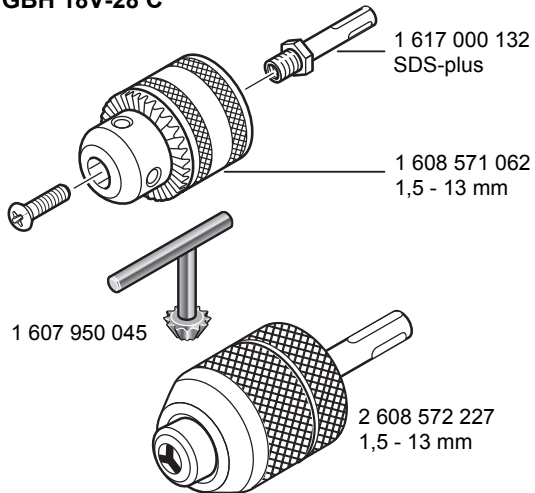


1 600 A01 2G2

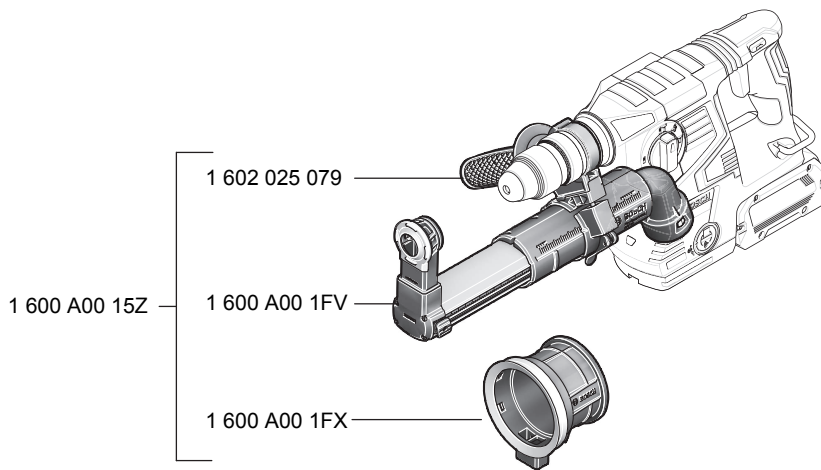


6 082 850 74J

GBH 18V-28 C



GBH 18V-28 CF



Licenses

Copyright © 2012–2020 STMicroelectronics

All rights reserved.

Redistribution and use in source and binary forms, with or without modification, are permitted provided that the following conditions are met:

- Redistributions of source code must retain the above copyright notice, this list of conditions and the following disclaimer.
- Redistributions in binary form must reproduce the above copyright notice, this list of conditions and the following disclaimer in the documentation and/or other materials provided with the distribution.
- Neither the name of STMicroelectronics nor the names of its contributors may be used to endorse or promote products derived from this software without specific prior written permission.

THIS SOFTWARE IS PROVIDED BY THE COPYRIGHT HOLDERS AND CONTRIBUTORS "AS IS" AND ANY EXPRESS OR IMPLIED WARRANTIES, INCLUDING, BUT NOT LIMITED TO, THE IMPLIED WARRANTIES OF MERCHANTABILITY AND FITNESS FOR A PARTICULAR PURPOSE ARE DISCLAIMED. IN NO EVENT SHALL THE COPYRIGHT OWNER OR CONTRIBUTORS BE LIABLE FOR ANY DIRECT, INDIRECT, INCIDENTAL, SPECIAL, EXEMPLARY, OR CONSEQUENTIAL DAMAGES (INCLUDING, BUT NOT LIMITED TO, PROCUREMENT OF SUBSTITUTE GOODS OR SERVICES; LOSS OF USE, DATA, OR PROFITS; OR BUSINESS INTERRUPTION) HOWEVER CAUSED AND ON ANY THEORY OF LIABILITY, WHETHER IN CONTRACT, STRICT LIABILITY, OR TORT (INCLUDING NEGLIGENCE OR OTHERWISE) ARISING IN ANY WAY OUT OF THE USE OF THIS SOFTWARE, EVEN IF ADVISED OF THE POSSIBILITY OF SUCH DAMAGE.

Copyright © 2009–2020 ARM LIMITED

All rights reserved.

Redistribution and use in source and binary forms, with or without modification, are permitted provided that the following conditions are met:

- Redistributions of source code must retain the above copyright notice, this list of conditions and the following disclaimer.
- Redistributions in binary form must reproduce the above copyright notice, this list of conditions and the following disclaimer in the documentation and/or other materials provided with the distribution.
- Neither the name of ARM nor the names of its contributors may be used to endorse or promote products derived from this software without specific prior written permission.

THIS SOFTWARE IS PROVIDED BY THE COPYRIGHT HOLDERS AND CONTRIBUTORS "AS IS" AND ANY EXPRESS OR IMPLIED WARRANTIES, INCLUDING, BUT NOT LIMITED TO, THE IMPLIED WARRANTIES OF MERCHANTABILITY AND FITNESS FOR A PARTICULAR PURPOSE ARE DISCLAIMED. IN NO EVENT SHALL THE COPYRIGHT OWNER OR CONTRIBUTORS BE LIABLE FOR ANY DIRECT, INDIRECT, INCIDENTAL, SPECIAL, EXEMPLARY, OR CONSEQUENTIAL DAMAGES (INCLUDING, BUT NOT LIMITED TO, PROCUREMENT OF SUBSTITUTE GOODS OR SERVICES; LOSS OF USE, DATA, OR PROFITS; OR BUSINESS INTERRUPTION) HOWEVER CAUSED AND ON ANY THEORY OF LIABILITY, WHETHER IN CONTRACT, STRICT LIABILITY, OR TORT (INCLUDING NEGLIGENCE OR OTHERWISE) ARISING IN ANY WAY OUT OF THE USE OF THIS SOFTWARE, EVEN IF ADVISED OF THE POSSIBILITY OF SUCH DAMAGE.